



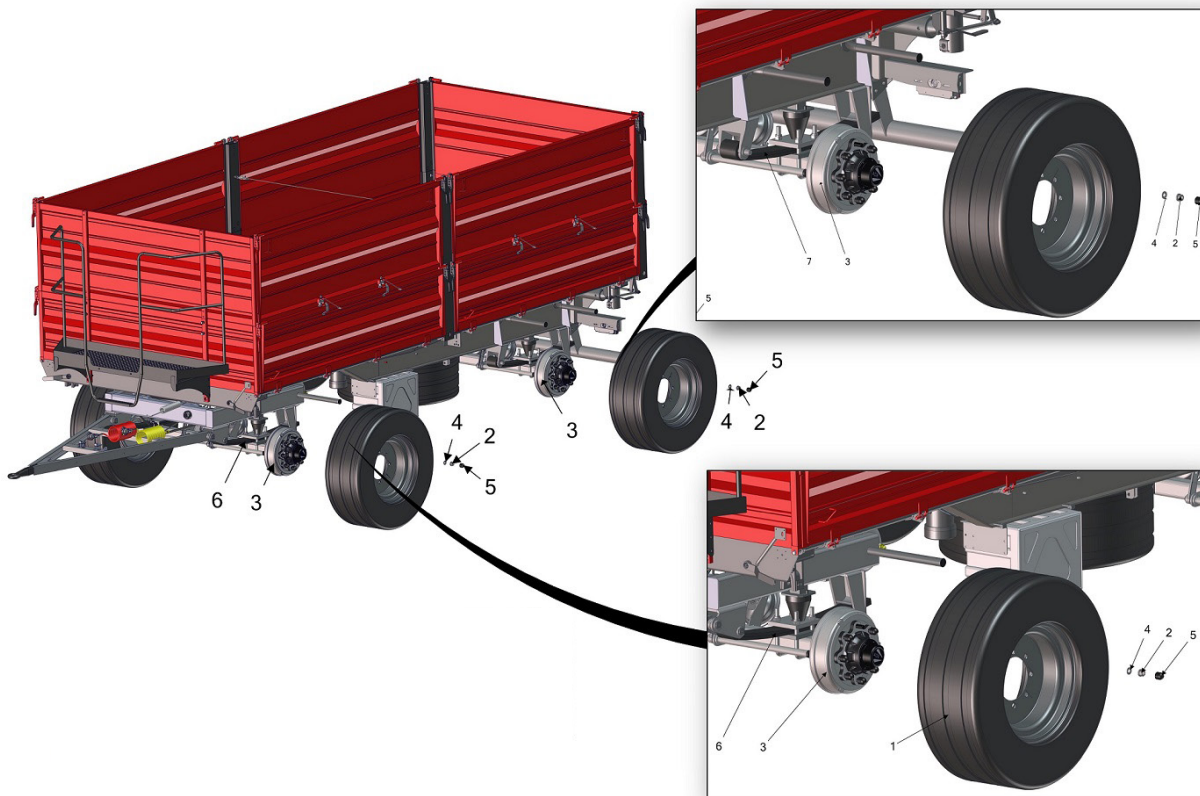


## TABLE OF CONTENTS

1.	CHASSIS FRAME AND SUSPENSION	4
2.	SPARE WHEEL CAGE	6
3.	SIDE WALLS	8
4.	DISCHARGE GATE ASSEMBLY	10
5.	SIDE WALL TOP SECTIONS	12
6.	HYDRAULIC SYSTEM	14

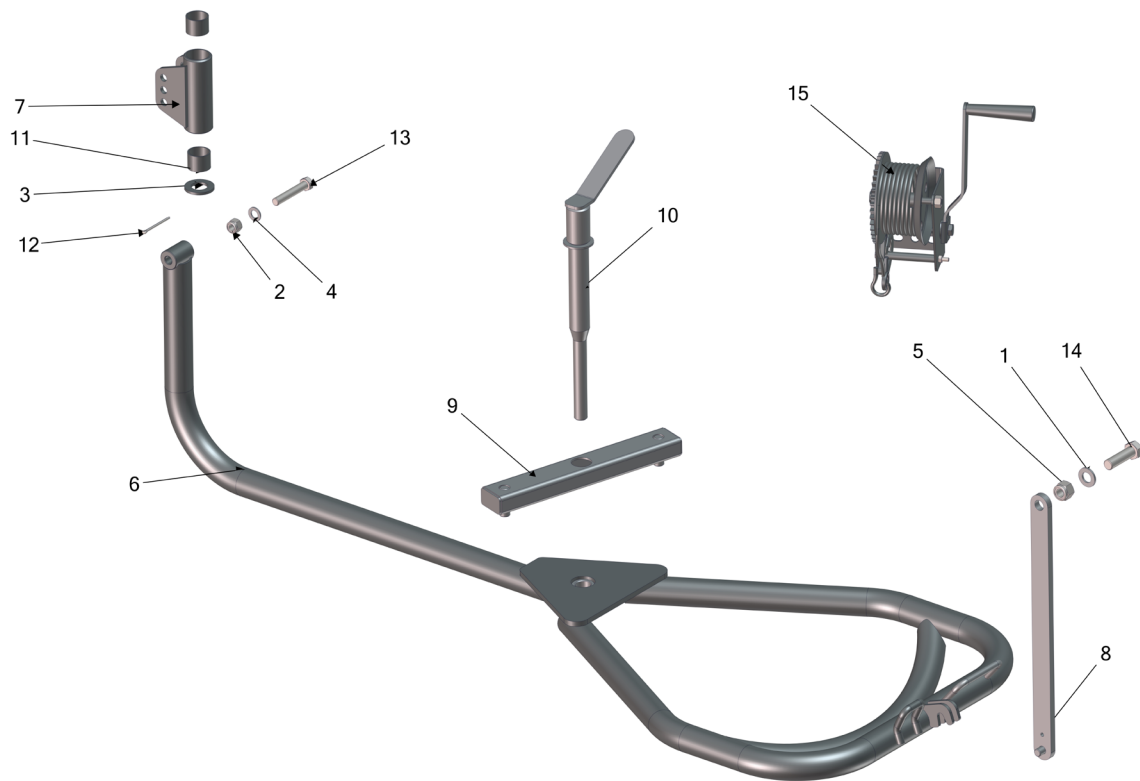
7.	BODY FRAME	16
8.	2-LINE PNEUMATIC BRAKING SYSTEM	18
9.	ELECTRICAL SYSTEM	22
10.	PLATFORM	24
11.	TARPAULIN COVER	26
12.	OPTIONAL ACCESSORIES	28

# 1. CHASSIS FRAME AND SUSPENSION



Reference	Name	Index/Description	Quantity
1	Wheel and tyre, Bandenmarkt 385-65R22.5 T739	K385/65/225-00BM	4
2	Wheel nut, M20	POD-KOS-000084	32
3	Axle, A90TN8TG0521	POD-KOS-000084	2
4	Wheel nut washer, M20	POD-KOS-000084	32
5	Cap, MS20	POD-TSZ-000146	30
6	Front suspension assembly KD1000D2N0934T	POD-KOS-000078	2
7	Rear suspension assembly KD1000D2N0934	POD-KOS-000077	2

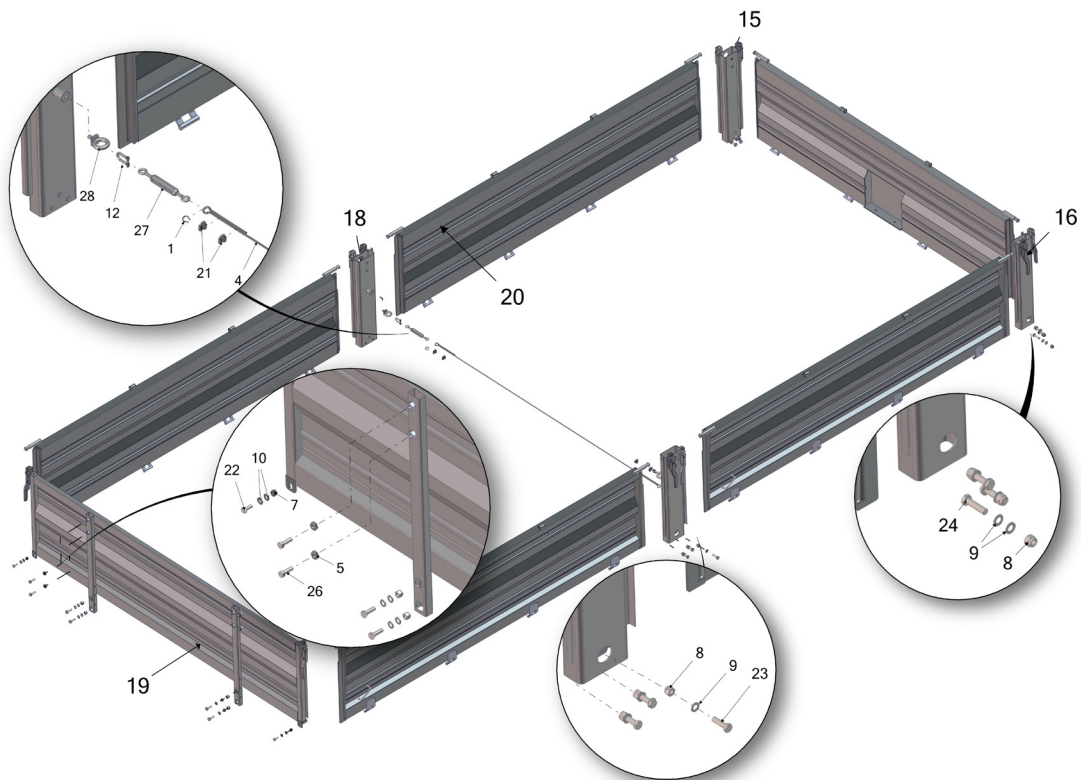
## 2. SPARE WHEEL CAGE



Reference	Name	Index/Description	Quantity
1	Round washer, 17	23P1600C	1
2	Self-locking nut, M12	23NS120C	1
3	Round washer, 25	23P240C	1
4	Round washer, 13	23P120C	1
5	Self-locking nut, M16	23NS160C	1
6	Spare wheel cage	T711-1 02.01.70	1
7	Cage hinge	T711-1 02.01.60.1	1
8	Flat bar assy	T711-1 12.02.00	1

Reference	Name	Index/Description	Quantity
9	Spare wheel clamp	T711-1 12.03.00	1
10	Spare wheel clamp lever	T711-1 12.04.00	1
11	Bushing, GSM 3034 25	POD-LOZ-000197	2
12	Cotter pin, 4x50	23Z4/50	1
13	Bolt, 12 x 70 galv. 8.8 105	POD-ELZ-000605	1
14	Bolt, M16x55	23S16/550C	1
15	Crank-operated capstan, cap. 450 kg	POD-ELZ-000656	1

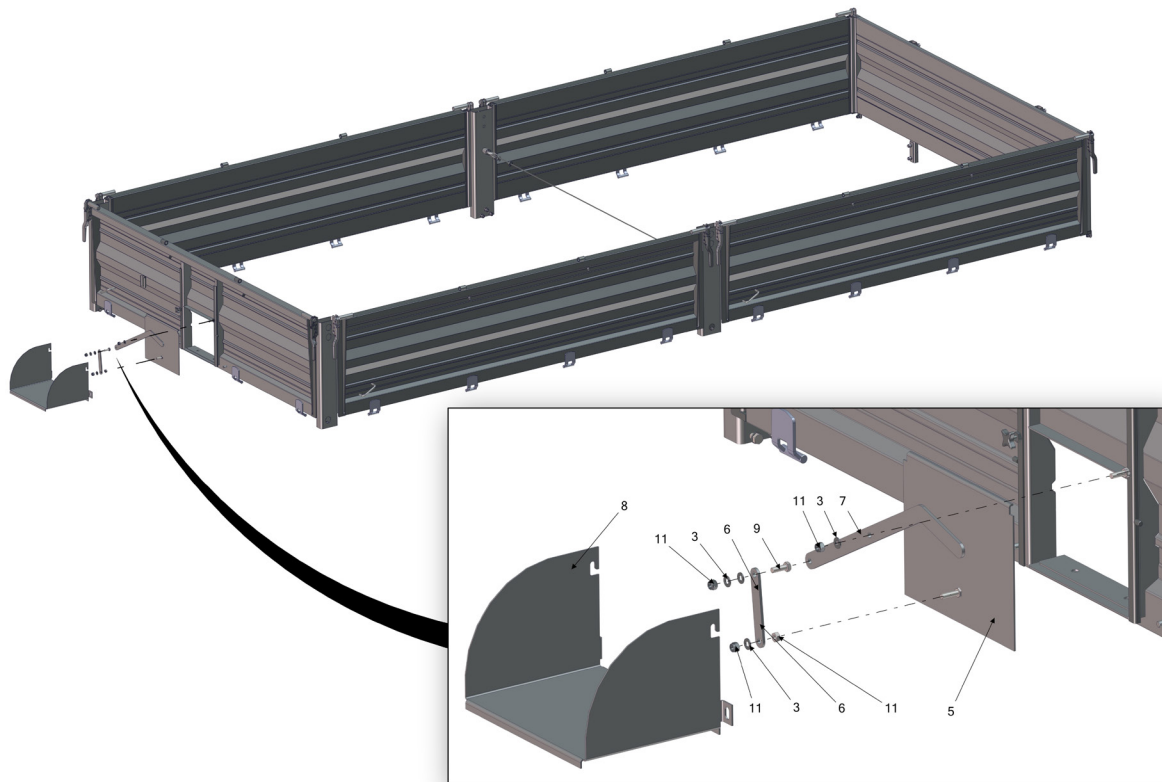
### 3. SIDE WALLS



Reference	Name	Index/Description	Quantity
1	6 mm cable ferrule	POD-ELZ-000365	2
2	Lever I	T710-1 03.06.08	1
3	Lever II	T710-1 03.06.09	1
4	Wire rope, 6 mm	23LS6	1
5	Nut M12	23N120C	4
6	Nut, M10 galv. 82144 5	23N100C	2
7	Self-retaining nut, M10	23NS100C	5
8	Self-locking nut, M12	23NS120C	16
9	Round washer, 13	23P120C	28
10	Round washer, 10.5	23P10 82005	8
11	Knob, P2M8x20	POD-OGL-000259	1
12	Shackle, 8 mm	POD-ELZ-000451	2
13	Rear gutter	T710-1 03.06.13	1
14	Rear gate, set	T710-1 03.06.20	1

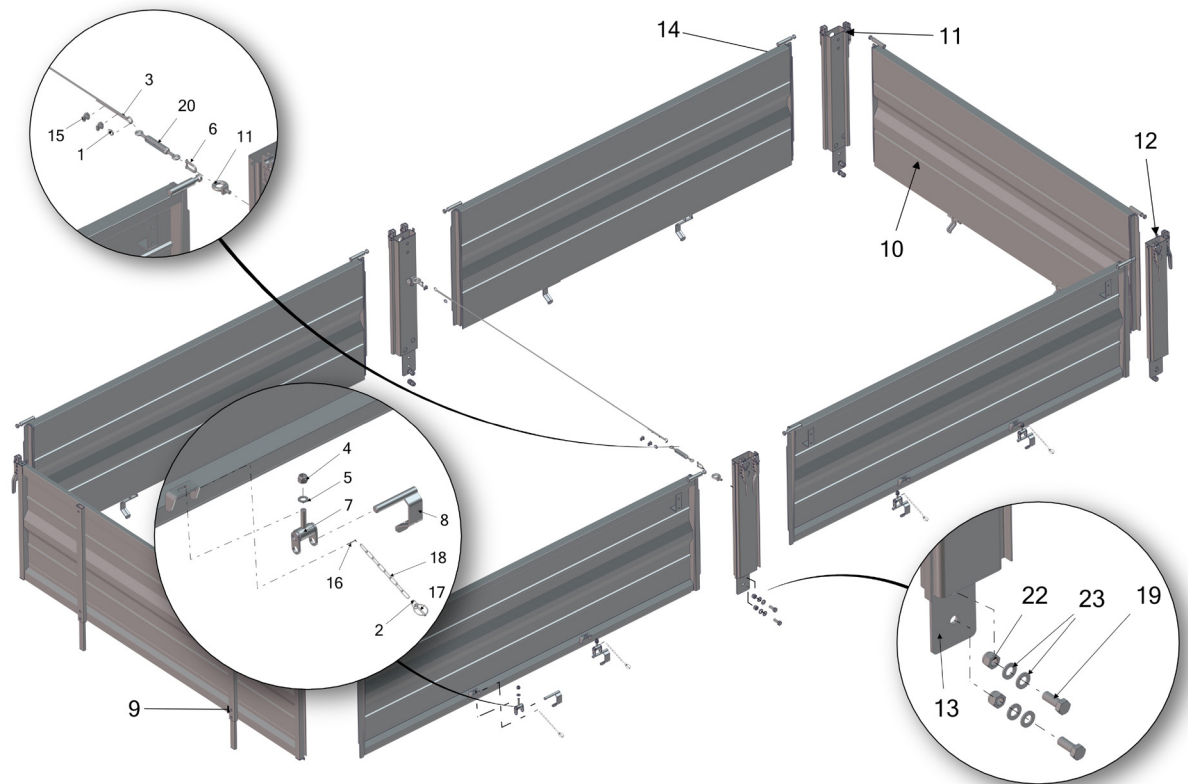
Reference	Name	Index/Description	Quantity
15	Rear right post assy, w/ gasket	T711-2 03.04.00U	1
16	Rear left post assy, w/gasket	T711-2 03.05.00U	1
17	Rear wall assy w/gasket	T711-2 03.06.00U	1
18	Mid post assy	T739 03.01.00.1	2
19	Front wall assy w/gasket, 600	T739 03.02.00	1
20	Side wall	T739 03.03.00	4
21	Rope clamp, 10 mm	POD-ELZ-000075	4
22	Bolt, 10 x 25 galv. 82105	23S10/250C 8,8	2
23	Bolt, 12 x 40 galv. 82105	23S12/400C 8,8	4
24	Bolt, 12 x 45 galv. 82105	23S12/45 8,80C.	8
25	Bolt, M10x30	23S10/30 8,8	1
26	Bolt, M12x35	23S12/350C 8,8	8
27	Tensioning bolt, M10, lug to lug	POD-ELZ-000075	1
28	Eye bolt, M12 galv. DIN580	23SU120C	2

## 4. DISCHARGE GATE ASSEMBLY



Reference	Name	Index/Description	Quantity
1	Nut, M10 galv. 82144 5	23N100C	1
2	Self-retaining nut, M10	23NS100C	3
3	Round washer, 10,5	23P10 82005	4
4	Knob, P2M8x20	POD-OGL-000259	1
5	Rear gate	T710-1 03.06.07	1
6	Lever I	T710-1 03.06.08	1
7	Lever II	T710-1 03.06.09	1
8	Rear gutter	T710-1 03.06.13	1
9	Bolt, M10x30	23S10/30 8,8	1

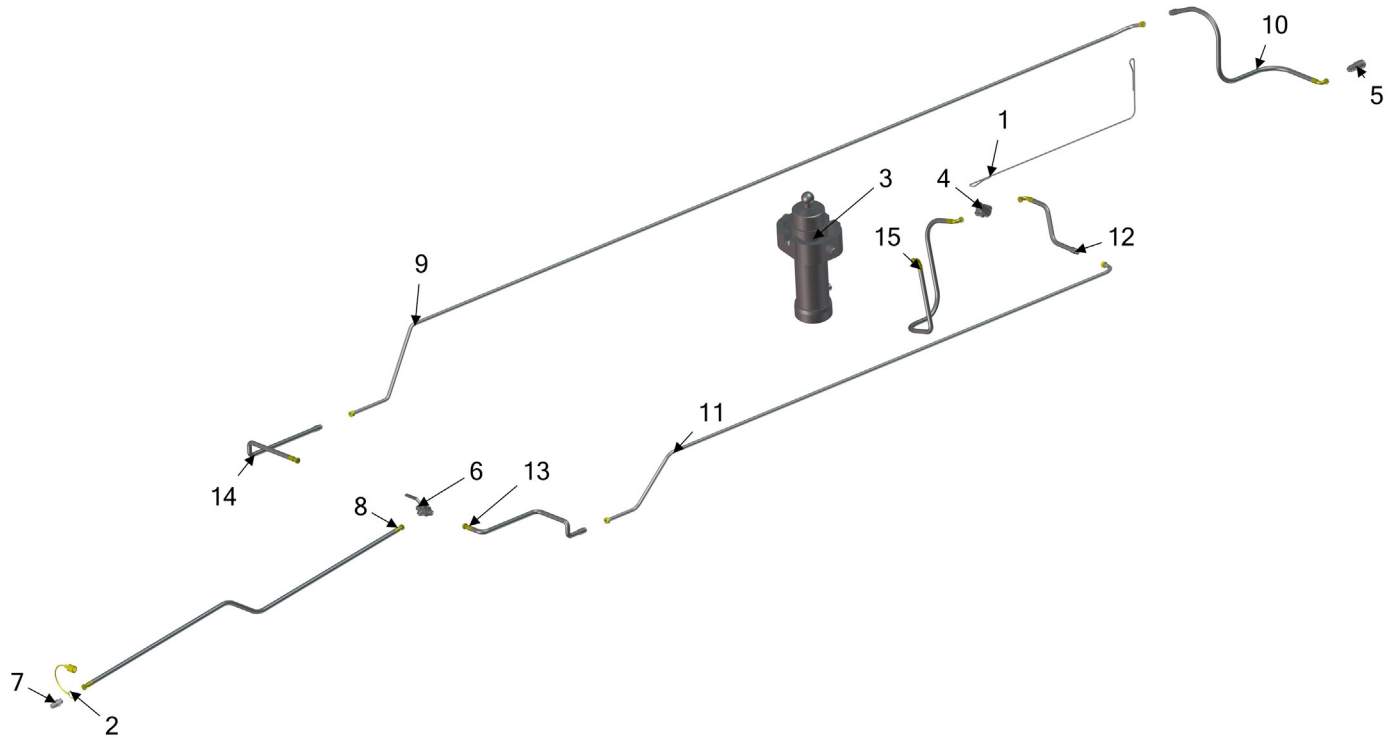
## 5. SIDE WALL TOP SECTIONS



Reference	Name	Index/Description	Quantity
1	6 mm cable ferrule	POD-ELZ-000365	2
2	Key ring	23KK	10
3	Wire rope, 6 mm	23LS6	1
4	Self-locking nut, M12	23NS120C	10
5	Round washer, 13	23P120C	10
6	Shackle, 8 mm	POD-ELZ-000451	2
7	Top section hinge	T710-1 03.14.00	10
8	Lock assy	T710-1 03.16.00	10
9	Front top section assy w/ gasket	T711-3 03.08.00U	1
10	Rear top section assy w/ gasket	T711-3 03.09.00U	1
11	Top section right post assy, w/gasket	T711-3 03.12.00U	1
12	Top section left post assy, w/gasket	T711-3 03.13.00U	1

Reference	Name	Index/Description	Quantity
13	Top section mid post assy	T739 04.01.00	2
14	Side wall top section	T739 04.03.00	4
15	Rope clamp, 10 mm	POD-ELZ-000075	4
16	Cotter pin, 2.5x28 galv.	23Z2,5/280C.	10
17	Cotter pin w/ring, 4.5 mm	POD-ELZ-000444	10
18	Coupling chain, Ø 2 m	25LS	10
19	Bolt, M16x40	23S16/40 8,80C	8
20	Tensioning bolt, M10, lug to lug	POD-ELZ-000076	1
21	Eye bolt, M12 galv. DIN580	23SU120C	2
22	Self-locking nut, M16	23NS160C	8
23	Round washer, 17	23P1600C	13

## 6. HYDRAULIC SYSTEM

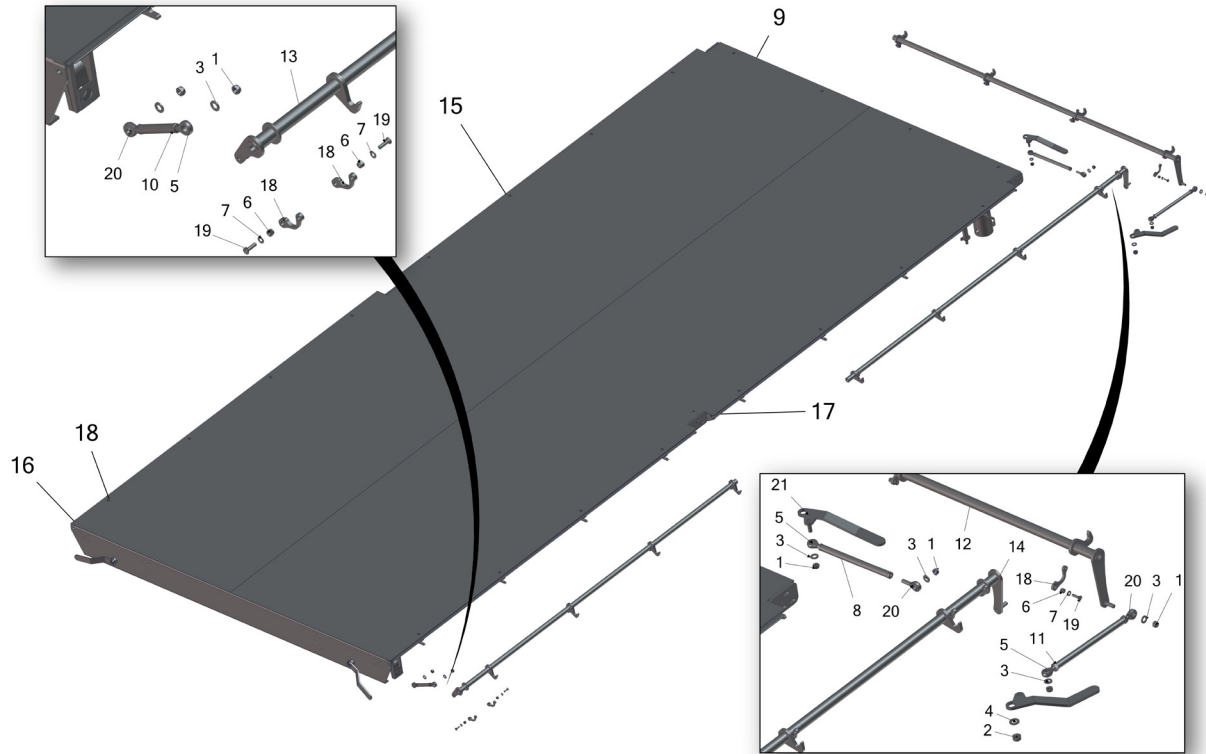


Reference	Name	Index/Description	Quantity
1	Tipping control cable, T755	23LS6	1
2	Valve plug cap	24ZWE13	1
3	Hydraulic cylinder UMB 169-6-2260-K258-50-3/4" HC with cradle (73104041)	POD-HSL-000196	1
4	Trailer system cut-off valve, PISTER M22x1.5 15L	POD-HZW-000018-1	1
5	Euro 13 valve socket M22x1.5 long	POD-HZW-000040	1
6	Three-way ball valve, RS3L15L M22x1.5	POD-HZW-000041	1
7	Quick-release coupling, M22 24ZWE13	24ZWE13	1
8	T739 line I	P11P15/233/13 L=3300	1

Odnosnik	Nazwa	Indeks/Opis	Ilość
9	T739 line V	POD-HPR-000440	1
10	T739 line VI	P11P21/233/13 L=460	1
11	T739 line VII	POD-HPR-000440	1
12	T739 line VIII	P12P21/233/13 L=400	1
13	T739 line III	P21P15/233/13 L=1190	1
14	T739 line IV	P21P15/233/13 L=1190	1
15	T739 line IX	P12P12/233/13 L=890 K180	1

Hydraulic line kit: POD-HPR-000440

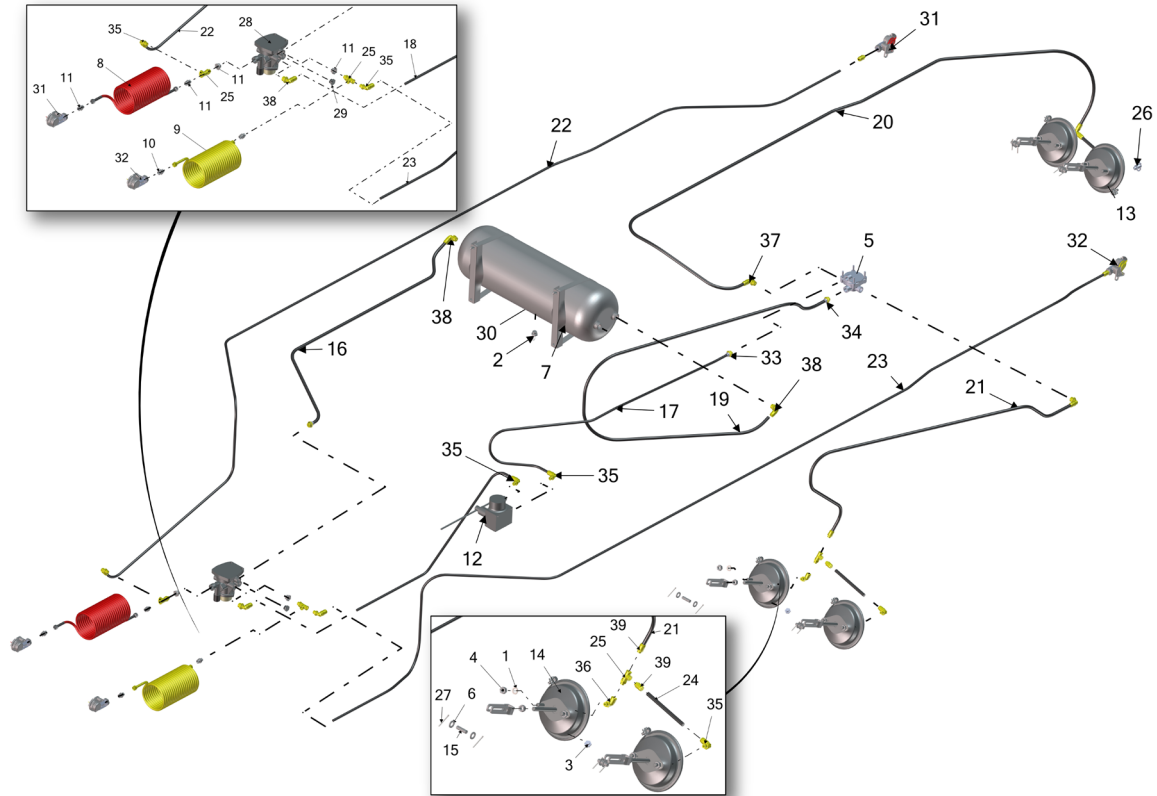
## 7. BODY FRAME



Reference	Name	Index/Description	Quantity
1	Self-retaining nut, M12 galv. 82175 8	23NS120C	10
2	Self-retaining nut, M16 galv. 82175 8	23NS160C	1
3	Round washer, 12 galv. 82005	23P120C	10
4	Round washer, 16 galv. 82005	23P1600C	1
5	Head, SA12-TK	POD-LOZ-000216	5
6	Self-locking nut, M8	23NS80C	24
7	Round washer, 8,4	23P800C	24
8	Rear link assy	T739 00.20.00	2
9	Rear hinge lever	T739 00.30.00	2
10	Front link assy	T739 00.40.00	2
11	Rear link assy	T739 00.60.00	1

Reference	Name	Index/Description	Quantity
12	Rear latch assy	T739 02.01.00	1
13	Front left latch assy	T739 02.02.00	1
14	Rear left latch assy	T739 02.03.00	1
15	Rear right latch assy	T739 02.04.00	1
16	Front right latch assy	T739 02.05.00	1
17	Top frame	T739 20.01.00	1
18	Side wall closure pipe bracket	T940 03.00.05.1	24
19	Hex socket countersunk screw, M8x30 ISO 2180	POD-ELZ-000412	24
20	Head, SAL12-TK	POD-LOZ-000217	5
21	Rear hinge lever	T739 00.70.00	1

## 8. 2-LINE PNEUMATIC BRAKING SYSTEM



Reference	Name	Index/Description	Quantity
1	Spring washer, 16.3 82008	23P16SP	8
2	Drain valve, 83 10 011 0	23Z0DW.	1
3	Plug, M16x1.5	POD-PZŁ-000036	3
4	Nut M16	POD-OGL-000626	12
5	Relay valve, Knorr AC574AY	POD-OGL-000850	1
6	Round washer, 17	23P1600C	8
7	Tank base plate w/strap, Knorr Ø 276	POD-OGL-000633	2
8	12 mm spiral line, red	7638820	1
9	12 mm spiral line, yellow, Knorr	7638720	1
10	Reducer coupling, M18xM16	POD-PZŁ-000009	4
11	Reducer coupling, M22xM16	POD-PZŁ-000062	2
12	Braking force controller, ALB Knorr SEB00933	POD-OGL-000851	1
13	Pneumatic diaphragm actuator, 30, Knorr, long fork	POD-OGL-000720	2
14	Pneumatic diaphragm actuator, 30, Knorr, short fork	POD-OGL-000639	2
15	Actuator fork pin	POD-OGL-000626	4

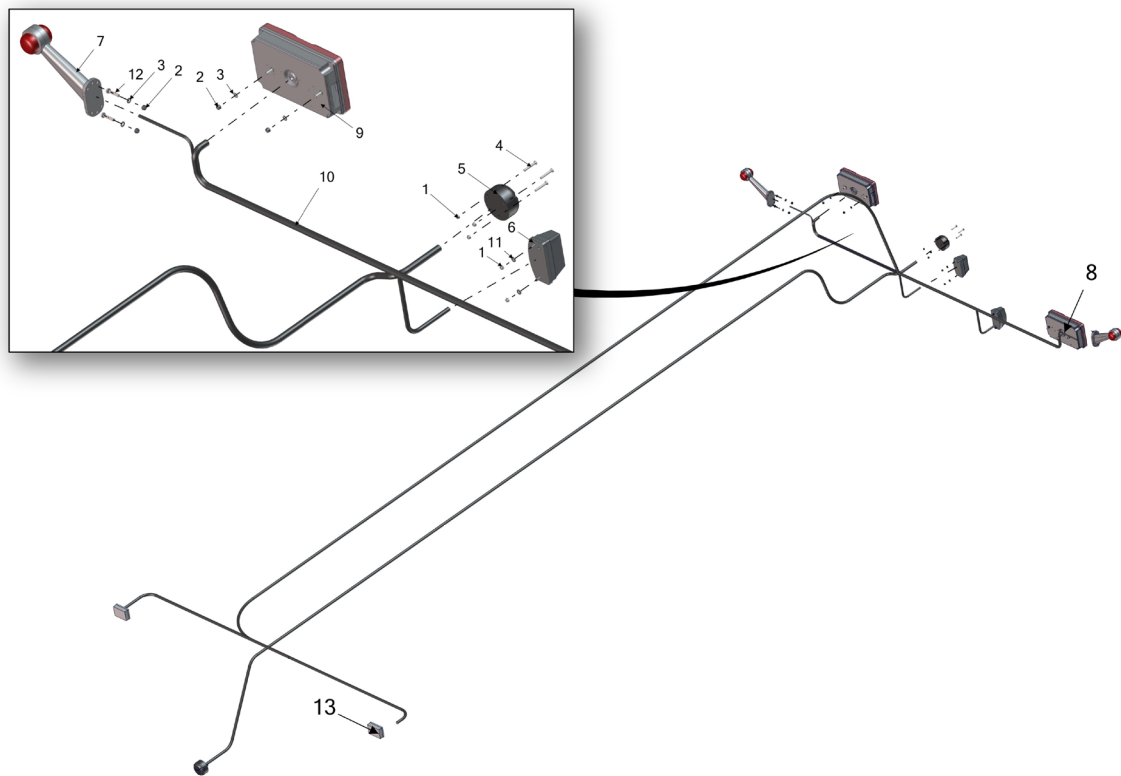
Reference	Name	Index/Description	Quantity
16	T739 pneumatic line I	Tekalan 15x1,5	1
17	T739 pneumatic line II	Tekalan 12x1,5	1
18	T739 pneumatic line III	Tekalan 12x1,5	1
19	T739 pneumatic line IV	Tekalan 15x1,5	1
20	T739 pneumatic line IX	Tekalan 12x1,5	1
21	T739 pneumatic line V	Tekalan 12x1,5	1
22	T739 pneumatic line VI	Tekalan 12x1,5	1
23	T739 pneumatic line VII	Tekalan 12x1,5	1
24	T739 pneumatic line VIII	Tekalan 12x1,5	2
25	Tee, asymmetrical, 3xM16	POD-PZŁ-000070	4
26	Check connector, M16x1.5	POD-PZŁ-000039	1
27	Cotter pin, 4x50	23Z4/50	8
28	Trailer brake valve w/release, two-line type, Knorr	POD-OGL-000630	1
29	Stop plug, M22	24K22/1,5	1
30	Air tank, 60L Ø276 Knorr	POD-OGL-000632	1



Reference	Name	Index/Description	Quantity
31	Brake line connector, red, Knorr	K000952	2
32	Brake line connector, yellow, Knorr	K000954	2
33	Straight coupling, Tekalan 12_M22	POD-PZŁ-000007	1
34	Straight coupling, Tekalan 15_M22	POD-PZŁ-000008	2
35	Elbow, M16x1.5, Tekalan 12 03230512162	POD-HKR-000109	6

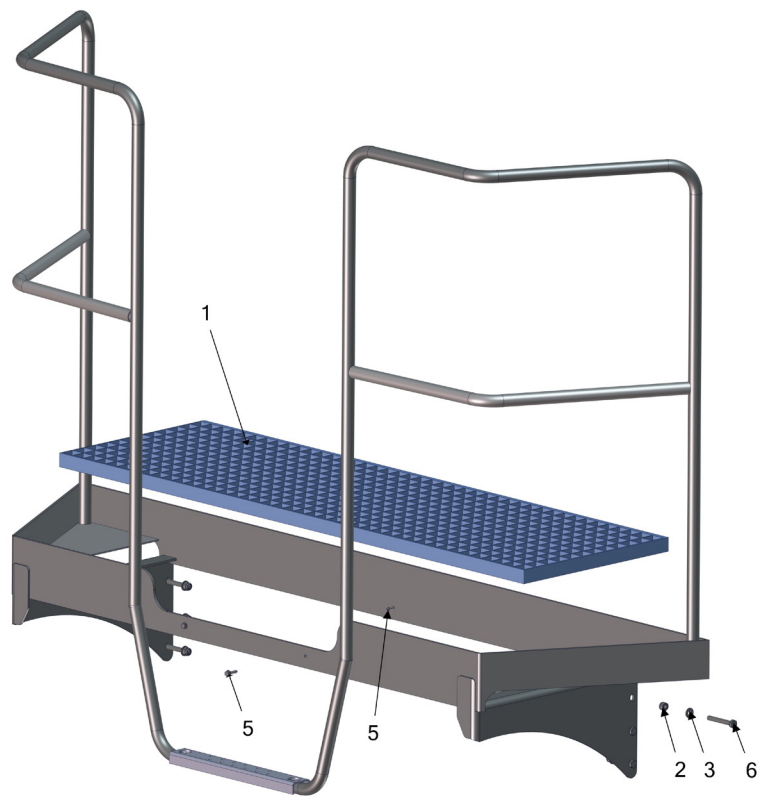
Reference	Name	Index/Description	Quantity
36	Elbow, M16x1.5 w/M16 socket	POD-PZŁ-000077	2
37	Elbow, M22x1.5, Tekalan 12	24KPKN22X1,5	2
38	Elbow, M22x1.5, Tekalan 15	24KPKN22X1,5	3
39	Straight coupling, M16x12 mm 03280096000	POD-PZŁ-000006	6

## 9. ELECTRICAL SYSTEM



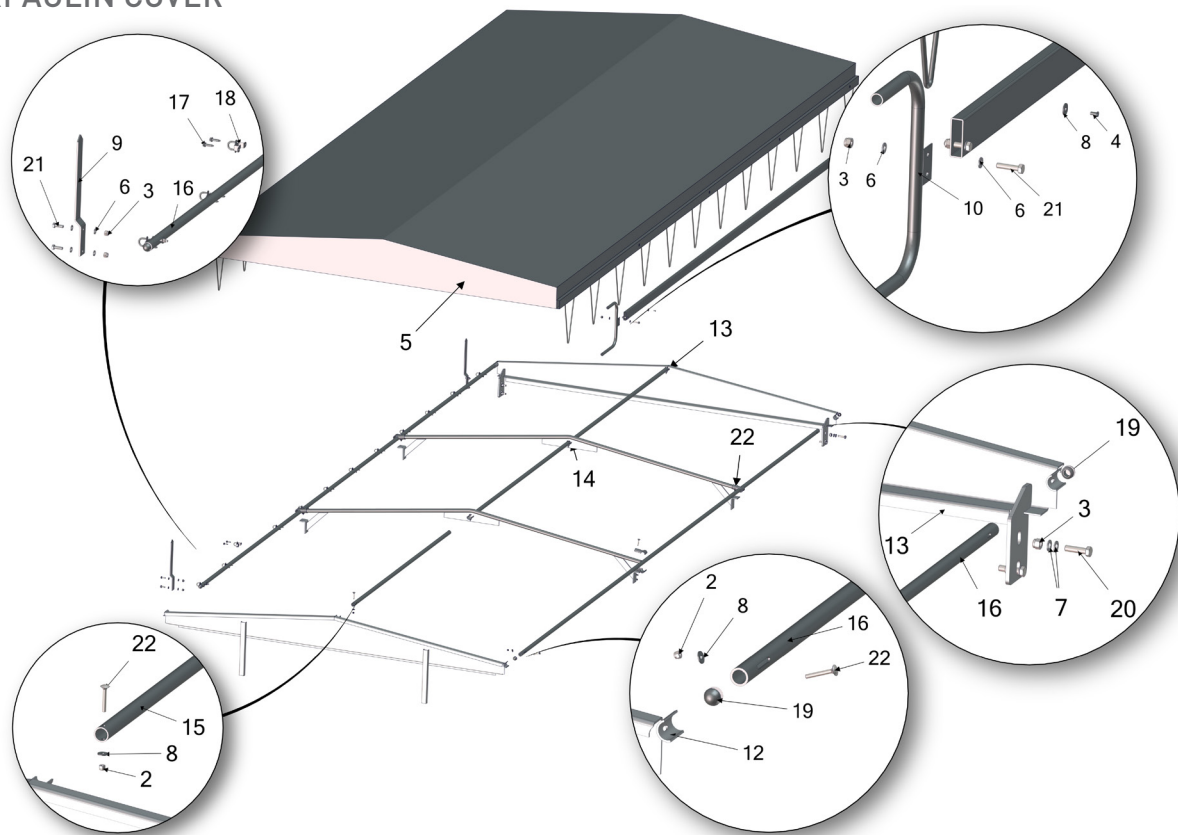
Reference	Name	Index/Description	Quantity
1	Self-retaining nut, M5 galv. 82175 8	23NS50C	10
2	Self-retaining nut, M6 galv. 82175 8	23NS60C	8
3	Round washer, 6 galv. 82005	23P600C	8
4	Screw 5x35 galv.	23W5/35	6
5	7-pin socket	POD-ELK-000234	2
6	Lamp, W08-48, license plate light	POD-ELK-000237	2
7	Lamp cluster, marker, F-T W21.3-263z	POD-ELK-000238	2
8	Lamp cluster, tail, W70L-387b2 w/o reverse or fog light	POD-ELK-000248	1
9	Lamp cluster, tail, W70P w/o reverse or fog light	POD-ELK-000249	1
10	T739 14 T wiring harness, bottom	POD-ELK-000234	1
11	Round washer, 6 galv. 82005	23P600C	4
12	Bolt, 6 x 30 galv. 82105	23S6/30 8.8 821050C	4
13	Marker lamp, front W15-82z	POD-ELK-000239	2

## 10. PLATFORM



Reference	Name	Index/Description	Quantity
1	Flooring grate, 30x2x420x1390 galv., for T711	POD-OGL-000420	1
2	Self-retaining nut, M10	23NS100C	6
3	Round washer, 10.5	23P10	6
5	Self-tap screw, 6.3x25 galv., wrench flats head	28W6,3X25 OC	3
6	Bolt, M10x70	23S10/70	6

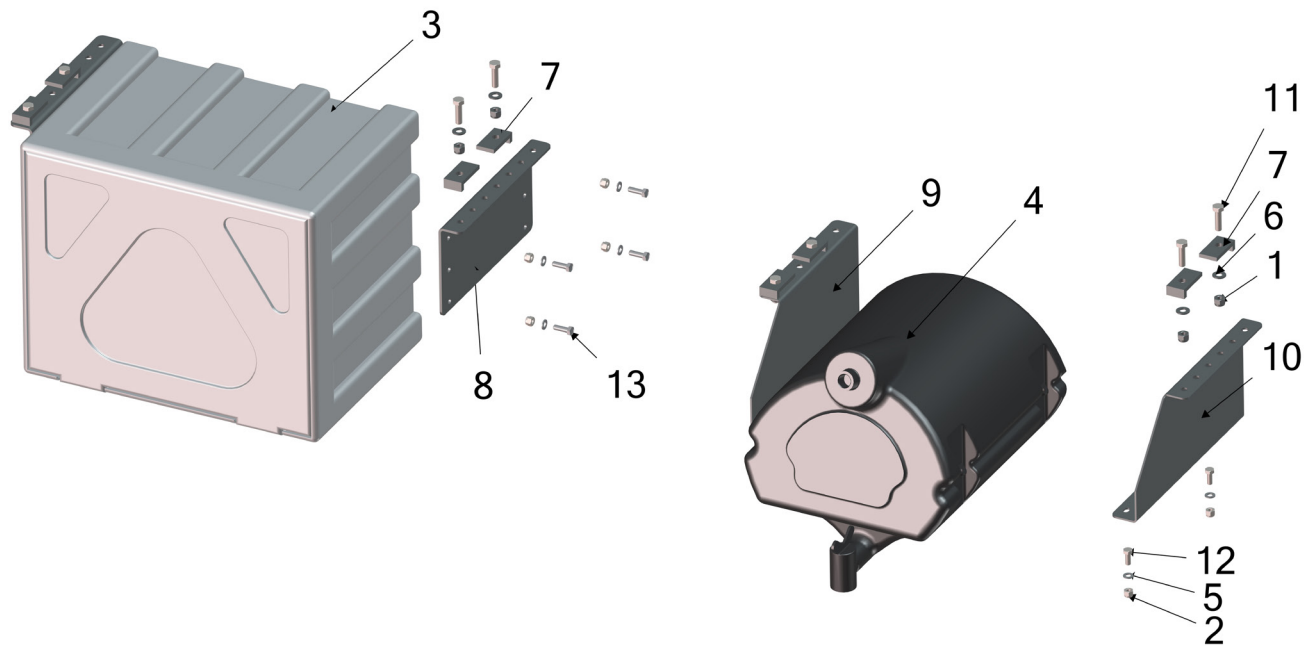
## 11. TARPAULIN COVER



Reference	Name	Index/Description	Quantity
1	Aluminium former, 60x20x2 PA38	HUT-KSZ-000234	1
2	Self-retaining nut, M6	23NS60C	12
3	Self-locking nut, M8	23NS80C	10
4	Pop rivet, Al-steel, 5x10	POD-ELZ-000652	5
5	T755 tarpaulin sheet	POD-OST-000226	1
6	Round washer, 8.4	23P800C	12
7	Round washer, 13	23P120C	8
8	Round washer, 6.5 galv. 82030	23P60C030	17
9	Tarpaulin sheet stop	T710 11.00.03	2
10	Winder lever	T710 11.08.00	1
11	Frame mid beam holder	T710-1 11.00.02	8
12	Front canopy	T711-1 11.01.00.1	1
13	Rear canopy	T711-1 11.02.00.1	1

Reference	Name	Index/Description	Quantity
14	Rack bracket	T711-1 11.04.00	2
15	Long pipe	T739 11.00.01.1	3
16	Fastener tube	T739 11.05.01.1	2
17	Self-tap screw, 6.3x25 galv., wrench flats head	28W6,3X25 0C	24
18	Tarpaulin lock clasp, side wall holder	POD-OGL-000397	12
19	Round plug, 25 mm, black	POD-TSZ-000087	4
20	Bolt, 12 x 45 galv. 82105	23S12/45 8,80C.	4
21	Bolt, M8x25	23S8/25 8.8	6
22	Neck bolt, M6x45	POD-ELZ-000596	12
23	Self-locking nut, M12	23NS120C	4
24	Bolt, M8x35	23S8/350C 8,8	2

## 12. OPTIONAL ACCESSORIES



Reference	Name	Index/Description	Quantity
1	Self-retaining nut, M10	23NS100C	8
2	Self-locking nut, M8	23NS80C	12
3	Toolbox, 500x400x350 mm	POD-OGL-000164	1
4	Water tank	POD-OGL-000176	1
5	Round washer, 8.4	23P800C	12
6	Round washer, 10.5	23P10	8
7	Clip	T739 00.00.02	8

Reference	Name	Index/Description	Quantity
8	Box bracket	T739 00.00.03.1	2
9	Tank bracket, left-hand	T739 00.00.05.2	1
10	Tank bracket, right-hand	T739 00.00.06.2	1
11	Bolt, M10x35	23S10/35	8
12	Bolt, M8x20	23S8/200C 8,8	4
13	Bolt, M8x25	23S8/25 8,8	8

SALES

**METAL-FACH®**

16-100 Sokółka, ul. Kresowa 62,  
tel.: +48 85 711 07 88, fax: +48 85 711 07 89  
handel@metalfach.com.pl

TECHNICAL  
SERVICE

**METAL-FACH®**

16-100 Sokółka, ul. Kresowa 62,  
tel.: +48 85 711 07 80, fax: +48 85 711 07 93,  
serwis@metalfach.com.pl

WHOLESALE, SPARE PARTS

**METAL-FACH®**

16-100 Sokółka, ul. Kresowa 62,  
tel.: +48 85 711 07 81, fax: +48 85 711 07 93,  
hurtownia@metalfach.com.pl

**METAL-FACH®**

„METAL-FACH” SP. Z O. O.; UL. KRESOWA 62; 16-100 SOKÓŁKA