



METAL-FACH



**MANURE SPREADER
“TAURUS”**

N272/1, N272/2

PARTS CATALOGUE

REV. III

April 2025



The information included in the catalogue is valid as of the date of its preparation. The manufacturer reserves its right to make design changes to machines, and due to this, some values or illustrations might not correspond to the actual state of the machine supplied to the user. The manufacturer reserves its right to make design changes without changing this catalogue.

Contents

1. HITCH AND SUPPORT FOOT.....	8
2. FRAME AND BODY (WHEEL CHOCKS).....	14
3. FRAME AND BODY (MUDGUARDS).....	16
4. FRAME AND BODY (MUDGUARDS).....	18
5. SHELL AND FRONT GATE.....	20
6. LADDER AND PANEL ENDS.....	22
7. FOLDING LADDER.....	24
8. INSTALLATION OF AN INSPECTION WINDOW.....	28
9. FRONT EXTENSION AND SIDE NET EXTENSIONS.....	30
10. REAR TAILGATE.....	34
11. LEFT AUGER OF THE 2-ROTOR VERTICAL ADAPTER.....	36
12. 2-ROTOR VERTICAL ADAPTER	38
13. LEFT AUGER OF THE 2-ROTOR ADAPTER N272 10.00.00.2B (NEW)	42
14. 2-ROTOR ADAPTER N272 10.00.00.2B (NEW)	44
15. AUGER OF THE 4-ROTOR VERTICAL ADAPTER.....	48
16. 4-ROTOR VERTICAL ADAPTER	50

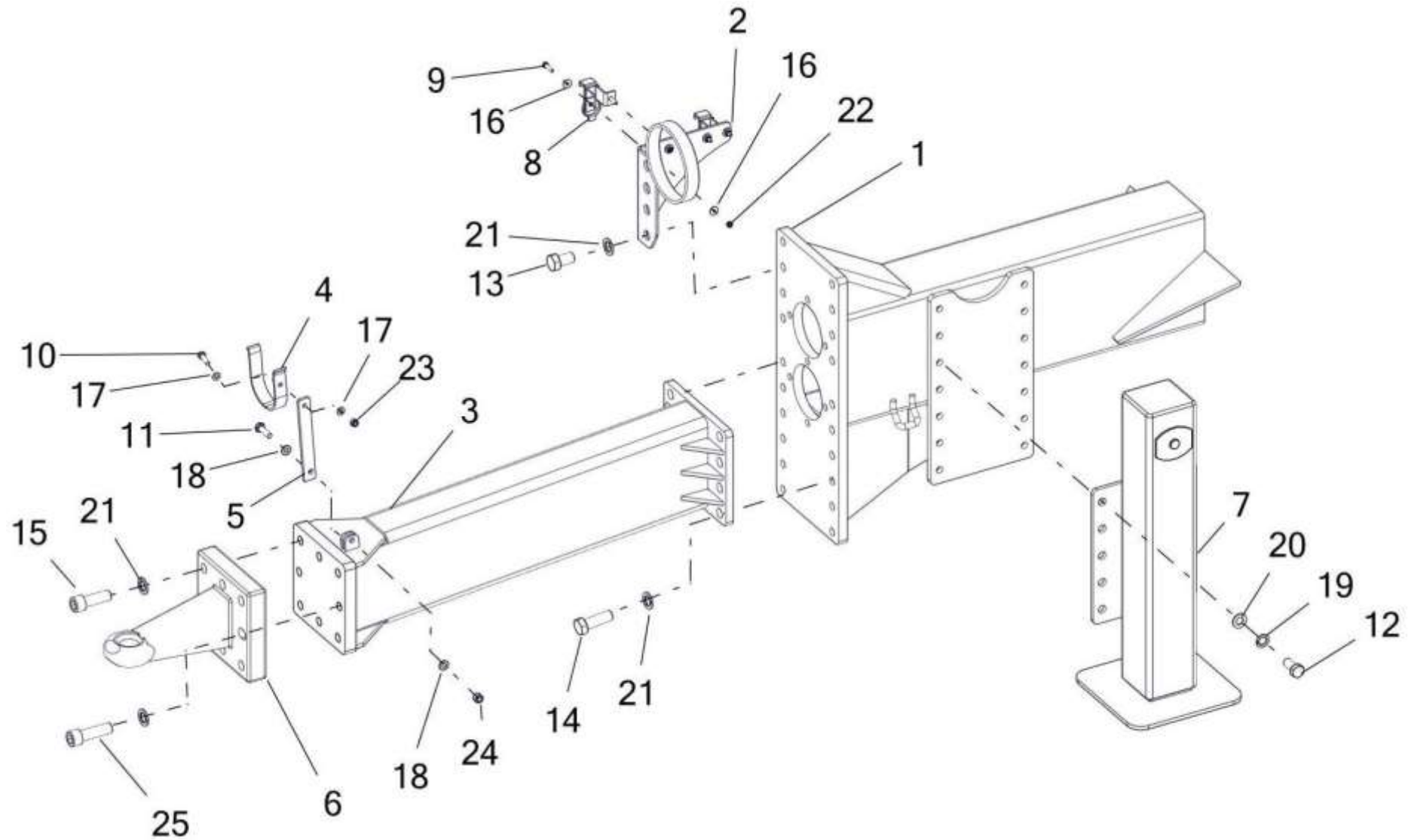
17. AUGER OF THE 2-ROTOR HORIZONTAL DISC ADAPTER	54
18. HORIZONTAL 2-ROTOR DISC ADAPTER	56
19. AUGER OF THE 2-ROTOR HORIZONTAL DISC ADAPTER (from 2022)	80
20. 2-ROTOR HORIZONTAL DISC ADAPTER N272 11.00.00.3 (from 2022).....	82
21. 2-ROTOR HORIZONTAL DISC ADAPTER WITH 4-BLADE DISCS (optional)	114
22. 2-ROTOR HORIZONTAL DISC ADAPTER N272 11.00.00.4 – 6-BLADE DISCS.....	118
23. LIGHT BAR, COMPLETE	122
24. RUN BAR (MANSFIELD BAR), COMPLETE.....	126
25. TAILGATE (2- AND 4-ROTOR VERTICAL ADAPTER)	128
26. TAILGATE OF THE 2-ROTOR VERTICAL ADAPTER (from 2022).....	132
27. TAILGATE OF THE 2-ROTOR HORIZONTAL DISC ADAPTER.....	138
28. TAILGATE OF THE 2-ROTOR HORIZONTAL DISC ADAPTER (from 2020)	142
29. HORIZONTAL ADAPTER DEFLECTOR – MANUALLY RETRACTABLE.....	146
30. SYNCHRONISER SHAFT, COMPLETE	148
31. DRIVE SYSTEM OF THE 4-ROTOR VERTICAL ADAPTER	150
32. DRIVE SYSTEM OF THE 2-ROTOR VERTICAL AND HORIZONTAL DISC ADAPTER – N272 01.03.00.1.....	154
33. DRIVE SYSTEM OF THE 2-ROTOR VERTICAL AND HORIZONTAL DISC ADAPTER – N272 01.03.00.2.....	158
34. REAR SHAFT	164

35. REAR SHAFT (2022 version)	168
36. FLOOR CONVEYOR	172
37. REAR SCRAPER	174
38. REAR SHAFT COVER.....	176
39. TENSIONER, COMPLETE WITH A ROLL	178
40. TENSIONER, COMPLETE WITH A GEARWHEEL.....	180
41. TANDEM TYPE SUSPENSION	182
42. HANDBRAKE, COMPLETE	186
43. ELECTRICAL SYSTEM	188
44. LED ELECTRICAL SYSTEM	192
45. WARNING PLATES	196
46. PNEUMATIC BRAKING SYSTEM	198
47. PNEUMATIC BRAKING SYSTEM WITH ALB	206
48. PNEUMATIC BRAKE SYSTEM WITH ALB AND DIAPHRAGM-SPRING CYLINDERS (KNORR)	216
49. PNEUMATIC BRAKE SYSTEM WITH ALB AND DIAPHRAGM-SPRING CYLINDERS (PETOLETKA)	228
50. HYDRAULIC BRAKE SYSTEM	239
51. HYDRAULIC-PNEUMATIC BRAKING SYSTEM	245
52. HYDRAULIC-PNEUMATIC BRAKING SYSTEM WITH ALB	257

53. BRAKE VALVE, COMPLETE – KNORR.....	269
54. BRAKE VALVE, COMPLETE – HALDEX	271
55. FOUR-SECTION HYDRAULIC SYSTEM, COMPLETE.....	273
56. FOUR-SECTION HYDRAULIC SYSTEM – Guard section of the vertical adapter.....	275
57. FOUR-SECTION HYDRAULIC SYSTEM – Guard section of the vertical adapter (from 2022)	279
58. FOUR-SECTION HYDRAULIC SYSTEM – Guard section of the horizontal adapter	285
59. FOUR-SECTION HYDRAULIC SYSTEM – Guard section of the horizontal adapter (from 2022).....	289
60. FOUR-SECTION HYDRAULIC SYSTEM – Tailgate section	295
61. FOUR-SECTION HYDRAULIC SYSTEM – Floor conveyor section	299
62. FOUR-SECTION HYDRAULIC SYSTEM – Floor conveyor section (Ponar valve)	303
63. FOUR-SECTION HYDRAULIC SYSTEM – Floor conveyor section (Iventec valve)	309
64. FOUR-SECTION HYDRAULIC SYSTEM – Hydraulic foot section	315
65. FOUR-SECTION HYDRAULIC SYSTEM WITH A DISTRIBUTOR, COMPLETE	317
66. FOUR-SECTION HYDRAULIC SYSTEM WITH A DISTRIBUTOR – Guard section of the vertical adapter	319
67. FOUR-SECTION HYDRAULIC SYSTEM WITH A DISTRIBUTOR – Guard section of the horizontal adapter	323
68. FOUR-SECTION HYDRAULIC SYSTEM WITH A DISTRIBUTOR – Tailgate section	327
69. FOUR-SECTION HYDRAULIC SYSTEM WITH A DISTRIBUTOR – Floor conveyor section.....	329
70. FOUR-SECTION HYDRAULIC SYSTEM WITH A DISTRIBUTOR –Support foot section	333

71. FOUR-SECTION HYDRAULIC SYSTEM WITH A DISTRIBUTOR – Control section.....	335
72. FOUR-SECTION HYDRAULIC SYSTEM WITH A DISTRIBUTOR – Distributor section	339
73. NOTES.....	341

1. HITCH AND SUPPORT FOOT



1. HITCH AND SUPPORT FOOT

No.	Part or assembly name	Fig. or index No.			
		N272/1	Number	N272/2	Number
1	Lower frame	N272 01.00.00.1	1	N272 01.00.00.1	1
2	Wiring support	N272 01.08.00	1	N272 01.08.00	1
3	Screw-on hitch	N272 01.07.00.1	1	N272 01.07.00.1	1
4	Support eye	N267 02.03.302	1	N267 02.03.302	1
5	Roller support arm	N267 02.03.405	1	N267 02.03.405	1
6*	Fixed bracket Fi50 145x145	POD-ODL-000111	1	POD-ODL-000111	1

Key: 6* - OPTIONAL:

POD-ODL-000039 – Hitch 00.654.22.1 (Drawbar eye Ø40)

POD-ODL-000112 – fixed hitch dia. 50 145 x 145 (00.654.41.1) 206002 AJ AGRIEST

POD-ODL-000119 – Hitch 00.654.41.1-A02 (scharmueller)

POD-ODL-000049 – Hitch 00.654.41.0

POD-ODL-000095 – Hitch 00.654.24.0-A02 (hitching eye dia. 40)

POD-ODL-000110 – Rotary hitch dia. 50 145 x 145 (00.654.43.0 / 48.1) ATD1-209658 AGRIEST

POD-ODL-000115 – Rotary hitch dia. 50 145 x 145 (00.654.43.0 / 48.1) 35225-F BPT

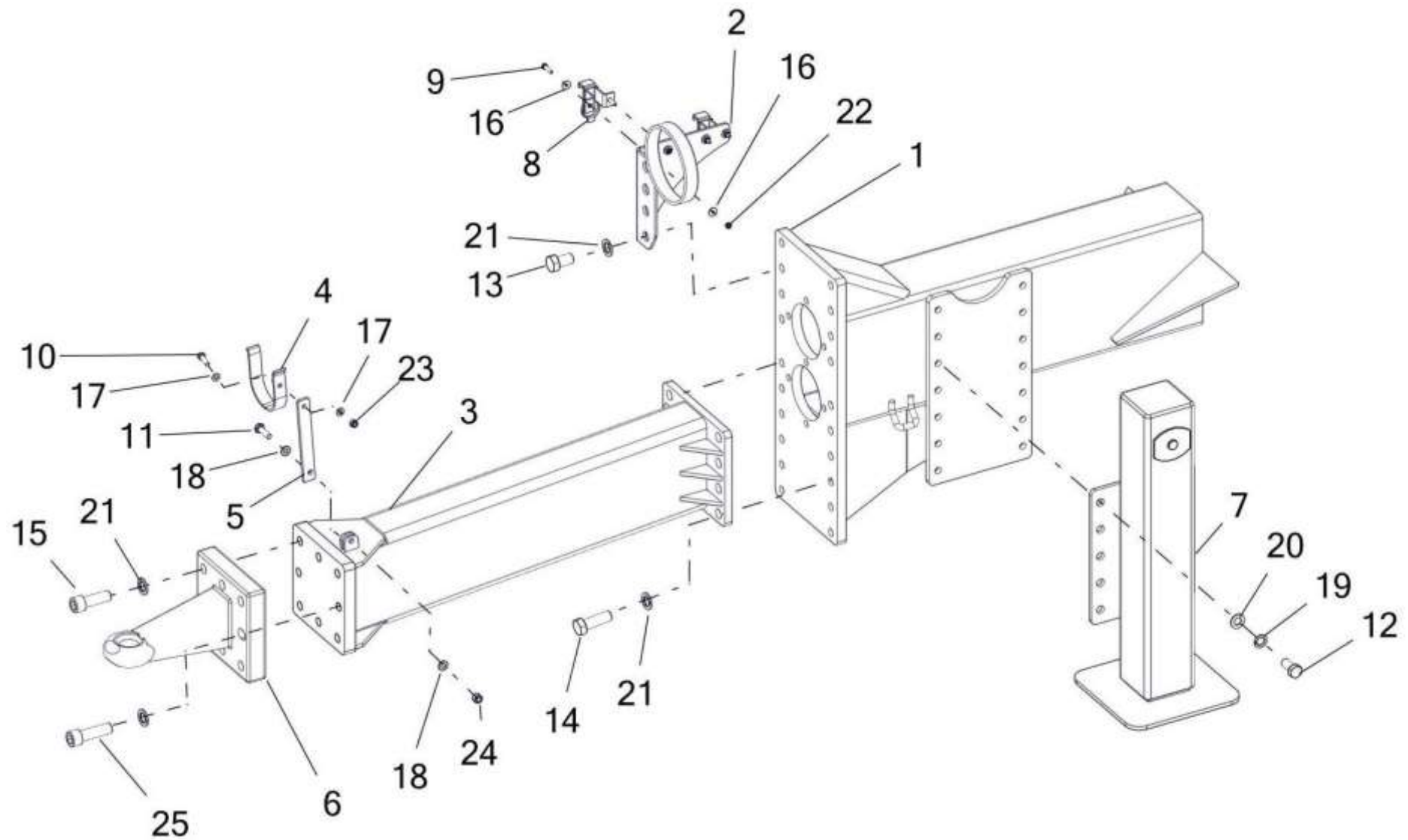
POD-ODL-000114 – Ball hitch dia. 80 145 x 145 (K80 00.650.90-1) 36040 BPT

POD-ODL-000066 – Ball coupling K80 00.650.90-1 145 x 145 8 hole (scharmueller)

POD-ODL-000113 – Ball hitch dia. 80 145 x 145 (K80 00.650.90-1) 415329 AC AGRIEST

POD-ODL-000096 – Hitch 00.650.90.1-A02 (scharmueller, same as POD-ODL-000066)

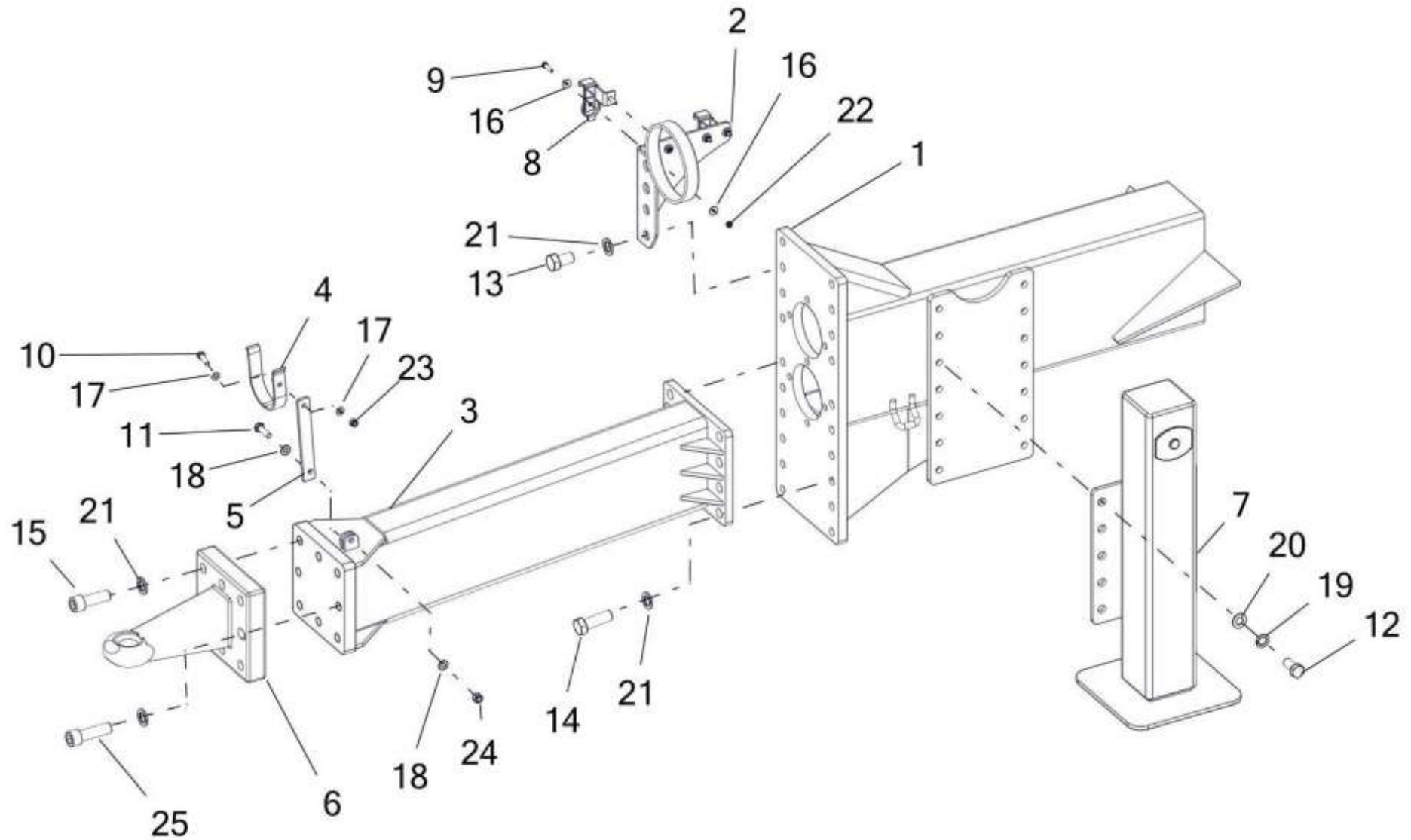
1. HITCH AND SUPPORT FOOT



1. HITCH AND SUPPORT FOOT

No.	Part or assembly name	Fig. or index No.			
		N272/1	Number	N272/2	Number
7	Hydraulic foot	N274 16.01.00	1	N274 16.01.00	1
8	Pneumatic Connector Holder	POD-UGL-000573	2	POD-UGL-000573	2
9	Bolt M6 x 25 galv. 8.8 82105	23S6/25OC 105	4	23S6/25OC 105	4
10	Bolt 8 x 25 galv., 8.8 82105 82105	23S8/25OC8.8	1	23S8/25OC8.8	1
11	Bolt 10 x 35 galv. 8.8 82105 82105	23S10/35OC 8.8	1	23S10/35OC 8.8	1
12	Bolt 16 x 35 galv. 8.8 82105 82105	23S16/35 8.8OC	10	23S16/35 8.8OC	10
13	Bolt 20 x 35 galv. 8.8 82105	POD-ELZ-000758	2	POD-ELZ-000758	2
14	Bolt 20 x 60 galv. 10.9 82101 82101	23S20/60 10.9	8	23S20/60 10.9	8
15	Bolt 20 x 80 galv. 10.9 82101 82101	23S20/80 10.9	8	23S20/80 10.9	8

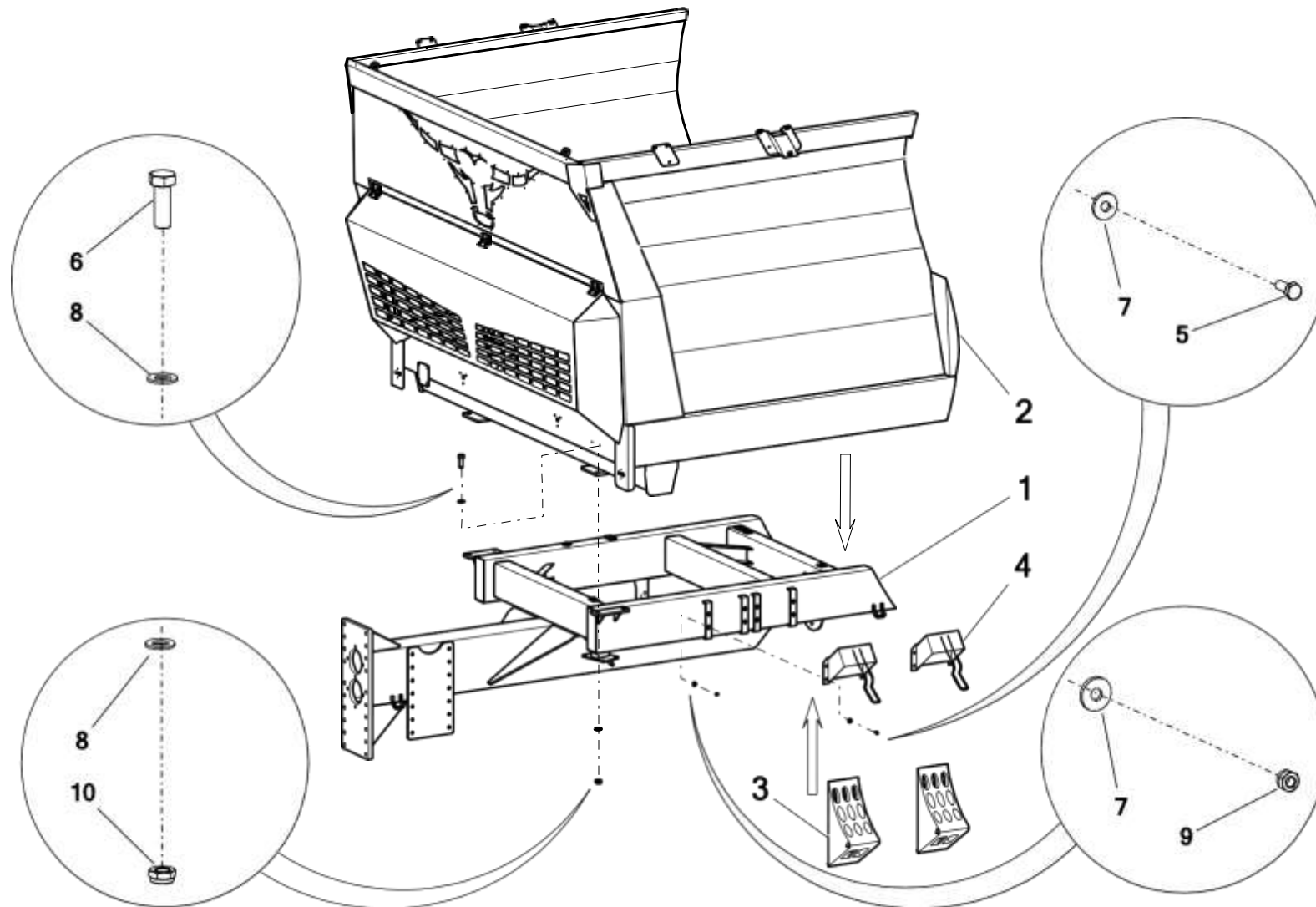
1. HITCH AND SUPPORT FOOT



1. HITCH AND SUPPORT FOOT

No.	Part or assembly name	Fig. or index No.			
		N272/1	Number	N272/2	Number
16	Round washer 6 galv., coated 82030	23P6OC030	8	23P6OC030	8
17	Round washer 8 galv., 82005 82005	23P8OOC	2	23P8OOC	2
18	Round washer 10 galv. 82005 82005	23P10 82005	2	23P10 82005	
19	Round washer 16 galv., 82005 82005	23P16OOC	10	23P16OOC	10
20	Spring washer 16.3 galv., 82008 82008	23P16SP	10	23P16SP	10
21	Spring washer, 20.5 galv. 82008 82008	23P20SP	16	23P20SP	16
22	Self-locking nut M6 galv. 82175 8 82175 8	23NS6OC	4	23NS6OC	4
23	Self-locking nut M8 galv., 82175 8 82175 8	23NS8OC	1	23NS8OC	1
24	Self-locking nut M10 galv. 82175 8 82175 8	23NS10OC	1	23NS10OC	1
25	Allen bolt 20 x 70 galv. 10.9 82302	POD-ELZ-000866	2	POD-ELZ-000866	2

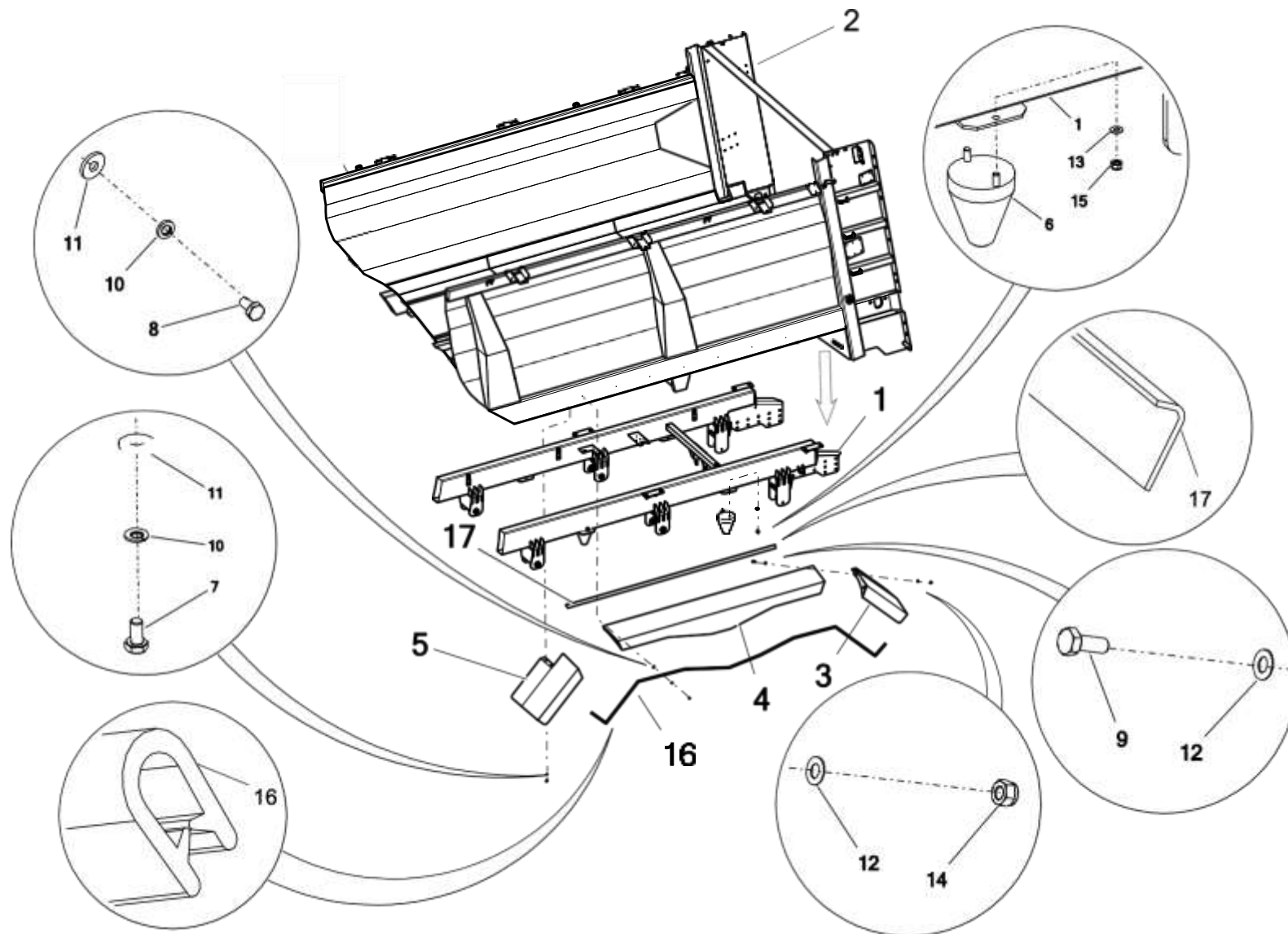
2. FRAME AND BODY (WHEEL CHOCKS)



2. FRAME AND BODY (WHEEL CHOCKS)

No.	Part or assembly name	Fig. or index No.			
		N272/1	Number	N272/2	Number
1	Lower frame	N272 01.00.00	1	N272 01.00.00	1
2	Body	N272-1 03.01.00.6	1	N272 03.01.00.6	1
3	Wheel chock	POD-OGL-000027-1	2	POD-OGL-000027-1	2
4	Chock grip	POD-OGL-000028-1	2	POD-OGL-000028-1	2
5	Bolt 6 x 16 galv. 8.8 82105 82105 8.8	23S6/16 8.8OC	8	23S6/16 8.8OC	8
6	Bolt 16 x 45 galv. 8.8 82105 82105	23S16/45OC	16	23S16/45OC	16
7	Round washer 6 galv., coated 82030	23P6OC030	16	23P6OC030	16
8	Round washer 16 galv., 82005 82005	23P16OOC	32	23P16OOC	32
9	Self locking nut M6 galv., 82175 8 82175 8	23NS6OC	8	23NS6OC	8
10	Self locking nut M16 galv. 82175 8 82175 8	23NS16OC	16	23NS16OC	16

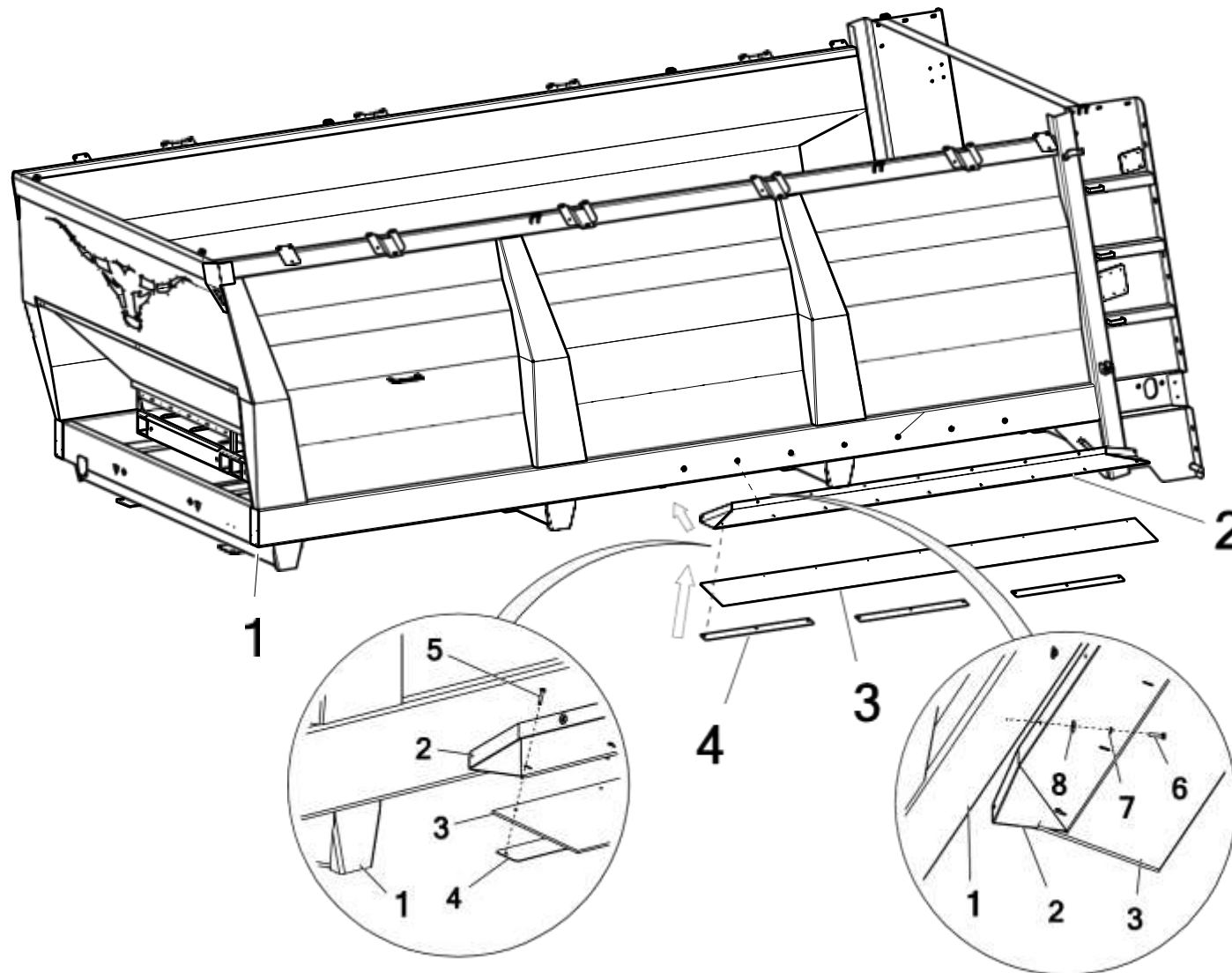
3. FRAME AND BODY (MUDGUARDS)



3. FRAME AND BODY (MUDGUARDS)

No.	Part or assembly name	Fig. or index No.			
		N272/1	Number	N272/2	Number
1	Lower frame	N272 01.00.00	1	N272 01.00.00	1
2	Body	N272-1 03.01.00.6	1	N272 03.01.00.6	1
3	Side mudguard, right	N272 03.31.00P	2	N272 03.31.00P	2
4	Central mudguard	N272 03.30.00.2	2	N272 03.30.00.2	2
5	Side mudguard, left	N272 03.31.00L	2	N272 03.31.00L	2
6	Rubber bumper dia. 130x160	POD-TSZ-000006-1	4	POD-TSZ-000006-1	4
7	Bolt 6 x 12 galv. 8.8 82105 82105 8.8	23S6/12OC 8.8	8	23S6/12OC 8.8	8
8	Bolt 6 x 16 galv. 8.8 82105 82105 8.8	23S6/16 8.8OC	14	23S6/16 8.8OC	14
9	Bolt 8 x 20 galv. 8.8 82105 82105	23S8/20OC 8.8	8	23S8/20OC 8.8	8
10	Spring washer, 6.1 galv., 82008 82008	23P6SPOC	22	23P6SPOC	22
11	Round washer 6 galv., coated 82030	23P6OC030	22	23P6OC030	22
12	Round washer 8 galv., 82005 82005	23P8OOC	16	23P8OOC	16
13	Round washer 12 galv., 82005	23P12OC	8	23P12OC	8
14	Self-locking nut M8 galv., cl. 8	POD-ELZ-000614	8	POD-ELZ-000614	8
15	Self locking nut M12 galv., 82175 8 82175 8	23NS12OC	8	23NS12OC	8
16	Edge gasket 2 mm	POD-TSZ-000192	4.65 m	POD-TSZ-000192	4.65 m
17	Rim gasket	POD-TSZ-000193	2.25 m	POD-TSZ-000193	2.25 m

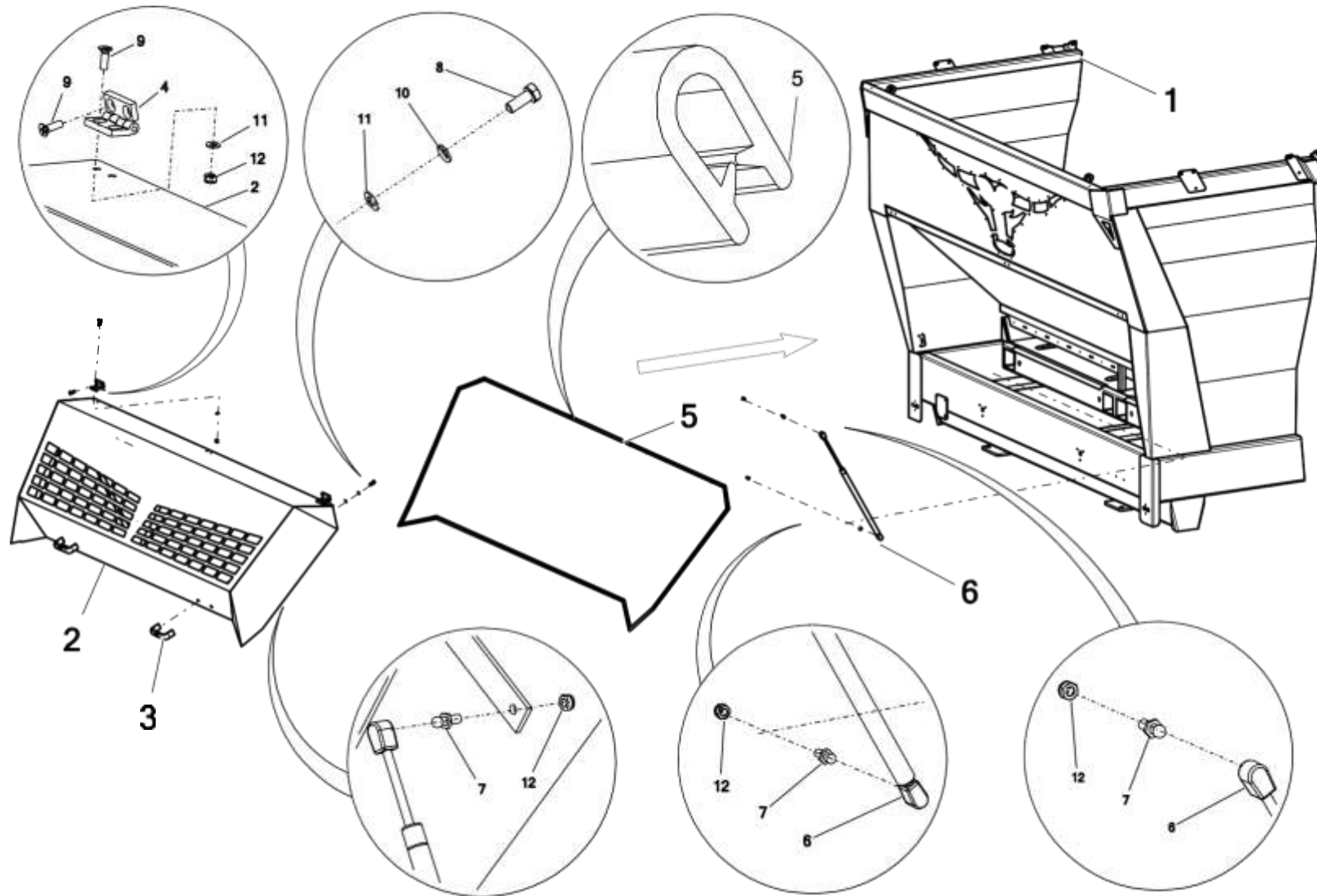
4. FRAME AND BODY (MUDGUARDS)



4. FRAME AND BODY (MUDGUARDS)

No.	Part or assembly name	Fig. or index No.			
		N272/1	Number	N272/2	Number
1	Body	N272 03.01.00.6	1	N272 03.01.00.6	1
2	Wing under rubber	N272 03.33.00	2	N272 03.33.00	2
3	CPZ mudguard rubber 2600 x 240	POD-TSZ-000304	2	POD-TSZ-000304	2
4	Wing strip	N272 03.32.03	6	N272 03.32.03	6
5	Flat head rivet 6 x 30 alu-alu DIN7337A	POD-ELZ-000581	18	POD-ELZ-000581	18
6	Bolt 6 x 25 galv., 8.8 82105	23S6/25OC 105	18	23S6/25OC 105	18
7	Spring washer, 6.1 galv., 82008 82008	23P6SPOC	18	23P6SPOC	18
8	Round washer 6 galv. coated 82019	POD-ELZ-000563	18	POD-ELZ-000563	18

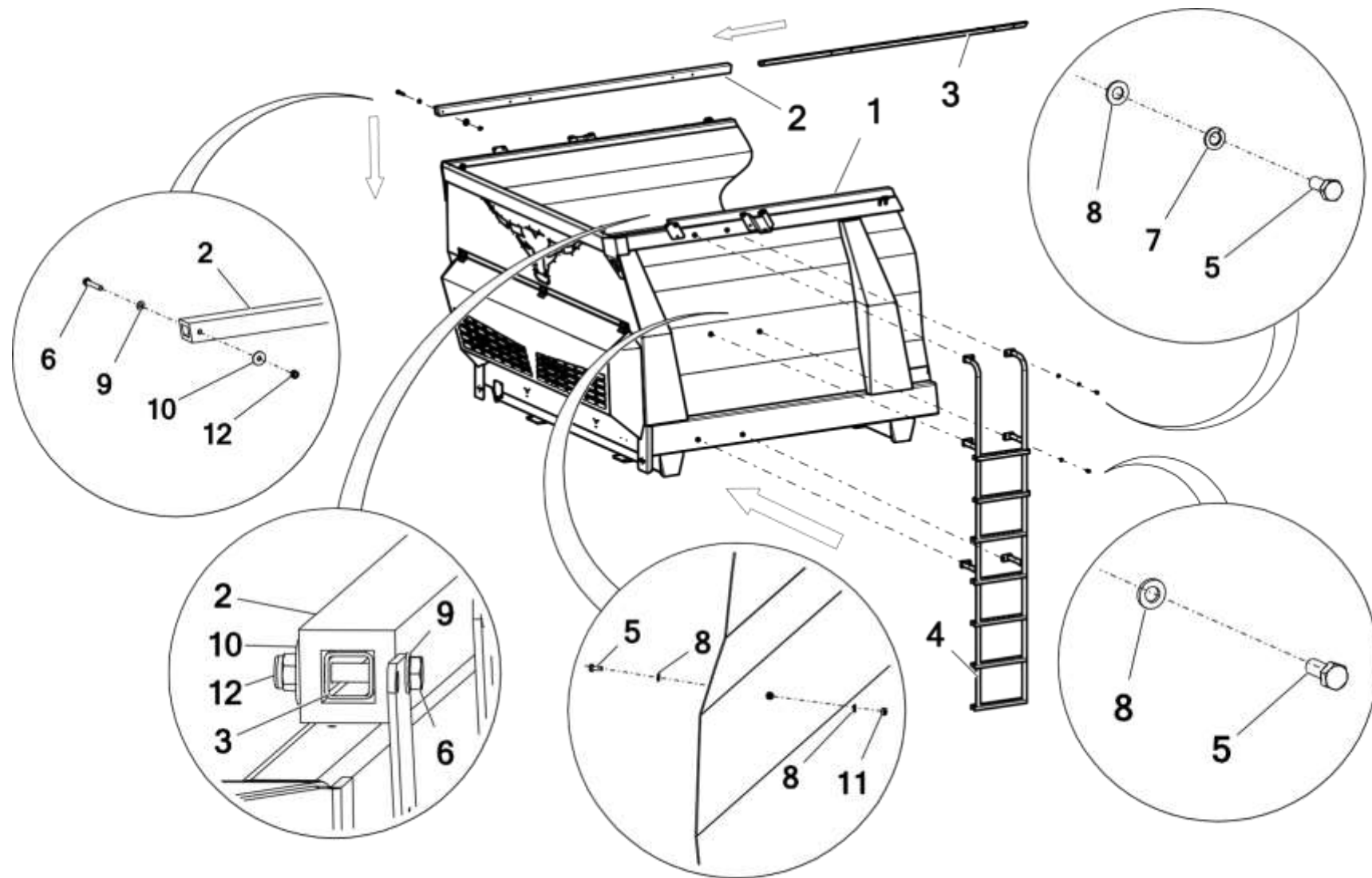
5. SHELL AND FRONT GATE



5. SHELL AND FRONT GATE

No.	Part or assembly name	Fig. or index No.			
		N272/1	Number	N272/2	Number
1	Body	N272-1 03.01.00.6	1	N272 03.01.00.6	1
2	Front gate	N272 07.00.00.1	1	N272 07.00.00.1	1
3	Panel holder 465934	POD-TSZ-000195	2	POD-TSZ-000195	2
4	Hinge N272 CFM.60 SH-8	POD-OGL-000378	3	POD-OGL-000378	3
5	Edge gasket 2 mm	POD-TSZ-000192	11.5 m	POD-TSZ-000192	11.5 m
6	Gas spring 23179-L599 440 N; travel 190	28SG21768	2	28SG21768	2
7	Gas spring pin I-25014	POD-OGL-000519	4	POD-OGL-000519	4
8	Bolt 8 x 20 galv. 8.8 82105 82105	23S8/20OC 8.8	4	23S8/20OC 8.8	4
9	Screw 8 x 25 galv. 82208 82208	23W8/25 OC	12	23W8/25 OC	12
10	Spring washer 8.2 galv., 82008 82008	23P8SPOC	4	Spring washer, 8.2, galv., 82008 82008	4
11	Round washer 8 galv., 82005 82005	23P8OOC	10	23P8OOC	10
12	Self-locking nut M8, galv., 82175 8 82175 8	23NS8OC	10	23NS8OC	10

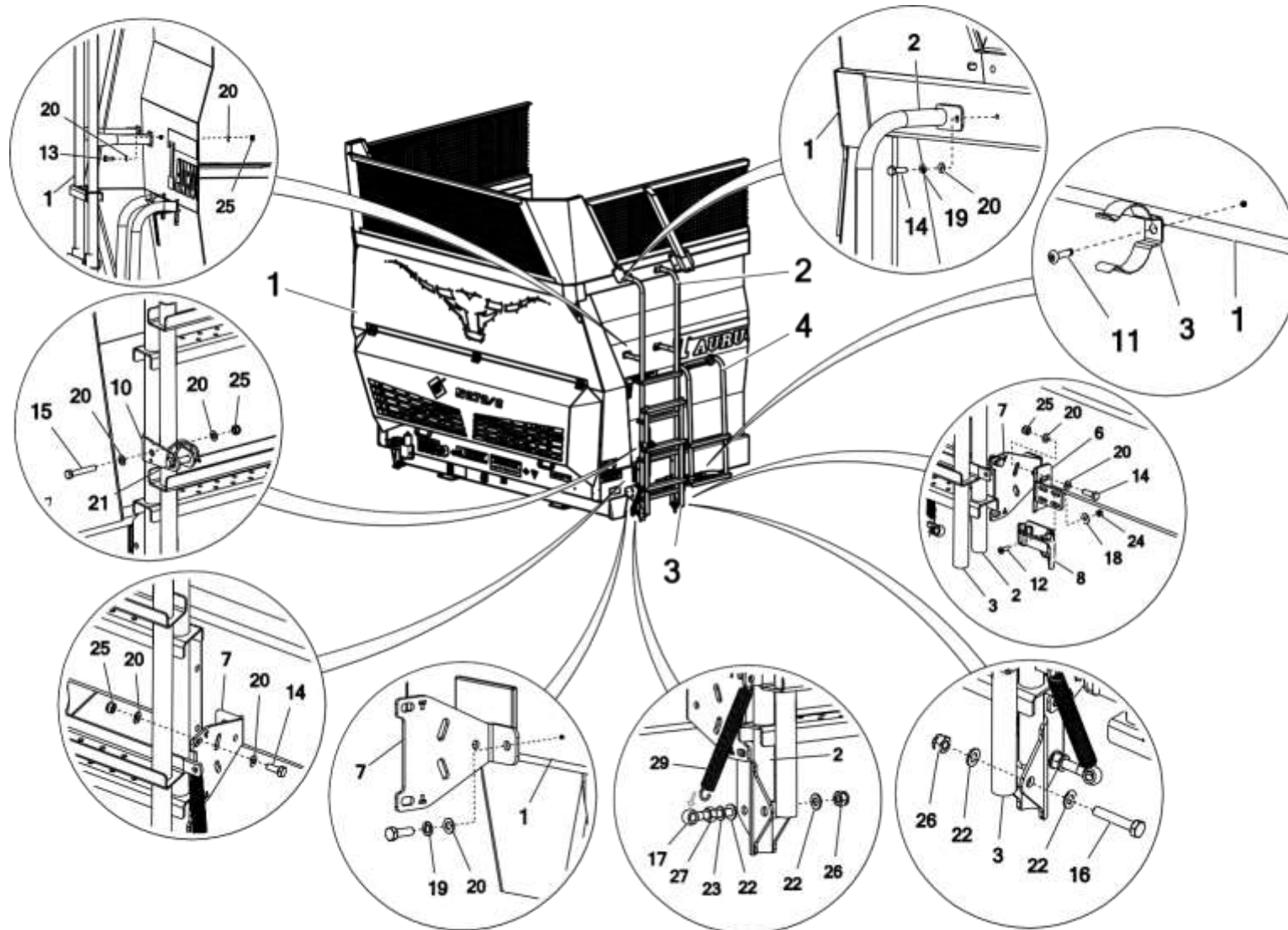
6. LADDER AND PANEL ENDS



6. LADDER AND PANEL ENDS

No.	Part or assembly name	Fig. or index No.			
		N272/1	Number	N272/2	Number
1	Body	N272-1 03.01.00.6	1	N272 03.01.00.6	1
2	Rubber square 50 x 50 x 4605 for panel end	POD-TSZ-000232	2	POD-TSZ-000232	2
3	Internal profile N272 05.10.07	N272 05.10.07	2	N272 05.10.07	2
4	Ladder	N272-1 08.00.00.1	1	N272-2 08.00.00.1	1
5	Bolt 8 x 20 galv. 8.8 82105 82105	23S8/20OC 8.8	6	23S8/20OC 8.8	6
6	Bolt 10 x 65 galv. 8.8 82101	POD-ELZ-000529	20	POD-ELZ-000529	20
7	Spring washer 8.2 galv., 82008 82008	23P8SPOC	4	23P8SPOC	4
8	Round washer 8 galv., 82005 82005	23P8OOC	8	23P8OOC	8
9	Round washer 10 galv. 82005 82005	23P10 82005	20	23P10 82005	20
10	Round washer 10 galv., coated 82019	POD-ELZ-000413	20	POD-ELZ-000413	20
11	Self-locking nut M8, galv., 82175 8 82175 8	23NS8OC	2	23NS8OC	2
12	Self locking nut M10 galv., 82175 8 82175 8	23NS10OC	20	23NS10OC	20

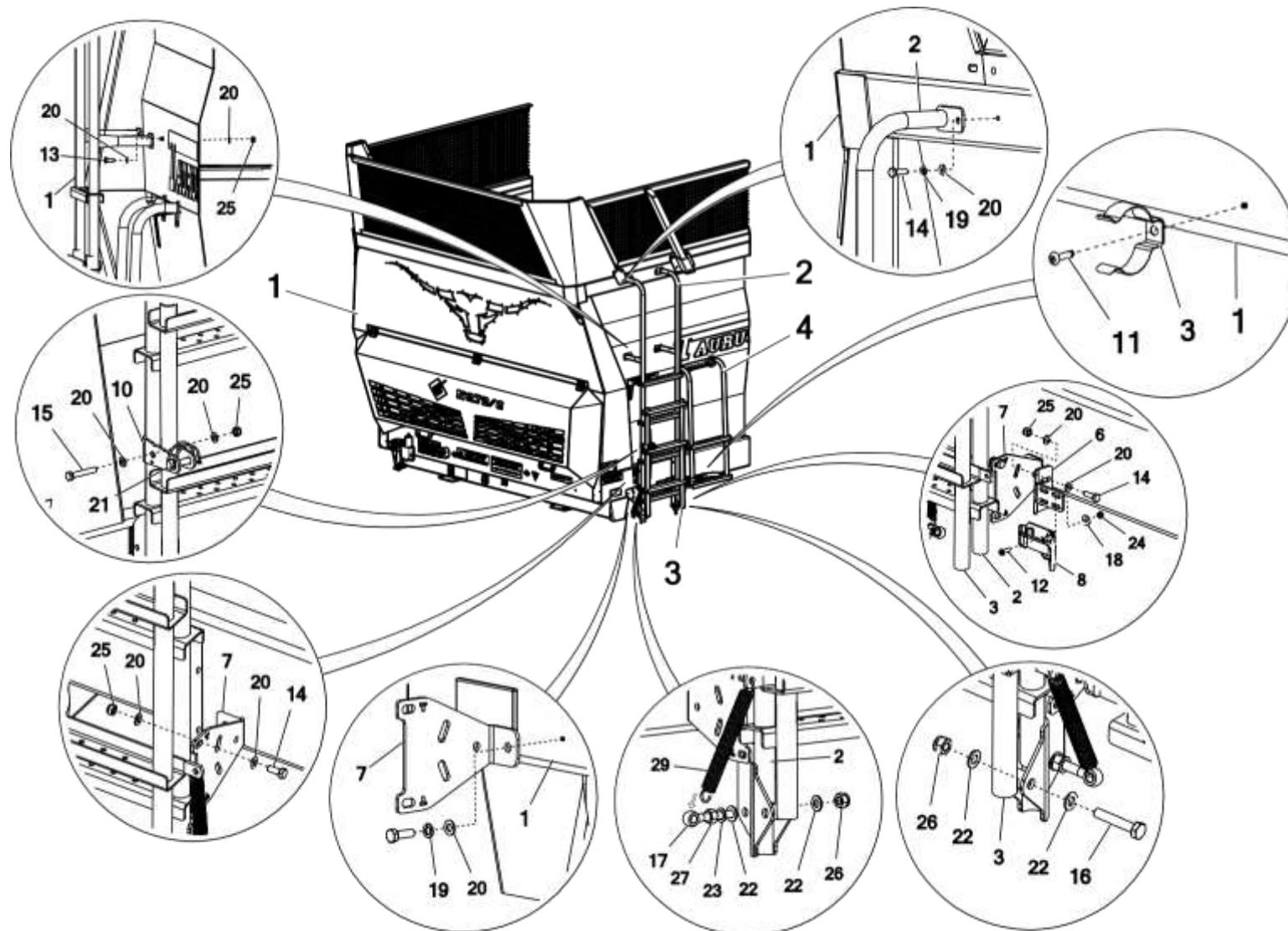
7. FOLDING LADDER



7. FOLDING LADDER

No.	Part or assembly name	Fig. or index No.			
		N272/1	Number	N272/2	Number
1	Body	N272-1 03.01.00.6	1	N272 03.01.00.6	1
2	Ladder	N272 08.01.00	1	N272 08.01.00	1
3	Bottom ladder	N272 08.02.00	1	N272 08.02.00	1
4	Ladder	N272 08.03.00	1	N272 08.03.00	1
5	Internal ladder hanger	N276 01.00.22	1	N276 01.00.22	1
6	Side ladder attachment	N272 08.04.04	1	N272 08.04.04	1
7	Fastening the ladder	N272 08.04.01	2	N272 08.04.01	2
8	shovel, broom holder 28/42, 10-110 10-110	POD-OGL-001344	1	POD-OGL-001344	1
9	spring clamp, 25 mm, open, BZP, zinc plated, Matlock MTL6621050K	POD-OGL-001345	1	POD-OGL-001345	1
10	Ladder protection	N272 08.04.05	1	N272 08.04.05	1
11	Aluminium/steel pop rivet 3 x 10	23NIT3X10	1	23NIT3X10	1
12	Screw 6 x 20 galv. 82208	23W6/20OC	2	23W6/20OC	2
13	Bolt 8 x 20 galv. 8.8 82105 82105	23S8/20OC 8.8	6	23S8/20OC 8.8	6
14	Bolt 8 x 25 galv., 8.8 82105 82105	23S8/25OC8.8	8	23S8/25OC8.8	8
15	Bolt 8 x 50 galv., 8.8 82101 82101	23S8/50OC	1	23S8/50OC	1
16	Bolt 10 x 55 galv., 8.8 82105 82105	23S10/55OC	2	23S10/55OC	2

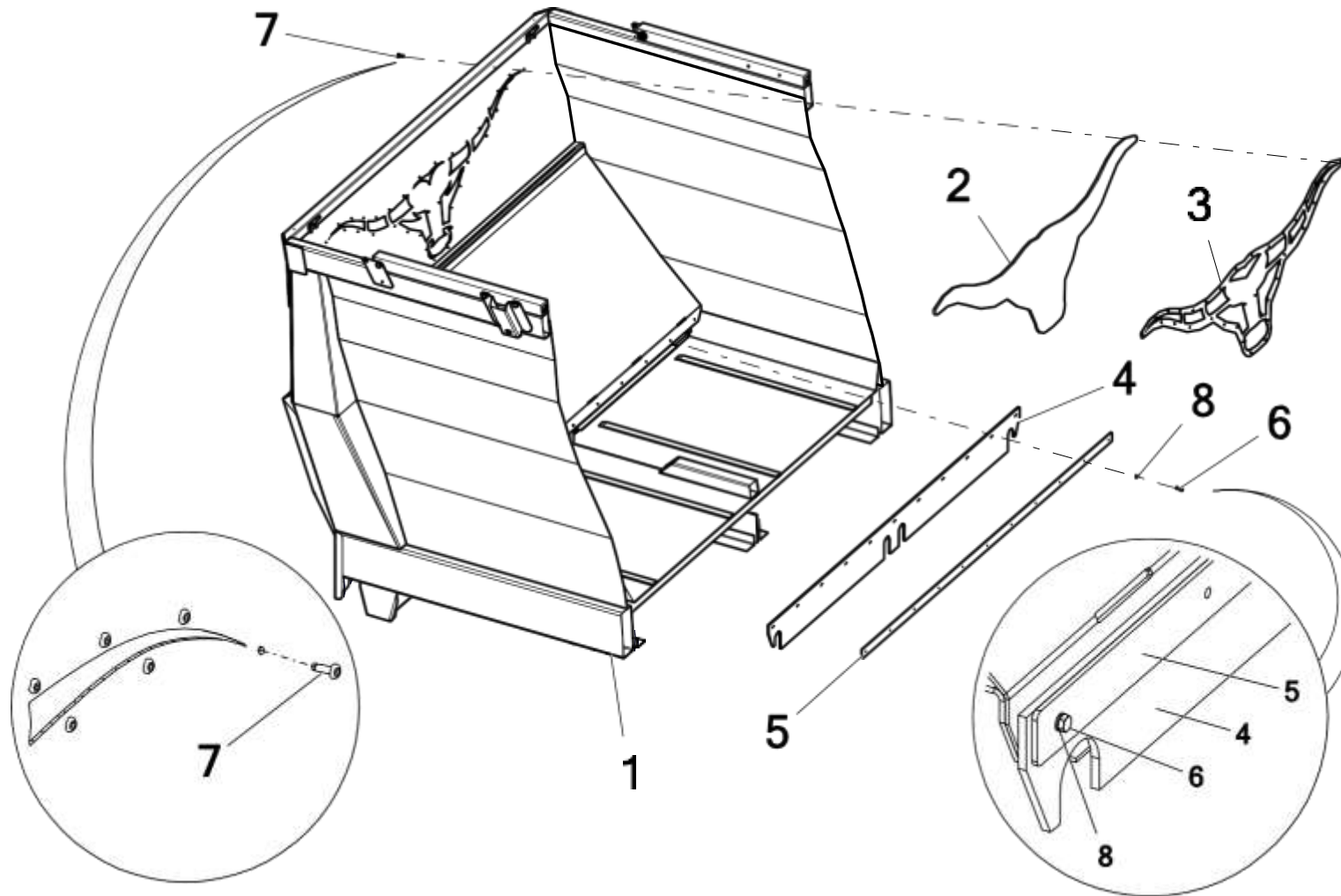
7. FOLDING LADDER



7. FOLDING LADDER

No.	Part or assembly name	Fig. or index No.			
		N272/1	Number	N272/2	Number
17	Eye bolt M10x70 8.8 DIN444 LB galv.	POD-ELZ-001081	2	POD-ELZ-001081	2
18	Round washer 6 galv., coated 82030	23P6OC030	2		2
19	Spring washer 8.2 galv., 82008 82008	23P8SPOC	4	23P8SPOC	4
20	Round washer 8 galv., 82005 82005	23P8OOC	16	23P8OOC	16
21	Tubular pin 10 x 50	POD-ELZ-000666	1	POD-ELZ-000666	1
22	Round washer 10 galv. 82005 82005	23P10 82005	8	23P10 82005	8
23	Spring washer 10.2 galv. 82008 82008	23P10SP	2	23P10SP	2
24	Self-locking nut M6 galv., 82175 8 82175 8	23NS6OC	2	23NS6OC	2
25	Self-locking nut M8, galv., 82175 8 82175 8	23NS8OC	6	23NS8OC	6
26	Self locking nut M10 galv., 82175 8 82175 8	23NS10OC		23NS10OC	
27	Nut M10 galv. 82144 5 82144 5	23N10OC	2	23N10OC	

8. INSTALLATION OF AN INSPECTION WINDOW



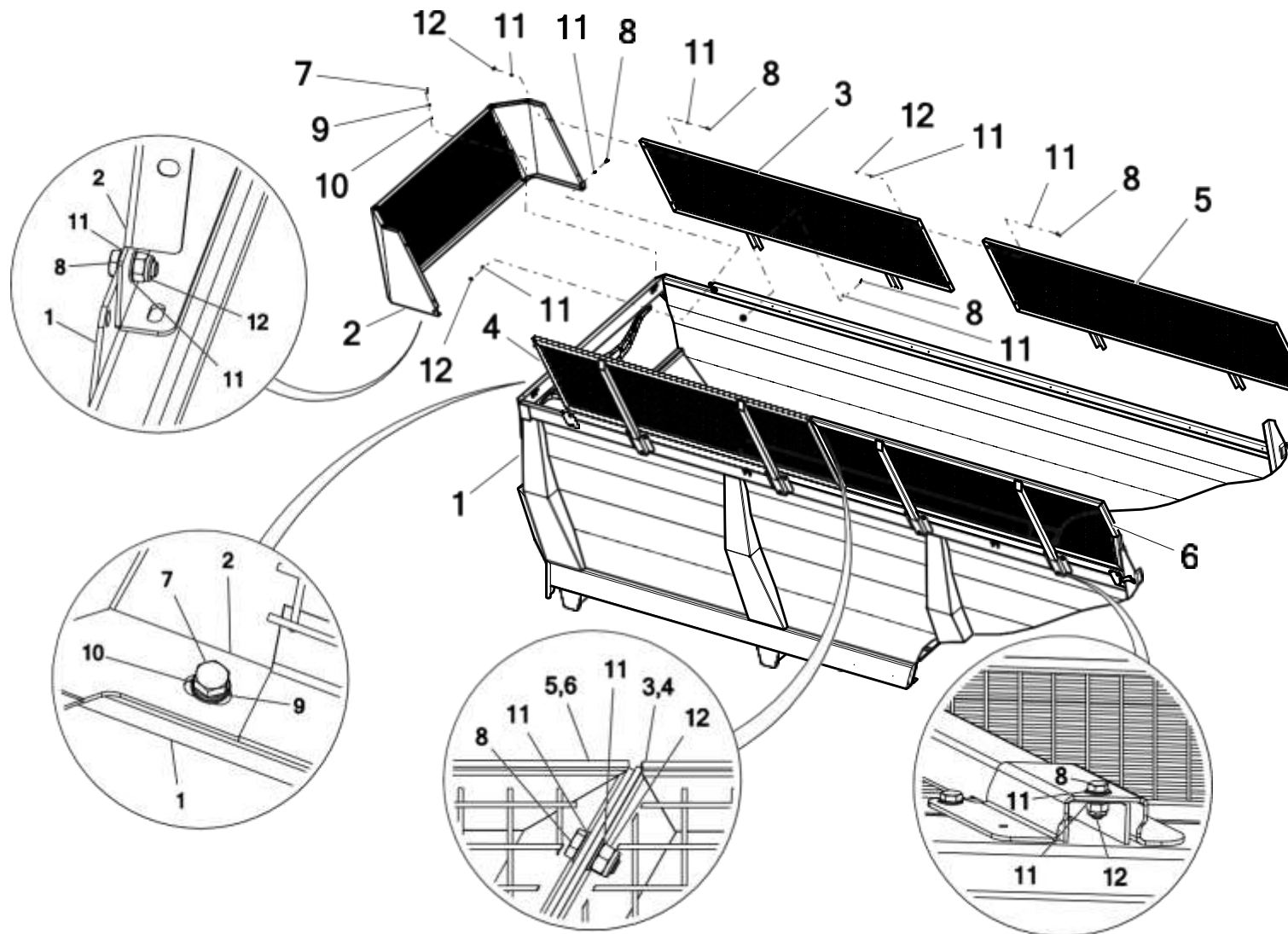
8. INSTALLATION OF AN INSPECTION WINDOW

No.	Part or assembly name	Fig. or index No.			
		N272/1	Number	N272/2	Number
1	Body	N272-1 03.01.00.6	1	N272 03.01.00.6	1
2*	Roll of PVC std b/n 4 x 156	26RPCW4/156	0.5 m	26RPCW4/156	0.5 m
3	Installation under PVC - TAURUS film	N272 03.32.02	1		
4	Sealing rubber belt, 3 spacers, 1960 x 200, N272 09.00.08.2	POD-TSZ-000307	1	POD-TSZ-000307	1
5	Rubber mounting N272 03.00.05	N272 03.00.05	1	N272 03.00.05	1
6	Bolt 6 x 20 galv. 8.8 82105 82105 8.8	23S6/20	11	23S6/20	11
7	Aluminium/steel pop rivet 6 x 20	POD-ELZ-000415	34	POD-ELZ-000415	34
8	Spring washer, 6.1 galv., 82008 82008	23P6SPOC	11	23P6SPOC	11

Key:

2* - the item is supplied in the form of a 1600 x 500 roll; its shape must be copied from item **N272 03.32.02** (item 3)

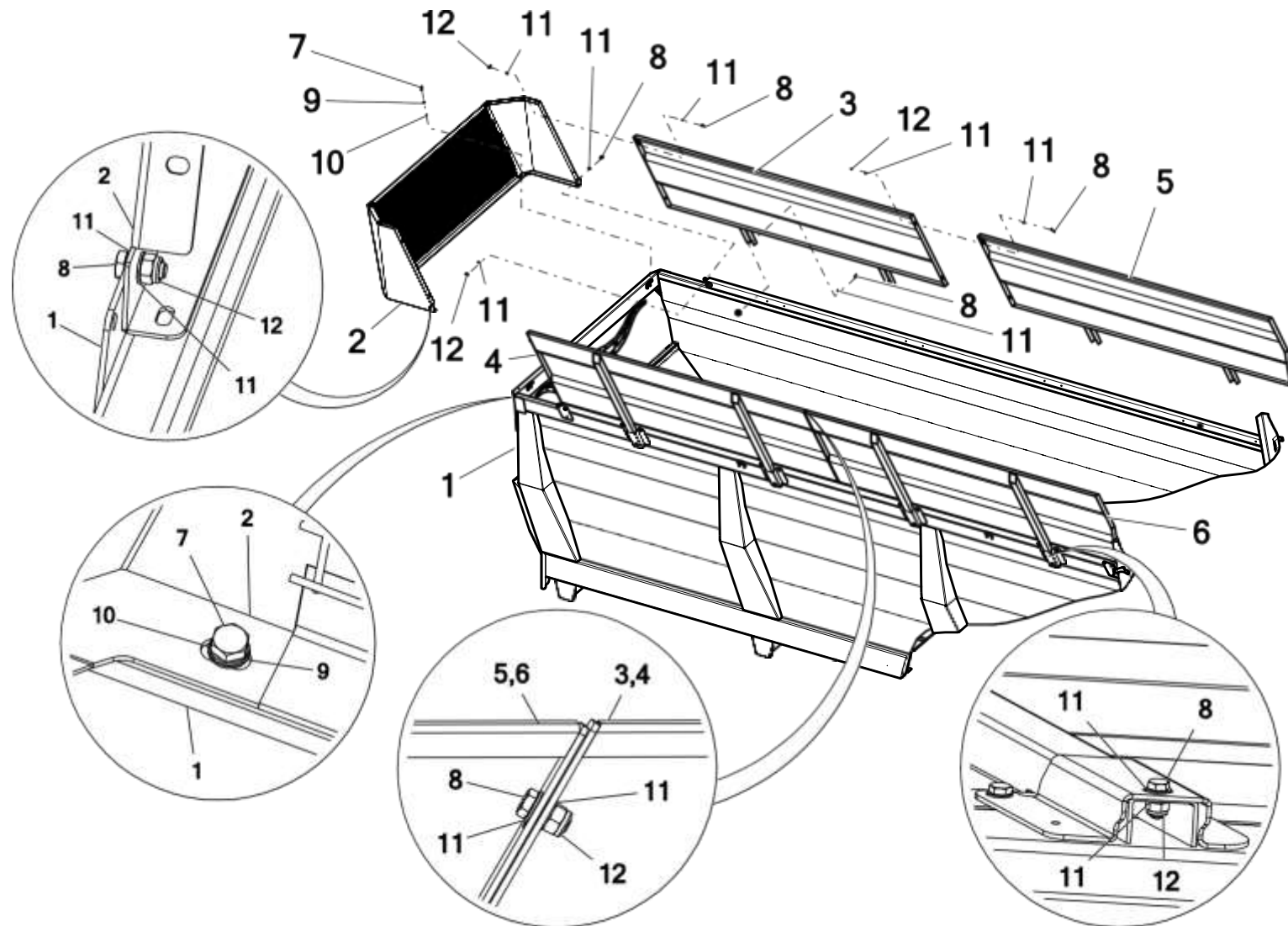
9. FRONT EXTENSION AND SIDE NET EXTENSIONS



9. FRONT EXTENSION AND SIDE NET EXTENSIONS

No.	Part or assembly name	Fig. or index No.			
		N272/1	Number	N272/2	Number
1	Body	N272-1 03.01.00.6	1	N272 03.01.00.6	1
2	Front extension	N272 05.01.00.1	1	N272 05.01.00.1	1
3	Side net extension, front - right side	N272 05.02.00P	1	N272 05.02.00P	1
4	Side net extension, front - left side	N272 05.02.00L	1	N272 05.02.00L	1
5	Side net extension, rear - right side	N272 05.03.00P	1	N272 05.03.00P	1
6	Mesh top extension, rear, left side N272 05.03.00L	N272 05.03.00L	1	N272 05.03.00L	1
7	Bolt 8 x 20 galv. 8.8 82105 82105	23S8/20OC 8.8	2	23S8/20OC 8.8	2
8	Bolt 10 x 25 galv. 8.8 82105 82105	23S10/25OC 8.8	18	23S10/25OC 8.8	18
9	Spring washer 8.2 galv., 82008 82008	23P8SPOC	2	23P8SPOC	2
10	Round washer 8 galv., coated 82030	23P8OC 82030	2	23P8OC 82030	2
11	Round washer 10 galv. 82005 82005	23P10 82005	20	23P10 82005	20
12	Self locking nut M10 galv., 82175 8 82175 8	23NS10OC	10	23NS10OC	10

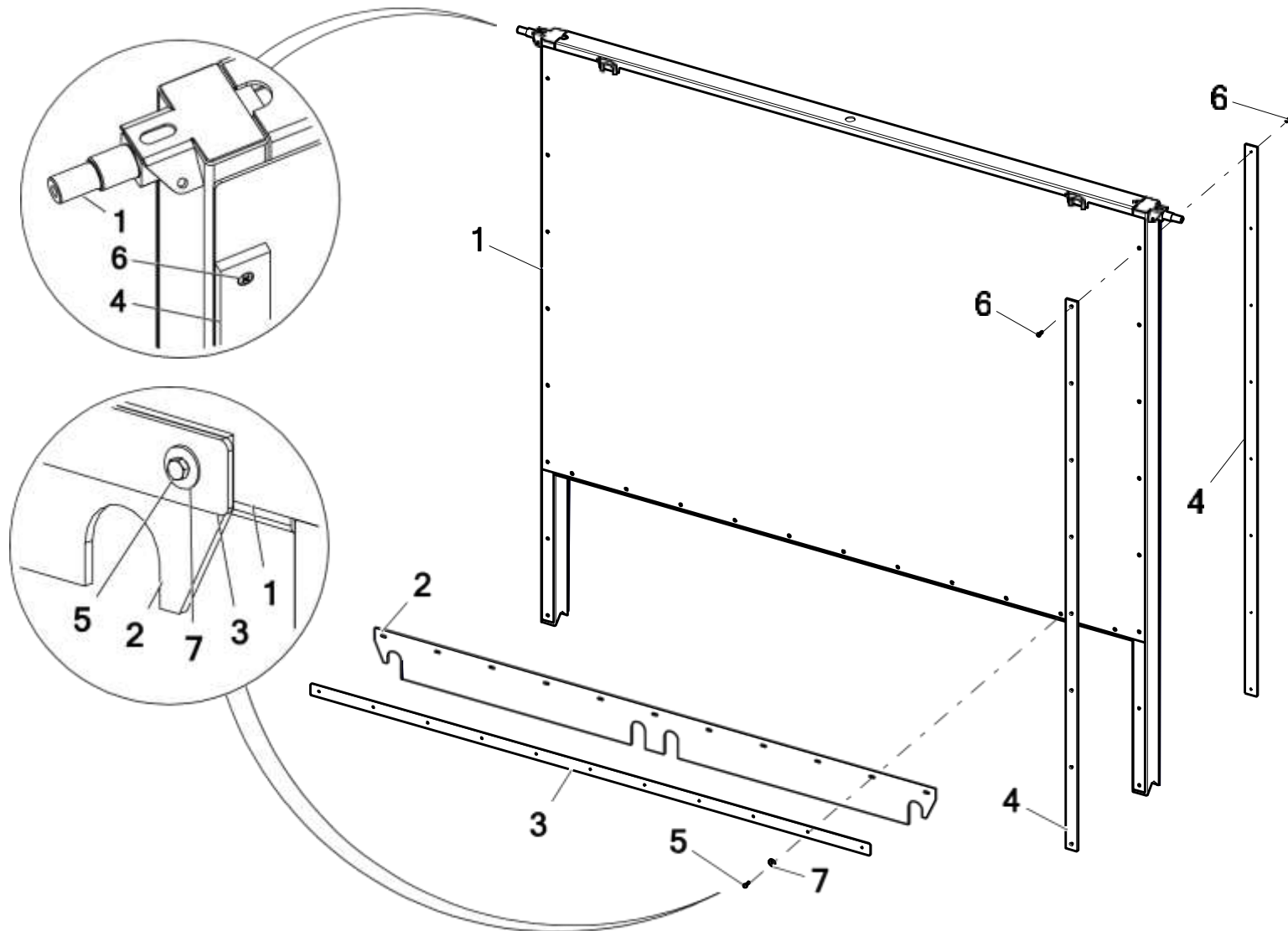
9. FRONT EXTENSION AND SIDE SHEET METAL EXTENSIONS



9. FRONT EXTENSION AND SIDE SHEET METAL EXTENSIONS

No.	Part or assembly name	Fig. or index No.			
		N272/1	Number	N272/2	Number
1	Body	N272-1 03.01.00.6	1	N272 03.01.00.6	1
2	Front extension	N272 05.01.00.1	1	N272 05.01.00.1	1
3	Metal sheet side extension, front, right side	N272 05.04.00P	1	N272 05.04.00P	1
4	Metal sheet side extension, front, left side	N272 05.04.00L	1	N272 05.04.00L	1
5	Metal sheet side extension, rear, right side	N272 05.05.00P	1	N272 05.05.00P	1
6	Side metal sheet extension, rear - left side	N272 05.05.00L	1	N272 05.05.00L	1
7	Bolt 8 x 20 galv. 8.8 82105 82105	23S8/20OC 8.8	2	23S8/20OC 8.8	2
8	Bolt 10 x 25 galv. 8.8 82105 82105	23S10/25OC 8.8	18	23S10/25OC 8.8	18
9	Spring washer 8.2 galv., 82008 82008	23P8SPOC	2	23P8SPOC	2
10	Round washer 8 galv., coated 82030	23P8OC 82030	2	23P8OC 82030	2
11	Round washer 10 galv. 82005 82005	23P10 82005	20	23P10 82005	20
12	Self locking nut M10 galv., 82175 8 82175 8	23NS10OC	10	23NS10OC	10

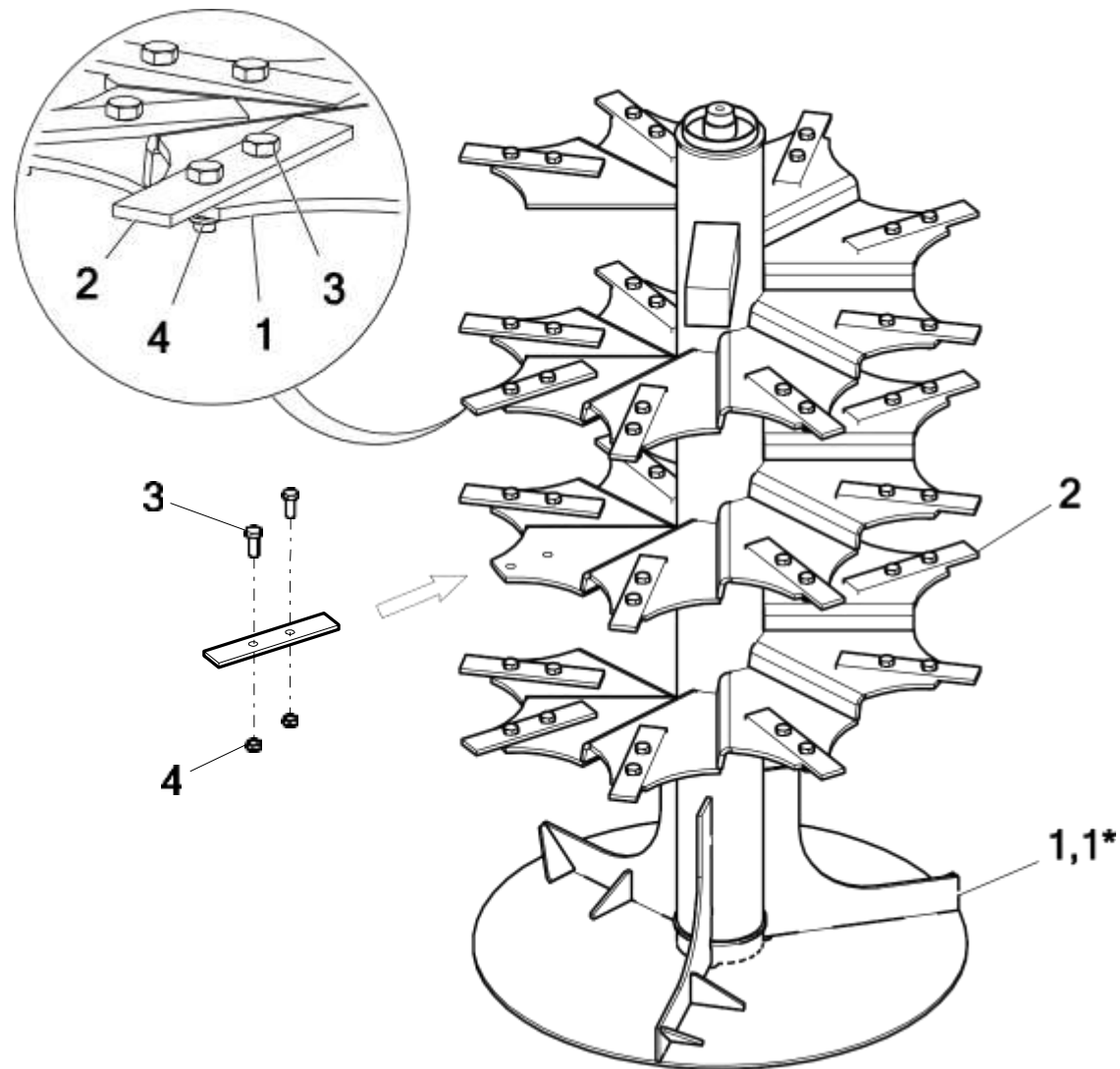
10. REAR TAILGATE



10. REAR TAILGATE

No.	Part or assembly name	Fig. or index No.			
		N272/1	Number	N272/2	Number
1	Rear tailgate	N272 04.03.00	1	N272 04.03.00	1
2	Sealing rubber belt, 3 spacers, 1960 x 150 N272 09.00.08.2	POD-TSZ-000307	1	POD-TSZ-000307	1
3	Rubber mounting	N272 03.00.05	1	N272 03.00.05	1
4	Tecamid slider N272 04.04.01.1 L = 1930 mm	POD-TSZ-000223	4	POD-TSZ-000223	4
5	Bolt 6 x 20 galv. 8.8 82105 82105 8.8	23S6/20	11	23S6/20	11
6	Screw 6 x 20 galv. 82208	23W6/20OC	36	23W6/20OC	36
7	Round washer 6 galv. coated 82019	POD-ELZ-000563	11	POD-ELZ-000563	11

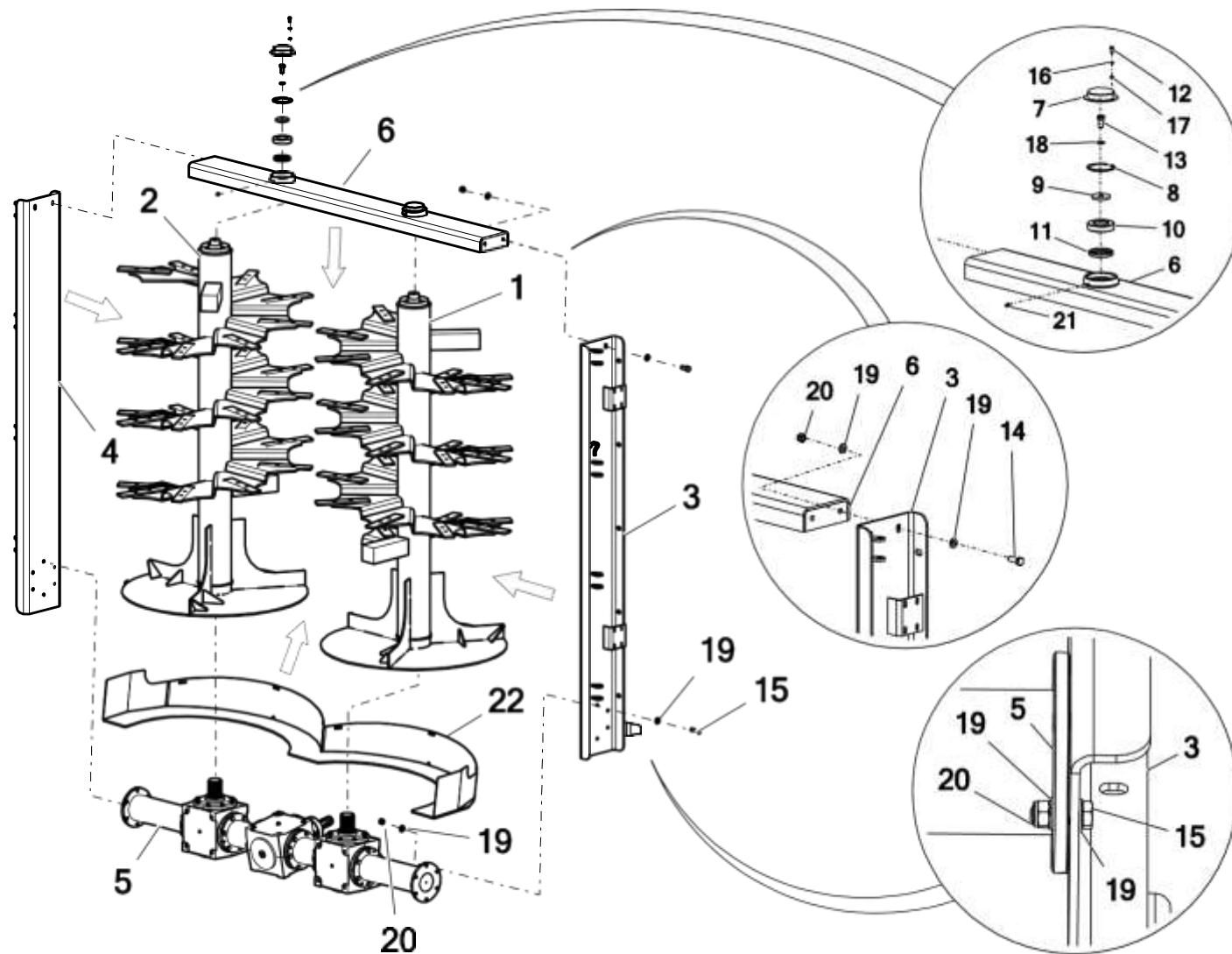
11. LEFT AUGER OF THE 2-ROTOR VERTICAL ADAPTER



11. LEFT AUGER OF THE 2-ROTOR VERTICAL ADAPTER

No.	Part or assembly name	Fig. or index No.			
		N272/1	Number	N272/2	Number
1	Left auger (12.14 T)	N272 10.11.00.1L	1	N272 10.11.00.1L	1
1*	Right auger (12.14 T)	N272 10.11.00.1P	1	N272 10.11.00.1P	1
2	Flat bar (screw blade)	N272 10/11/2021	25		
3	Bolt 16 x 40 galv. 8.8 82105 82105	23S16/40 8.8OC	50	23S16/40 8.8OC	50
4	Self locking nut M16, galv., 82175 8 82175 8	23NS16OC	50	23NS16OC	50

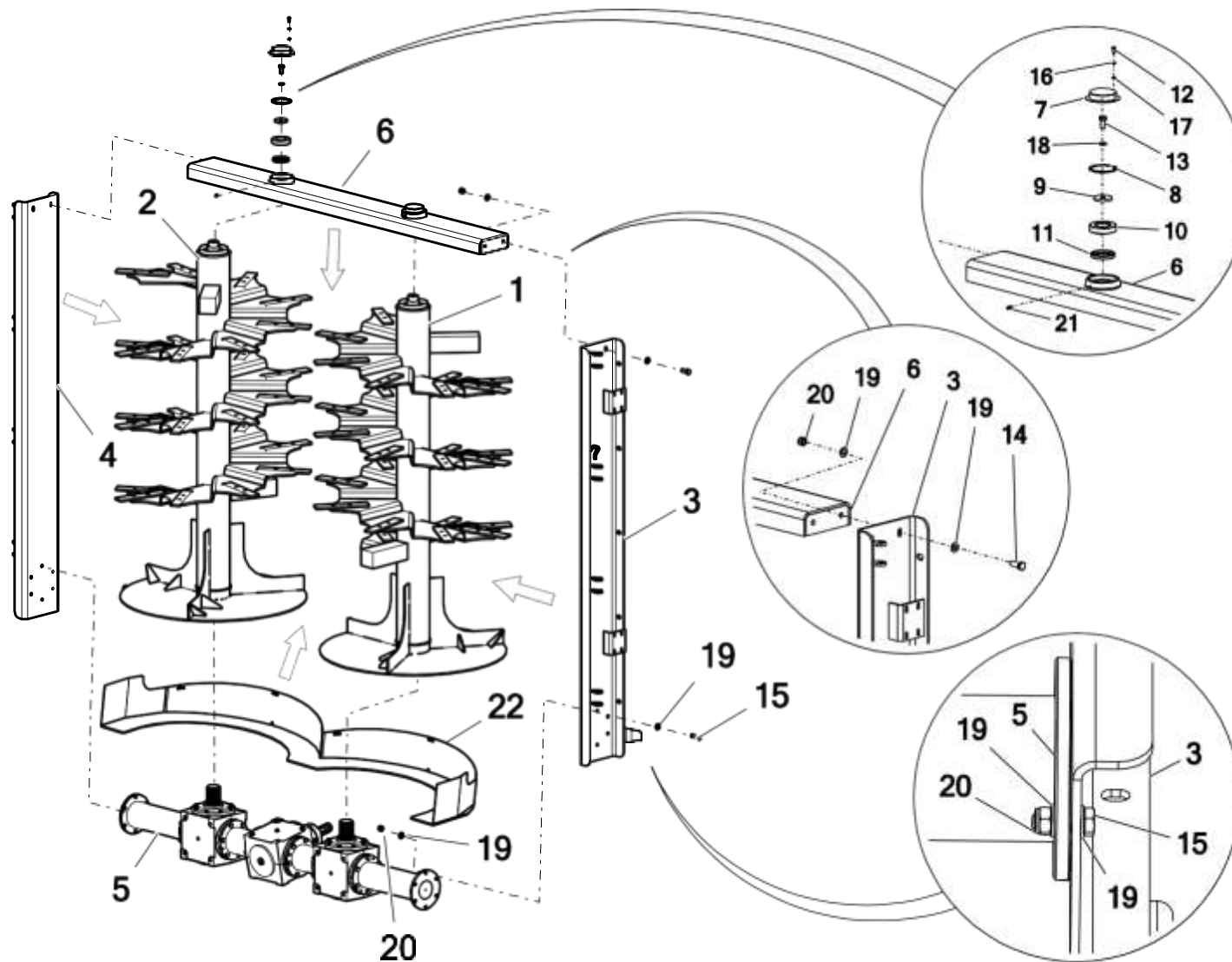
12. 2-ROTOR VERTICAL ADAPTER



12. 2-ROTOR VERTICAL ADAPTER

No.	Part or assembly name	Fig. or index No.			
		N272/1	Number	N272/2	Number
1	Right auger (12.14 T)	N272 10.11.00.1P	1	N272 10.11.00.1P	1
2	Left auger (12.14 T)	N272 10.11.00.1L	1	N272 10.11.00.1L	1
3	Right bar, complete	N272 10.13.00	1	N272 10.13.00	1
4	Left bar, complete	N272 10.12.00	1	N272 10.12.00	1
5	Gearbox MB10.04 L-2000 mm (2-rotor), to 2020	POD-WPS-000121	1	POD-WPS-000121	1
	Gearbox MB10.40 L-2000 mm (2-rotor) NEW, from 2021	POD-WPS-000272	1	POD-WPS-000272	1
6	Top bar, complete	N272 10.14.00	1	N272 10.14.00	1
7	Top stopper, complete	N272 10.15.00	2	N272 10.15.00	2
8	Circlip W90	POD-ELZ-000464	2	POD-ELZ-000464	2
9	Bearing washer N272 10.14.05	N272 10.14.05	2	N272 10.14.05	2
10	Self-aligning ball bearing 1210QL	POD-LOZ-000185	2	POD-LOZ-000185	2
11	Sealing ring 60 x 80 x 10	POD-HPZ-000095	2	POD-HPZ-000095	2
12	Bolt 6 x 16 galv. 8.8 82105 82105 8.8	23S6/16 8.8OC	4	23S6/16 8.8OC	4

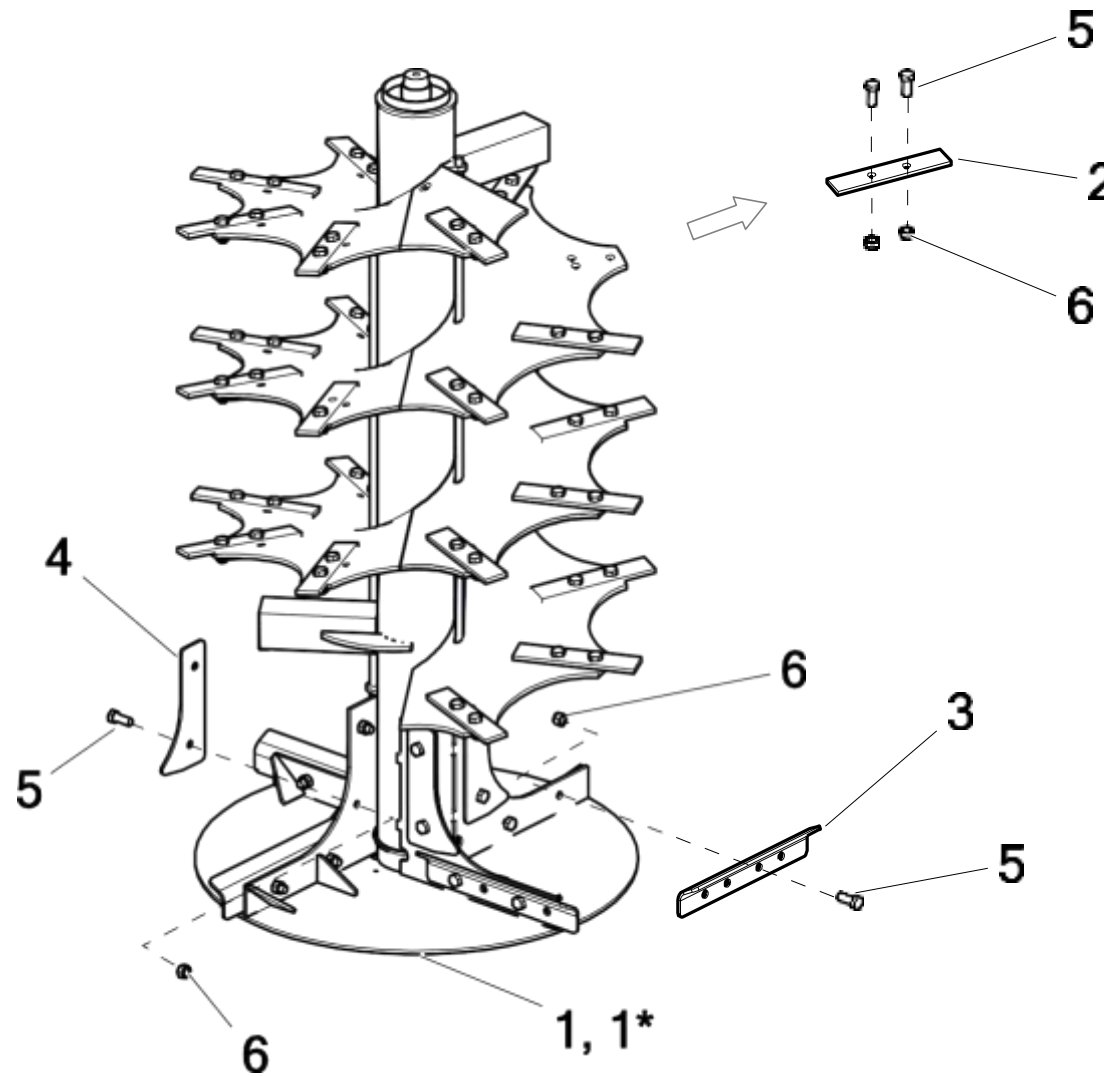
12. 2-ROTOR VERTICAL ADAPTER



12. 2-ROTOR VERTICAL ADAPTER

No.	Part or assembly name	Fig. or index No.			
		N272/1	Number	N272/2	Number
13	Bolt 14 x 30 galv. 8.8 82105	POD-ELZ-000524	2	POD-ELZ-000524	2
14	Bolt 14 x 40 galv. 8.8 82105 82105	23S14/40 8.8	4	23S14/40 8.8	4
15	Bolt 14 x 50 galv. 8.8 82105 82105	23S14/50 8.8 82105 OC.	12	23S14/50 8.8 82105 OC.	12
16	Spring washer, 6.1 galv., 82008 82008	23P6SPOC	4	23P6SPOC	4
17	Round washer 6 galv., 82005 82005	23P6OOC	4	23P6OOC	4
18	Spring washer 14.2 galv. 82008 82008	23P14SP	2	23P14SP	2
19	Round washer 14 galv. 82005 82005	23P14OC	32	23P14OC	32
20	Self-locking nut M14, galv., 82175 8 82175 8	23NS14OC	16	23NS14OC	16
21	Lubricating nipple M6 x 1.0 straight	23SM	2	23SM	2
22	Adapter bottom guard	N272-3 13.00.00	1	N272-3 13.00.00	1

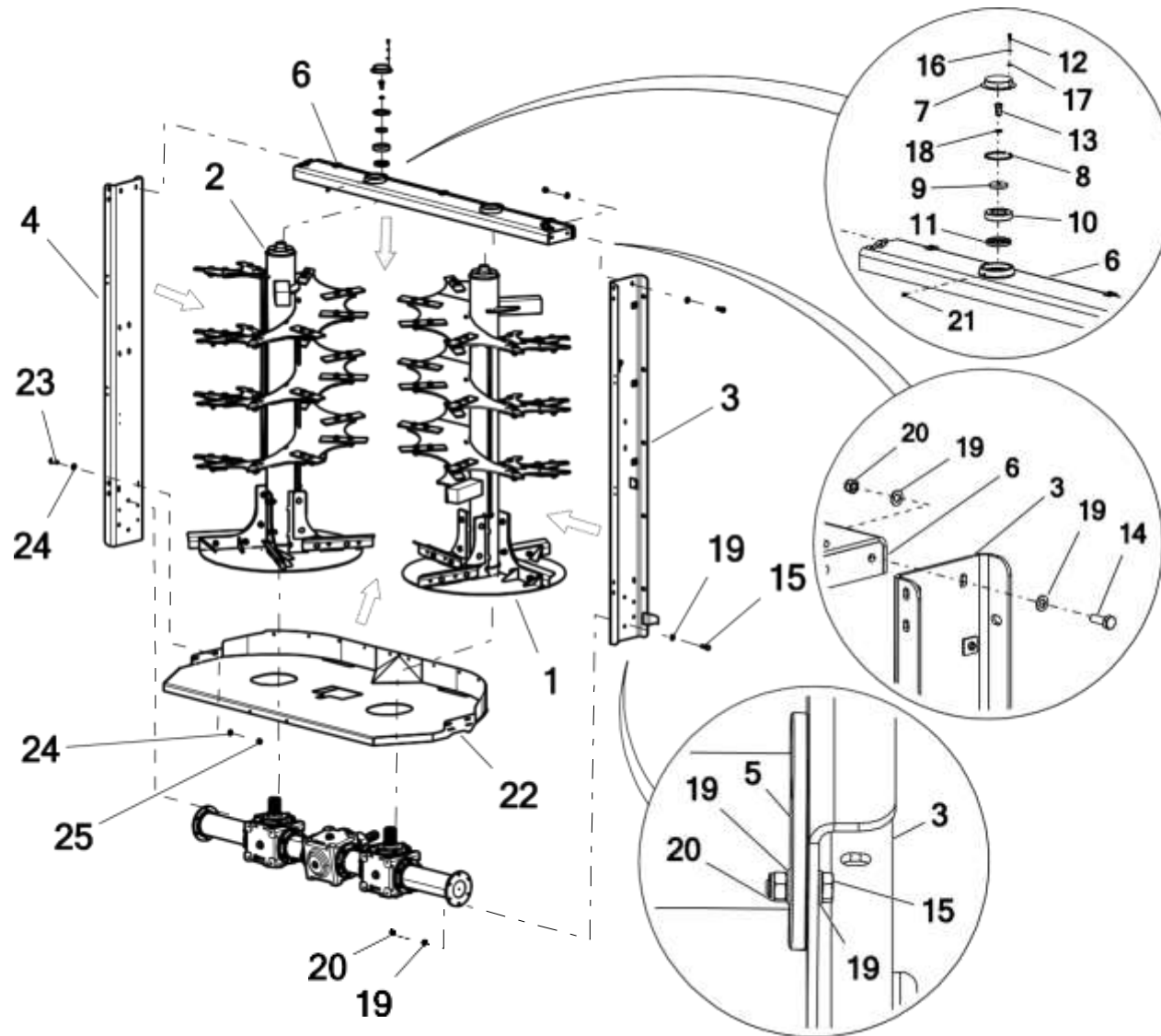
13. LEFT AUGER OF THE 2-ROTOR ADAPTER N272 10.00.00.2B (NEW)



13. LEFT AUGER OF THE 2-ROTOR ADAPTER N272 10.00.00.2B (NEW)

No.	Part or assembly name	Fig. or index No.			
		N272/1	Number	N272/2	Number
1	Left auger	N272 10.51.00L	1	N272 10.51.00L	1
1*	Right auger	N272 10.51.00P	1	N272 10.51.00P	1
2	Flat bar	N272 10.11.21	25	N272 10.11.21	25
3	Screw-on disc blade (Hardox)	N272 10.31.22.1	4	N272 10.31.22.1	4
4	Screw-on side blade	N272 10.31.23	4	N272 10.31.23	4
5	Bolt 16 x 40 galv. 8.8 82105 82105	23S16/40 8.8OC	66	23S16/40 8.8OC	66
6	Self locking nut M16, galv., 82175 8 82175 8	23NS16OC	66	23NS16OC	66

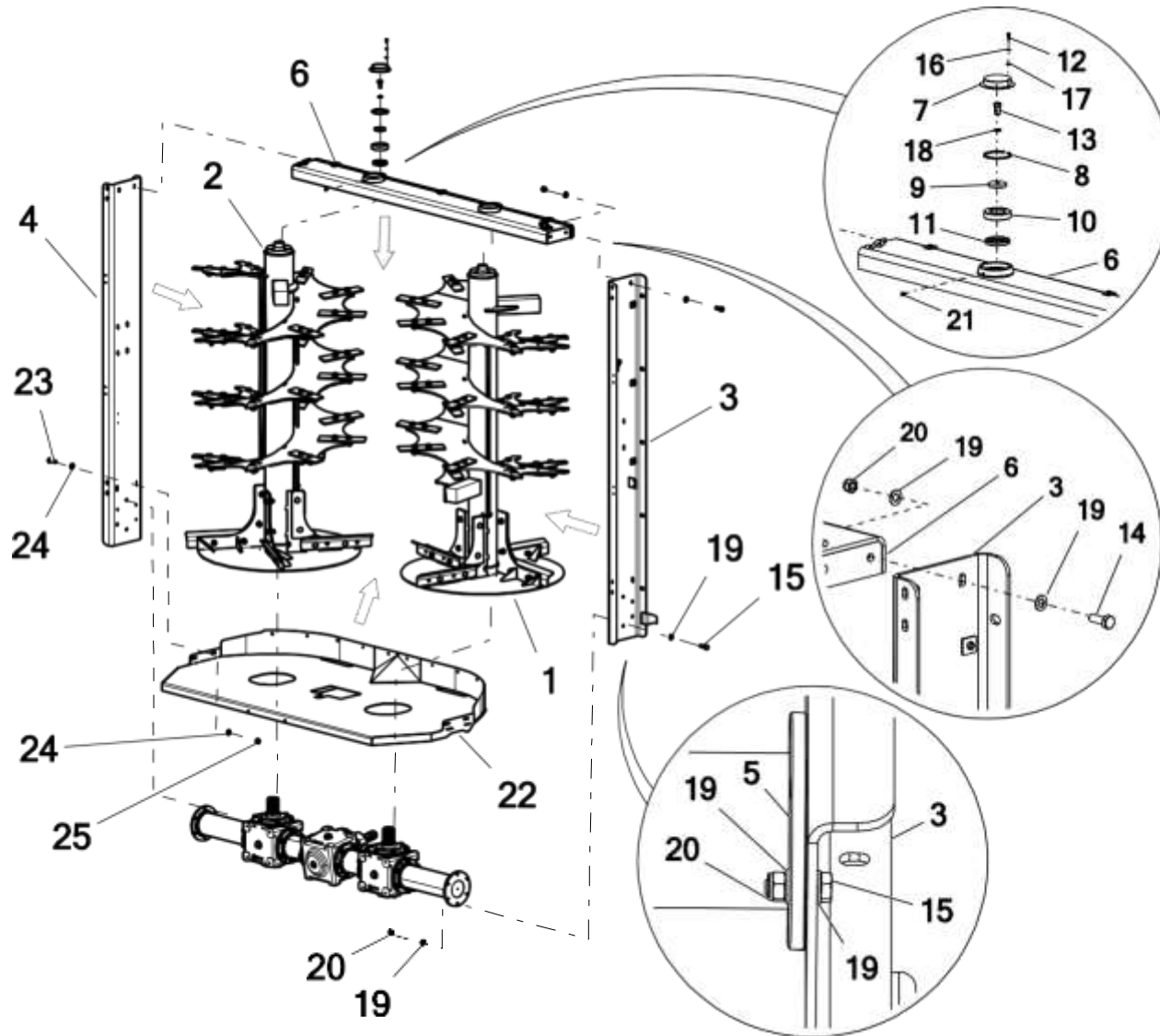
14. 2-ROTOR ADAPTER N272 10.00.00.2B (NEW)



14. 2-ROTOR ADAPTER N272 10.00.00.2B (NEW)

No.	Part or assembly name	Fig. or index No.			
		N272/1	Number	N272/2	Number
1	Right auger	N272 10.51.00P	1	N272 10.51.00P	1
2	Left auger	N272 10.51.00L	1	N272 10.51.00L	1
3	Right frame	N272 10.13.00.1	1	N272 10.13.00.1	1
4	Left bar, complete	N272 10.12.00.1	1	N272 10.12.00.1	1
5	SV2 2000 Grazioli gearbox – unpainted	POD-WPS-000266	1	POD-WPS-000266	1
	Vertical adapter gearbox 2-rotor (L-2000; 1000 rpm) SV2 2000 Grazioli – ainted	PA08 00.00.00		PA08 00.00.00	
6	Top bar, complete	N272 10.14.00	1	N272 10.14.00	1
7	Top stopper, complete	N272 10.15.00	2	N272 10.15.00	2
8	Circlip W90	POD-ELZ-000464	2	POD-ELZ-000464	2
9	Bearing washer N272 10.14.05	N272 10.14.05	2	N272 10.14.05	2
10	Self-aligning ball bearing 1210QL	POD-LOZ-000185	2	POD-LOZ-000185	2
11	Sealing ring 60 x 80 x 10	POD-HPZ-000095	2	POD-HPZ-000095	2
12	Bolt 6 x 16 galv. 8.8 82105 82105 8.8	23S6/16 8.8OC	4	23S6/16 8.8OC	4

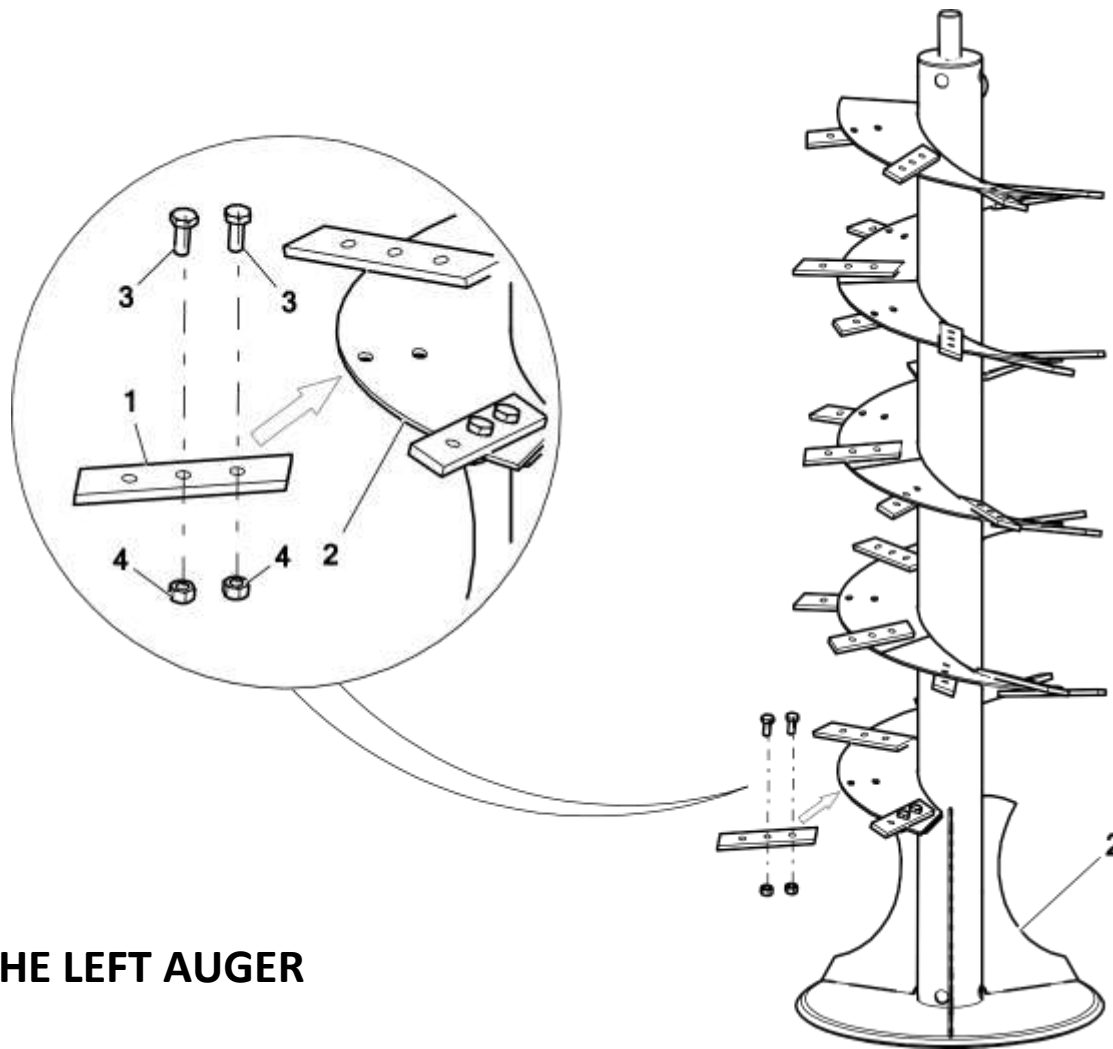
14. 2-ROTOR ADAPTER N272 10.00.00.2B (NEW)



14. 2-ROTOR ADAPTER N272 10.00.00.2B (NEW)

No.	Part or assembly name	Fig. or index No.			
		N272/1	Number	N272/2	Number
13	Bolt 14 x 30 galv. 8.8 82105	POD-ELZ-000524	2	POD-ELZ-000524	2
14	Bolt 14 x 40 galv. 8.8 82105 82105	23S14/40 8.8	4	23S14/40 8.8	4
15	Bolt 14 x 50 galv. 8.8 82105 82105	23S14/50 8.8 82105 OC.	12	23S14/50 8.8 82105 OC.	12
16	Spring washer, 6.1 galv., 82008 82008	23P6SPOC	4	23P6SPOC	4
17	Round washer 6 galv., 82005 82005	23P6OOC	4	23P6OOC	4
18	Spring washer 14.2 galv. 82008 82008	23P14SP	2	23P14SP	2
19	Round washer 14 galv. 82005 82005	23P14OC	32	23P14OC	32
20	Self-locking nut M14, galv., 82175 8 82175 8	23NS14OC	16	23NS14OC	16
21	Lubricating nipple M6 x 1.0 straight	23SM	2	23SM	2
22	Adapter bottom guard	N272-3 13.04.00	1	N272-3 13.04.00	1
23	Carriage bolt 8 x 30 galv., 8 82406 82406	23S8/30P	4	23S8/30P	4
24	Round washer 8 galv., coated 82019	23P8 82019OC	8	23P8 82019OC	8
25	Self-locking nut M8, galv., 82175 8 82175 8	23NS8OC	4	23NS8OC	4

15. AUGER OF THE 4-ROTOR VERTICAL ADAPTER

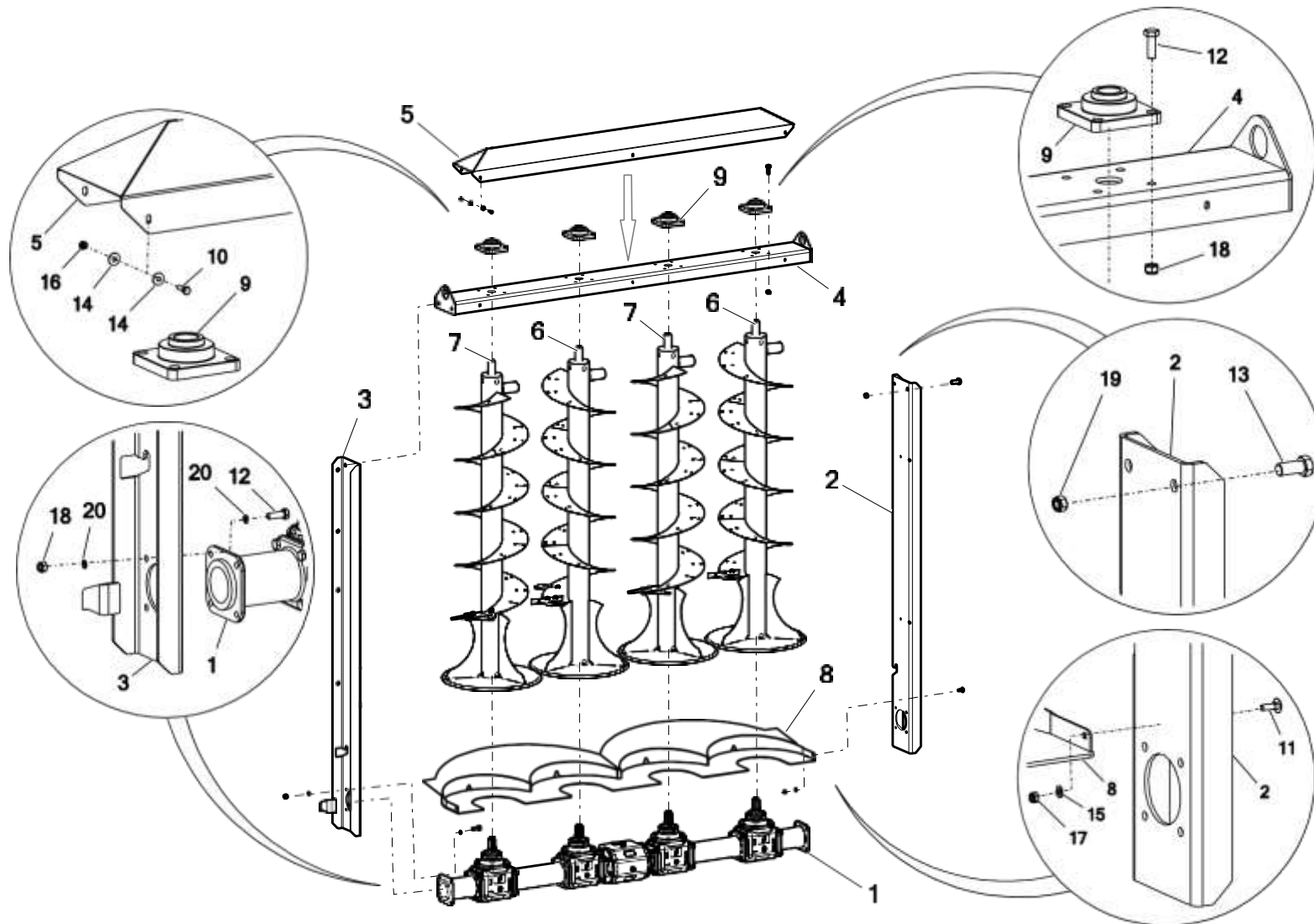


VIEW OF THE LEFT AUGER

15. AUGER OF THE 4-ROTOR VERTICAL ADAPTER

No.	Part or assembly name	Fig. or index No.			
		N272/1	Number	N272/2	Number
1	Auger blade	N267 09.00.07.2	32	N267 09.00.07.2	32
2	Left auger	N267 09.10.00	1	N267 09.10.00	1
3	Bolt 10 x 25 galv. 8.8 82105 82105	23S10/25OC 8.8	64		
4	Nut M10 galv. 82144 5 82144 5	23N10OC	64	23N10OC	64

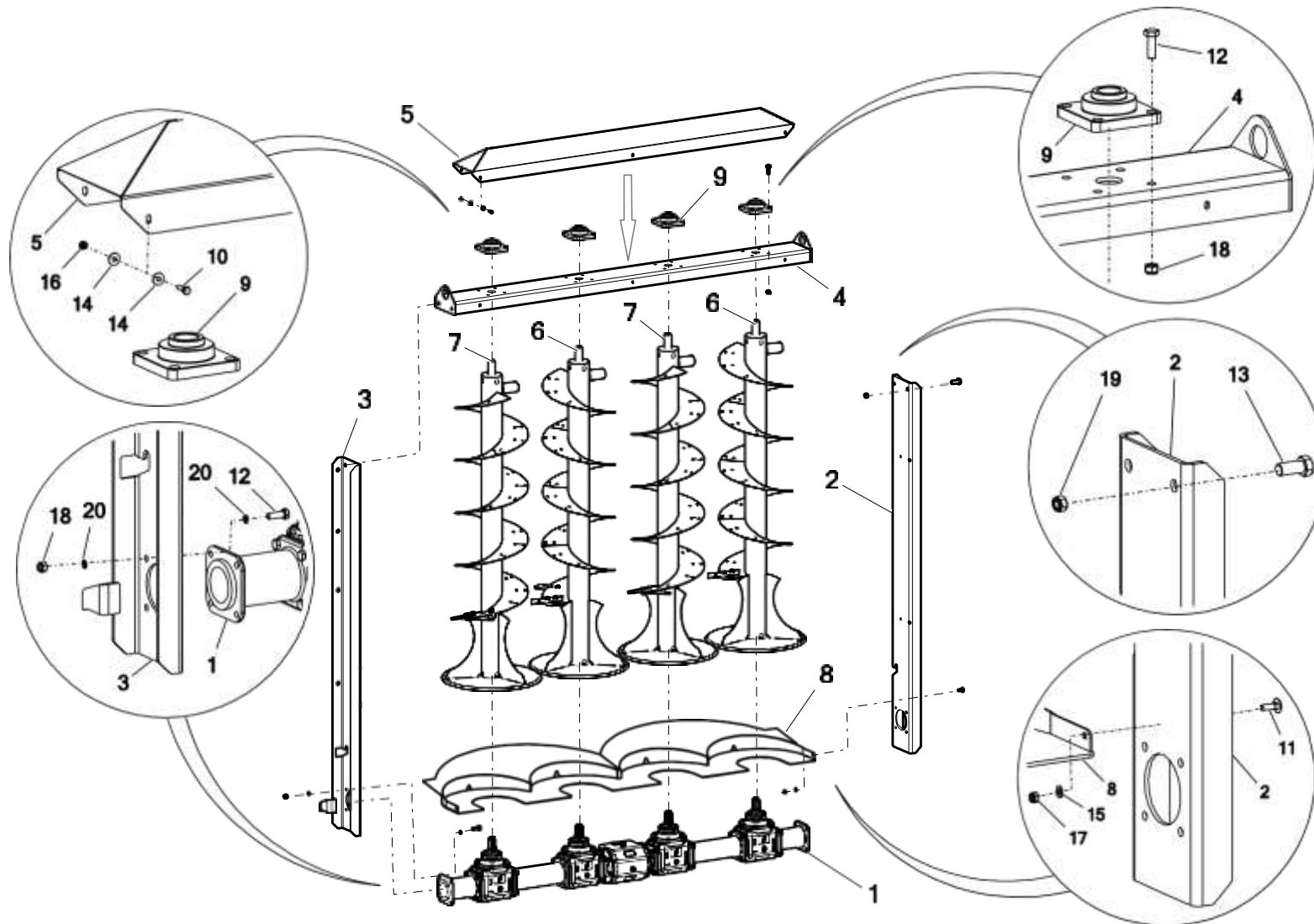
16. 4-ROTOR VERTICAL ADAPTER



16. 4-ROTOR VERTICAL ADAPTER

No.	Part or assembly name	Fig. or index No.			
		N272/1	Number	N272/2	Number
1	Gearbox PRK-051-01.1AAAA.R1 - complete	POD-WPS-000208	1	POD-WPS-000208	1
	Gearbox MB10.40 L-2000 mm (2-rotor)	POD-WPS-000272		POD-WPS-000272	
2	Frame of the right adapter	N267 09.03.01.1	1	N267 09.03.01.1	1
3	Left bar, complete N272 10.12.00-A4	N272 10.12.00-A4	1	N272 10.12.00-A4	1
4	Right bar, complete N272 10.13.00-A4	N272 10.13.00-A4	1	N272 10.13.00-A4	1
5	Upper guard, complete	N267 09.08.00	1	N267 09.08.00	1
6	Left auger with blades	N267 09.10.10	2	N267 09.10.00	2
7	Right auger with blades	N267 09.20.10	2	N267 09.20.00	2
8	Bottom guard N272 13.02.00	N272 13.02.00	1	N272 13.02.00	1
9	Bearing unit UCF207	NPOD-LOZ-000101	4	NPOD-LOZ-000101	4
10	Bolt 6 x 20 galv. 8.8 82105 82105 8.8	23S6/20	6	23S6/20	6
11	Carriage bolt 8 x 25 galv., 8.8 82406 82406	23S8/25OC 82406	2	23S8/25OC 82406	2
12	Bolt 12 x 35 galv. 8.8 82105 82105	23S12/35OC 8.8	24	23S12/35OC 8.8	24
13	Bolt 16 x 35 galv. 8.8 82105 82105	23S16/35 8.8OC	4	23S16/35 8.8OC	4
14	Round washer 6 galv., coated 82030	23P6OC030	12	23P6OC030	12
15	Round washer 8 galv., 82005 82005	23P8OOC	2	23P8OOC	2

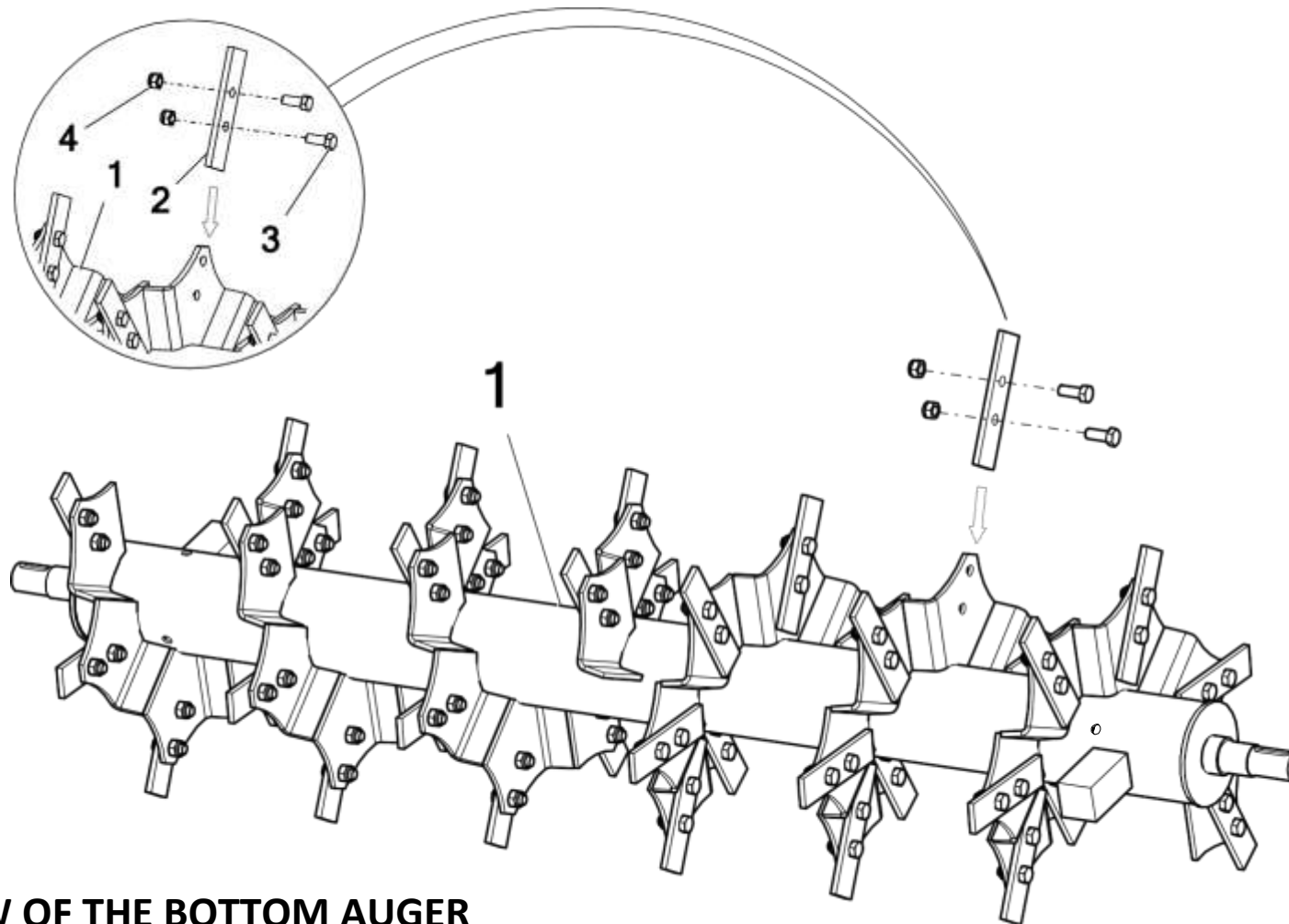
16. 4-ROTOR VERTICAL ADAPTER



16. 4-ROTOR VERTICAL ADAPTER

No.	Part or assembly name	Fig. or index No.			
		N272/1	Number	N272/2	Number
16	Self-locking nut M6 galv., 82175 8 82175 8	23NS6OC	6	23NS6OC	6
17	Self-locking nut M8, galv., 82175 8 82175 8	23NS8OC	2	23NS8OC	2
18	Self locking nut M12 galv., 82175 8 82175 8	23NS12OC	24	23NS12OC	24
19	Self locking nut M16, galv., 82175 8 82175 8	23NS16OC	4	23NS16OC	4

17. AUGER OF THE 2-ROTOR HORIZONTAL DISC ADAPTER



VIEW OF THE BOTTOM AUGER

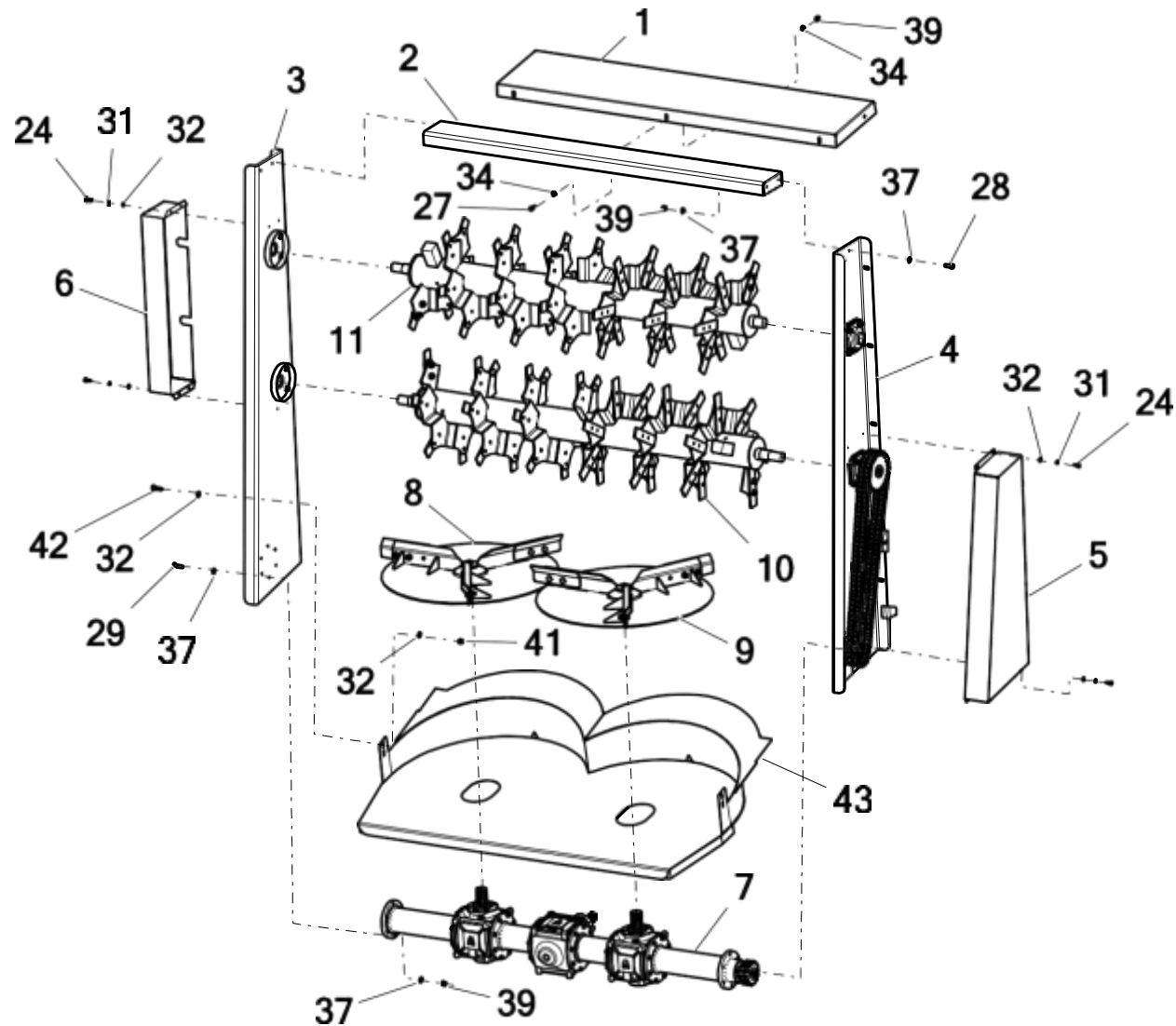
17. AUGER OF THE 2-ROTOR HORIZONTAL DISC ADAPTER

No.	Part or assembly name	Fig. or index No.			
		N272/1	Number	N272/2	Number
1	Bottom auger N272 11.05.00	N272 11.05.00	1	N272 11.05.00	1
1*	Top auger N272 11.06.00	N272 11.06.00	1	N272 11.06.00	1
2	Horizontal auger blade	N272 11.05.10	38	N272 11.05.10	38
3	Bolt 16 x 40 galv. 8.8 82105 82105	23S16/40 8.8OC	76	23S16/40 8.8OC	76
4	Self locking nut M16, galv., 82175 8 82175 8	23NS16OC	76	23NS16OC	76

Key:

1* – Top auger (differs from bottom auger in pivots). The auger is sold with blades as it is balanced.

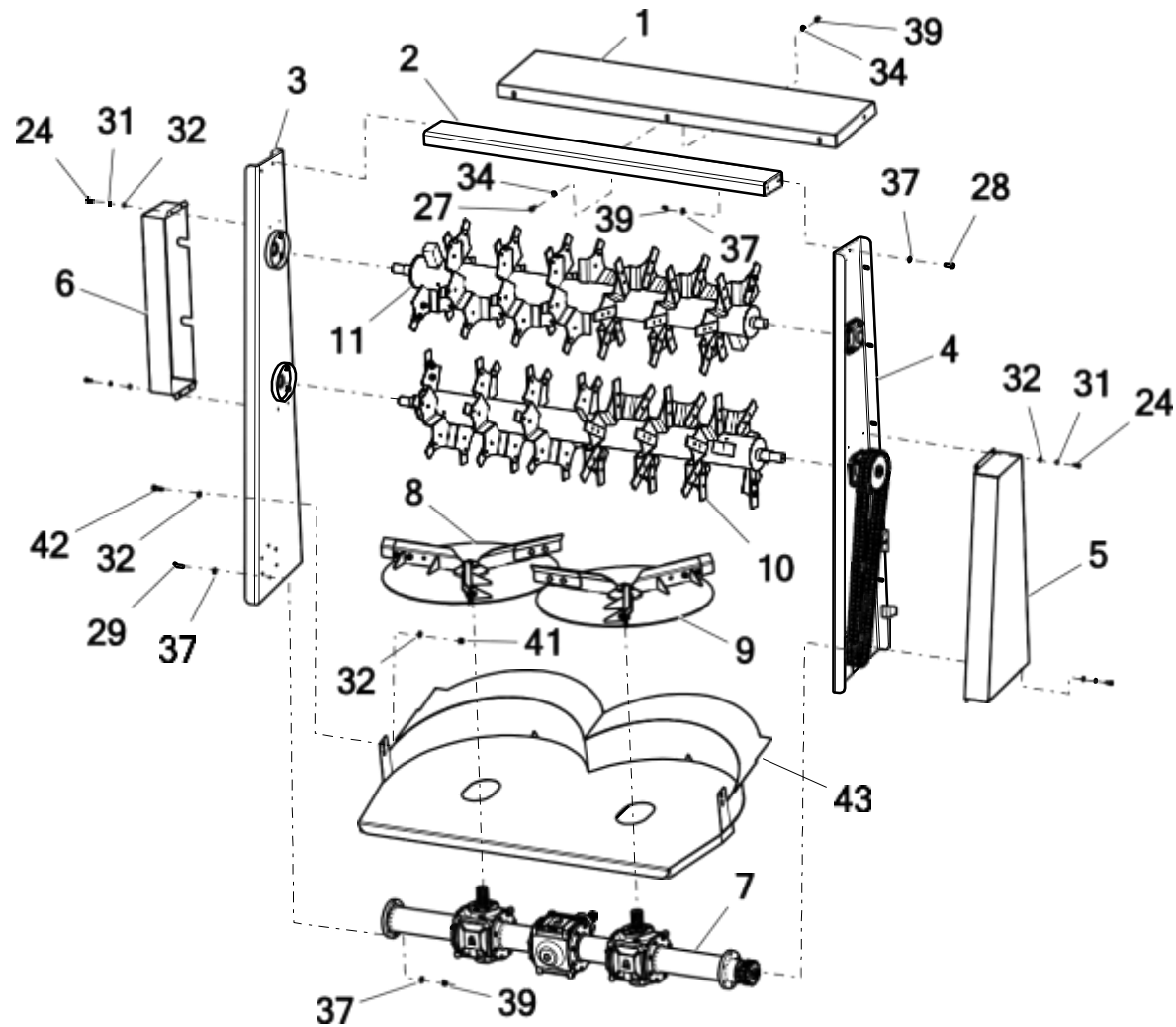
18. HORIZONTAL 2-ROTOR DISC ADAPTER



18. HORIZONTAL 2-ROTOR DISC ADAPTER

No.	Part or assembly name	Fig. or index No.			
		N272/1	Number	N272/2	Number
1	Adapter top guard	N272 03.00.08	1	N272 03.00.08	1
2	Top bar	N272 11.04.00	1	N272 11.04.00	1
3	Left frame	N272 11.02.00	1	N272 11.02.00	1
4	Right frame	N272 11.03.00	1	N272 11.03.00	1
5	Bottom guard, complete	N272 11.07.00	1	N272 11.07.00	1
6	Upper guard, complete	N272 11.08.00	1	N272 11.08.00	1
7	Gearbox MB10.18, complete	POD-WPS-000190	1	POD-WPS-000190	1
8	Left bottom disc	N272 11.01.00.1L	1	N272 11.01.00.1L	1
9	Right bottom disc	N272 11.01.00.1P	1	N272 11.01.00.1P	1
10	Bottom auger	N272 11.05.00	1	N272 11.05.00	1
11	Top auger	N272 11.06.00	1	N272 11.06.00	1
12	Bearing assembly LEFG 210 TDT	POD-LOZ-000357	4	POD-LOZ-000357	4
13*	Chain wheel, 24 teeth	MBS 10.18-02	1	MBS 10.18-02	1
14*	Drive wheel, 15 teeth	MBS 10.18-01	2	MBS 10.18-01	2
15	Gear chain tensioner	N272 11.09.09	1	N272 11.09.09	1
16	Gear chain tensioner	N272 11.09.06	1	N272 11.09.06	1
17	Plug	N272 11.09.07	1	N272 11.09.07	1

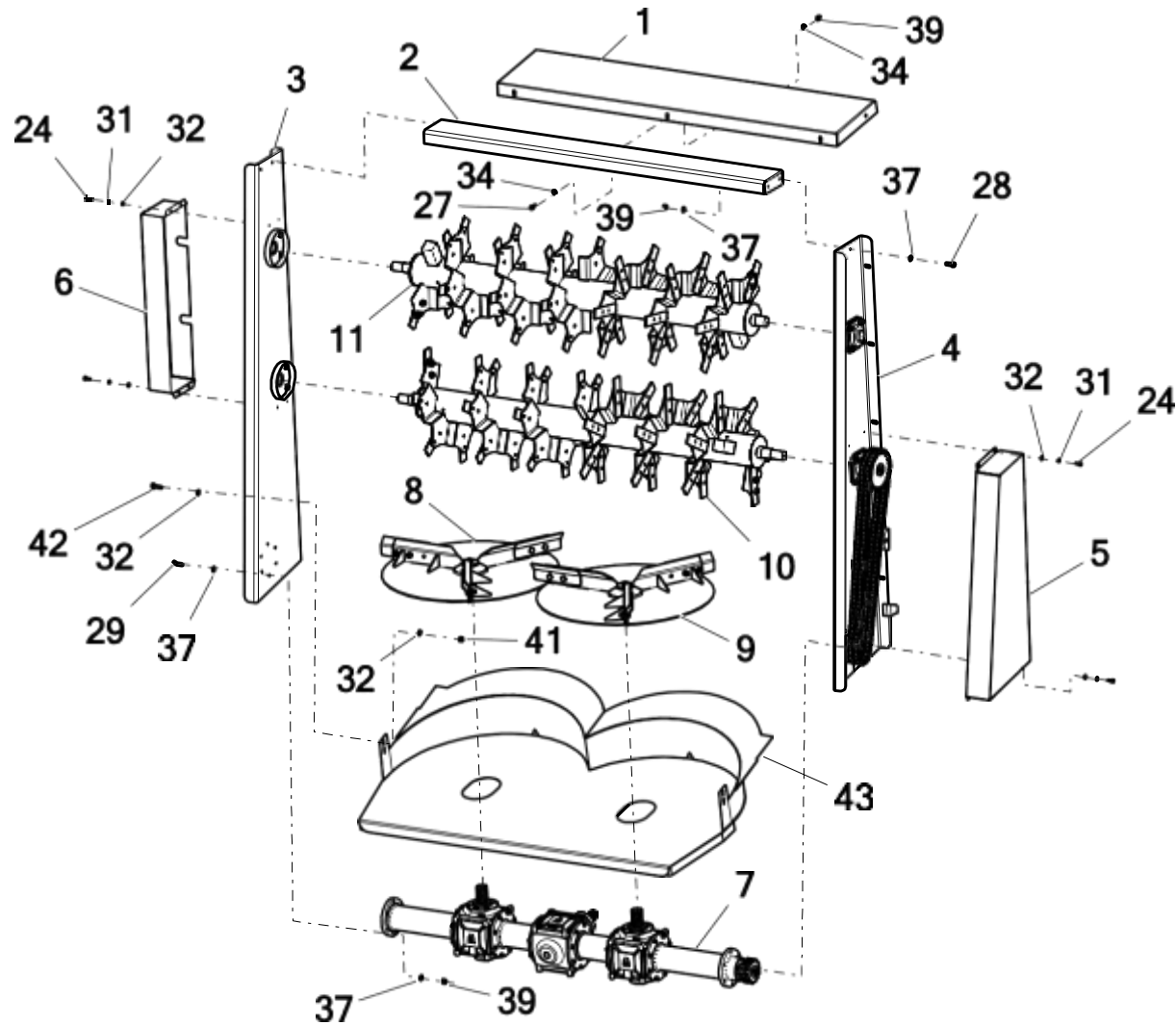
18. HORIZONTAL 2-ROTOR DISC ADAPTER



18. HORIZONTAL 2-ROTOR DISC ADAPTER

No.	Part or assembly name	Fig. or index No.			
		N272/1	Number	N272/2	Number
18	Chain 16B2, 91 links + connector (2.35 m)	POD-LAN-000113	1	POD-LAN-000113	1
19	Chain 20B1, 59 links + connector (1.91 m)	POD-LAN-000114	1	POD-LAN-000114	1
20	Tensioner flat bar	N272 11.09.05	2	N272 11.09.05	2
21	Key 14 x 9 x 63	POD-ELZ-000837	1	POD-ELZ-000837	1
22	Key 14 x 9 x 50	POD-ELZ-000691	2	POD-ELZ-000691	2
23	Screw-on disc blade	N272 11.09.08	6	N272 11.09.08	6
24	Bolt 10 x 25 galv. 8.8 82105 82105	23S10/25OC 8.8	8	23S10/25OC 8.8	8
25	Bolt 10 x 80 galv. 8.8 82101	POD-ELZ-000452	2	POD-ELZ-000452	2
26	Allen bolt 10 x 110 galv. 8.8 82302	POD-ELZ-000836	2	POD-ELZ-000836	2
27	Bolt 12 x 35 galv. 8.8 82105 82105	23S12/35OC 8.8	6	23S12/35OC 8.8	6
28	Bolt 14 x 40 galv. 8.8 82105 82105	23S14/40 8.8	6	23S14/40 8.8	6
29	Bolt 14 x 50 galv. 8.8 82105 82105	23S14/50 8.8 82105 OC.	12	23S14/50 8.8 82105 OC.	12
30	Bolt 16 x 40 galv. 8.8 82105 82105	23S16/40 8.8OC	12	23S16/40 8.8OC	12
31	Spring washer 10.2 galv. 82008 82008	23P10SP	2	23P10SP	2
32	Round washer 10 galv. 82005 82005	23P10 82005	10	23P10 82005	10
33	Spring washer 12 galv., 82008 82008	23P12SP	3	23P12SP	3
34	Round washer 12 galv., 82005	23P12OC	9	23P12OC	9

18. HORIZONTAL 2-ROTOR DISC ADAPTER



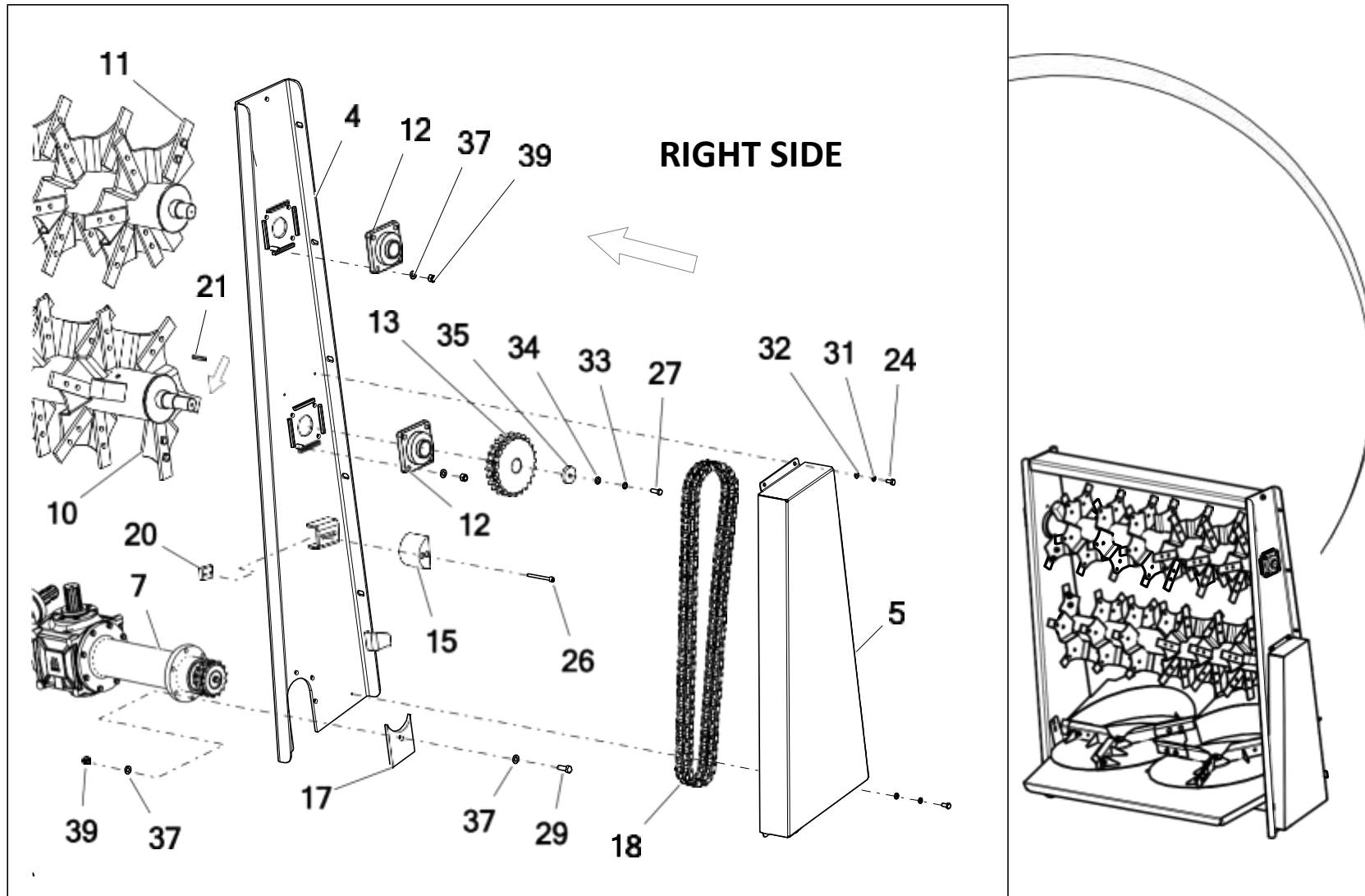
18. HORIZONTAL 2-ROTOR DISC ADAPTER

No.	Part or assembly name	Fig. or index No.			
		N272/1	Number	N272/2	Number
35	Locking washer	N272 11.09.02	3	N272 11.09.02	3
36*	Chain wheel, 14 teeth	MB 10.18-30.04	1	MB 10.18-30.04	1
37	Round washer 14 galv. 82005 82005	23P14OC	60	23P14OC	60
38	Thrust washer	N272 11.09.10	2	N272 11.09.10	2
39	Self-locking nut M14, galv., 82175 8 82175 8	23NS14OC	35	23NS14OC	35
40	Self locking nut M16, galv., 82175 8 82175 8	23NS16OC	12	23NS16OC	12
41	Self locking nut m10oc 82175 82175 8	23NS10OC	4	23NS10OC	4
42	Bolt 10 x 30 galv. 8.8 82105 82105	23S10/30OC 8.8	4	23S10/30OC 8.8	4
43	Lower guard	N272 13.02.00	1	N272 13.02.00	1
44*	Bolt M12 x 45-8.8	PN-EN ISO 2009:1999	1	PN-EN ISO 2009:1999	1
45*	Parallel key B 14 x 9 x 60	PN-70/M-85005	1	PN-70/M-85005	1
46*	Pressure pad	MB 10.18-30.05	1	MB 10.18-30.05	1
47*	Spring washer ø12.2	PN-77/M-82008	1	PN-77/M-82008	1

Key:

13*, 14*, 29*, 36*, 44*, 45*, 46*, 47* – included as part of the following set: gearbox MB10.18, complete (4 chain wheels) - **POD-WPS-000190**

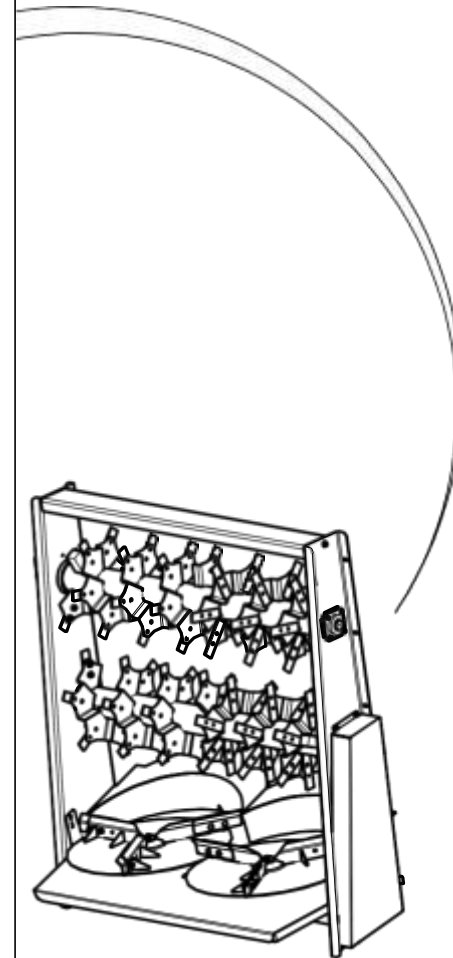
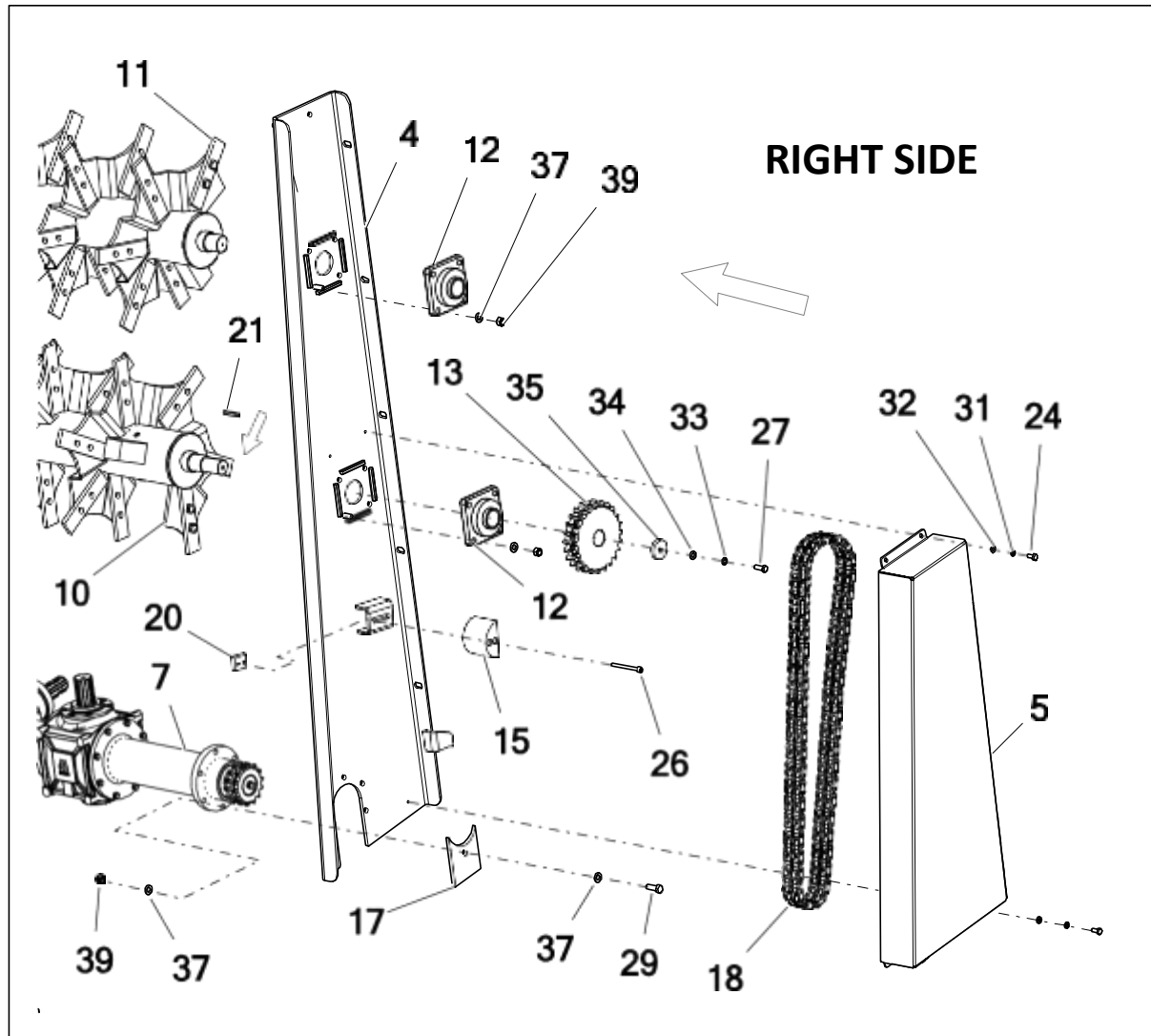
18. HORIZONTAL 2-ROTOR DISC ADAPTER



18. HORIZONTAL 2-ROTOR DISC ADAPTER

No.	Part or assembly name	Fig. or index No.			
		N272/1	Number	N272/2	Number
1	Adapter top guard	N272 03.00.08	1	N272 03.00.08	1
2	Top bar	N272 11.04.00	1	N272 11.04.00	1
3	Left frame	N272 11.02.00	1	N272 11.02.00	1
4	Right frame	N272 11.03.00	1	N272 11.03.00	1
5	Bottom guard, complete	N272 11.07.00	1	N272 11.07.00	1
6	Upper guard, complete	N272 11.08.00	1	N272 11.08.00	1
7	Gearbox MB10.18, complete	POD-WPS-000190	1	POD-WPS-000190	1
8	Left bottom disc	N272 11.01.00.1L	1	N272 11.01.00.1L	1
9	Right bottom disc	N272 11.01.00.1P	1	N272 11.01.00.1P	1
10	Bottom auger	N272 11.05.00	1	N272 11.05.00	1
11	Top auger	N272 11.06.00	1	N272 11.06.00	1
12	Bearing assembly LEFG 210 TDT	POD-LOZ-000357	4	POD-LOZ-000357	4
13*	Chain wheel, 24 teeth	MBS 10.18-02	1	MBS 10.18-02	1
14*	Drive wheel, 15 teeth	MBS 10.18-01	2	MBS 10.18-01	2
15	Gear chain tensioner	N272 11.09.09	1	N272 11.09.09	1
16	Gear chain tensioner	N272 11.09.06	1	N272 11.09.06	1
17	Plug	N272 11.09.07	1	N272 11.09.07	1

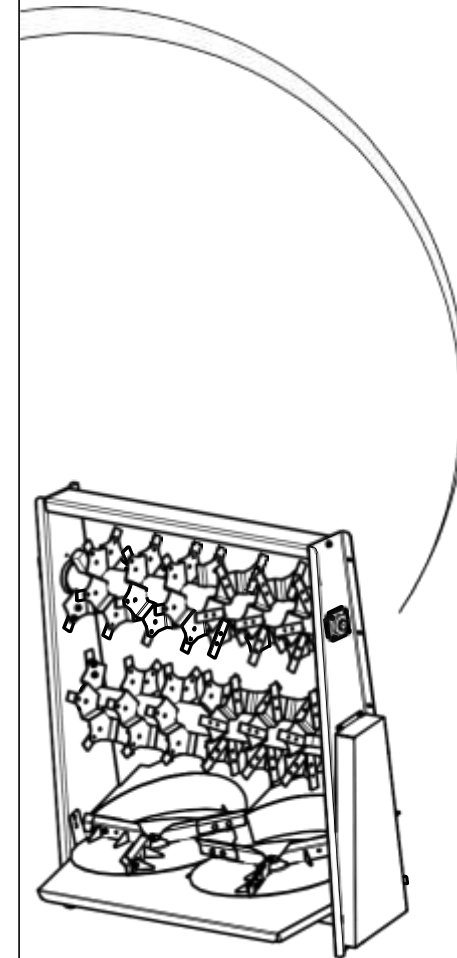
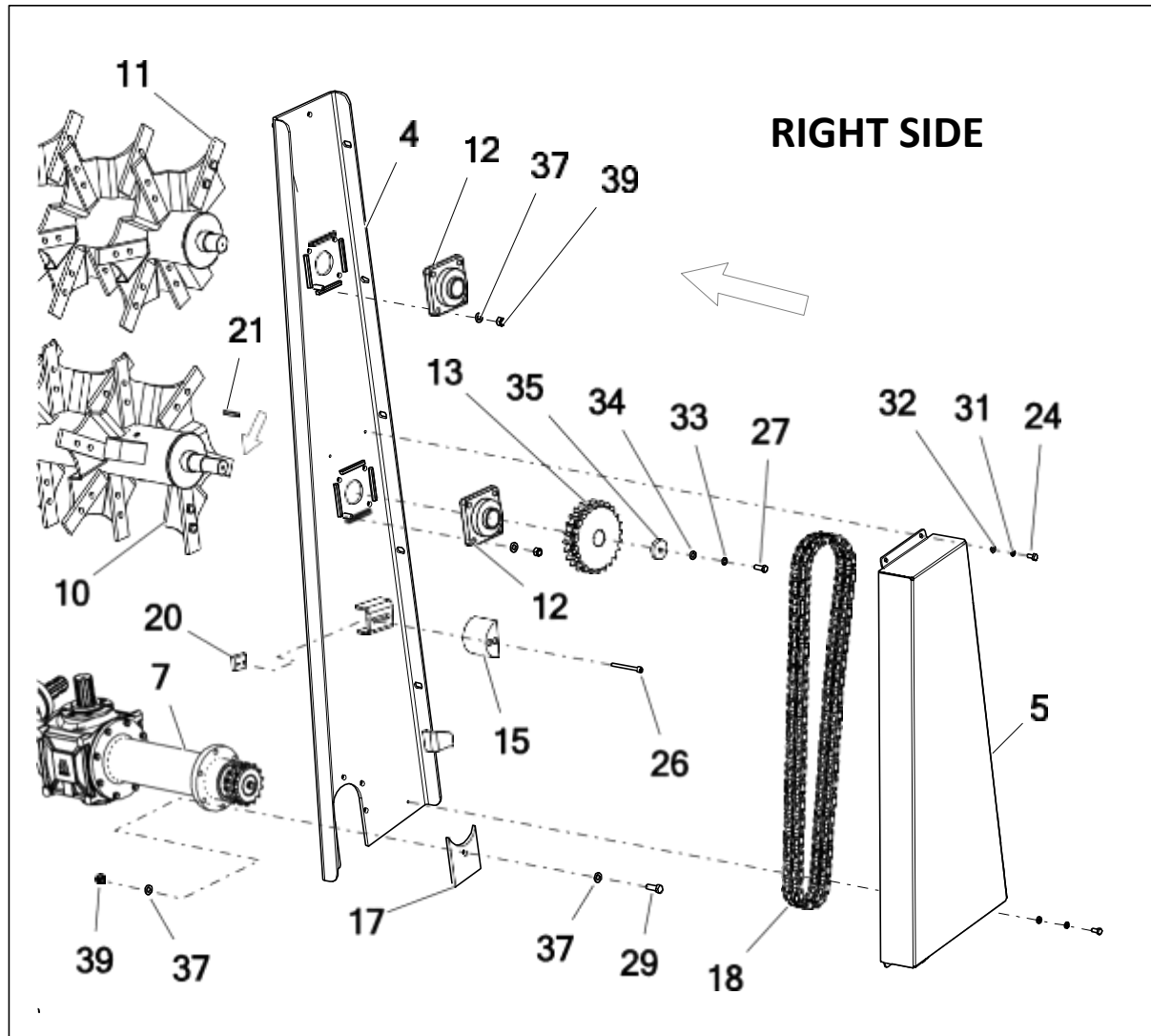
18. HORIZONTAL 2-ROTOR DISC ADAPTER



18. HORIZONTAL 2-ROTOR DISC ADAPTER

No.	Part or assembly name	Fig. or index No.			
		N272/1	Number	N272/2	Number
18	Chain 16B2, 91 links + connector (2.35 m)	POD-LAN-000113	1	POD-LAN-000113	1
19	Chain 20B1, 59 links + connector (1.91 m)	POD-LAN-000114	1	POD-LAN-000114	1
20	Tensioner flat bar	N272 11.09.05	2	N272 11.09.05	2
21	Key 14 x 9 x 63	POD-ELZ-000837	1	POD-ELZ-000837	1
22	Key 14 x 9 x 50	POD-ELZ-000691	2	POD-ELZ-000691	2
23	Screw-on disc blade	N272 11.09.08	6	N272 11.09.08	6
24	Bolt 10 x 25 galv. 8.8 82105 82105	23S10/25OC 8.8	8	23S10/25OC 8.8	8
25	Bolt 10 x 80 galv. 8.8 82101	POD-ELZ-000452	2	POD-ELZ-000452	2
26	Allen bolt 10 x 110 galv. 8.8 82302	POD-ELZ-000836	2	POD-ELZ-000836	2
27	Bolt 12 x 35 black 8.8 82105	POD-ELZ-000954	6	POD-ELZ-000954	6
28	Bolt 14 x 40 galv. 8.8 82105 82105	23S14/40 8.8	6	23S14/40 8.8	6
29	Bolt 14 x 50 galv. 8.8 82105 82105	23S14/50 8.8 82105 OC.	12	23S14/50 8.8 82105 OC.	12
30	Bolt 16 x 40 galv. 8.8 82105 82105	23S16/40 8.8OC	12	23S16/40 8.8OC	12
31	Spring washer 10.2 galv. 82008 82008	23P10SP	2	23P10SP	2
32	Round washer 10 galv. 82005 82005	23P10 82005	10	23P10 82005	10
33	Spring washer 12 galv., 82008 82008	23P12SP	3	23P12SP	3
34	Round washer 12 galv., 82005	23P12OC	9	23P12OC	9

18. HORIZONTAL 2-ROTOR DISC ADAPTER



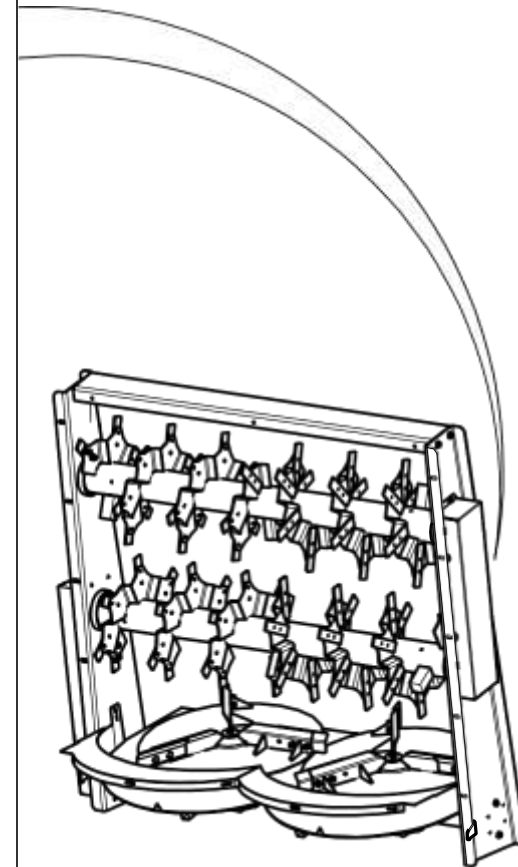
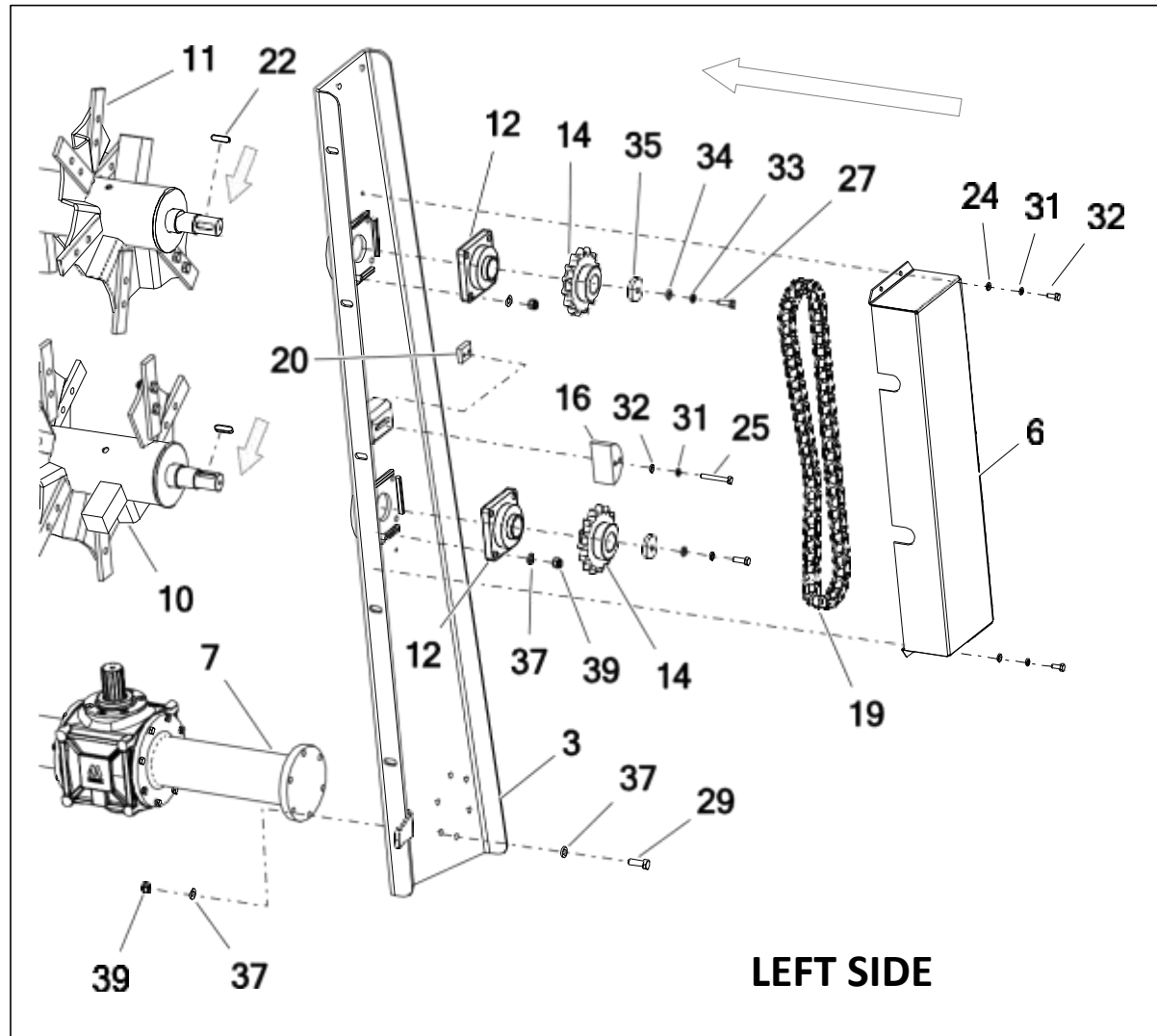
18. HORIZONTAL 2-ROTOR DISC ADAPTER

No.	Part or assembly name	Fig. or index No.			
		N272/1	Number	N272/2	Number
35	Locking washer	N272 11.09.02	3	N272 11.09.02	3
36*	Chain wheel, 14 teeth	MB 10.18-30.04	1	MB 10.18-30.04	1
37	Round washer 14 galv. 82005 82005	23P14OC	60	23P14OC	60
38	Thrust washer	N272 11.09.10	2	N272 11.09.10	2
39	Self locking nut M14 galv., 82175 8 82175 8	23NS14OC	35	23NS14OC	35
40	Self locking nut M16 galv., 82175 8 82175 8	23NS16OC	12	23NS16OC	12
41	Self locking nut m10oc 82175 82175 8	23NS10OC	4	23NS10OC	4
42	Bolt 10 x 30 galv. 8.8 82105 82105	23S10/30OC 8.8	4	23S10/30OC 8.8	4
43	Lower guard	N272 13.02.00	1	N272 13.02.00	1
44*	Bolt M12 x 45-8.8	PN-EN ISO 2009:1999	1	PN-EN ISO 2009:1999	1
45*	Parallel key B 14 x 9 x 60	PN-70/M-85005	1	PN-70/M-85005	1
46*	Pressure pad	MB 10.18-30.05	1	MB 10.18-30.05	1
47*	Spring washer ø12.2	PN-77/M-82008	1	PN-77/M-82008	1

Key:

13*, 14*, 29*, 36*, 44*, 45*, 46*, 47* – included as part of the following set: gearbox MB10.18, complete (4 chain wheels) - **POD-WPS-000190**

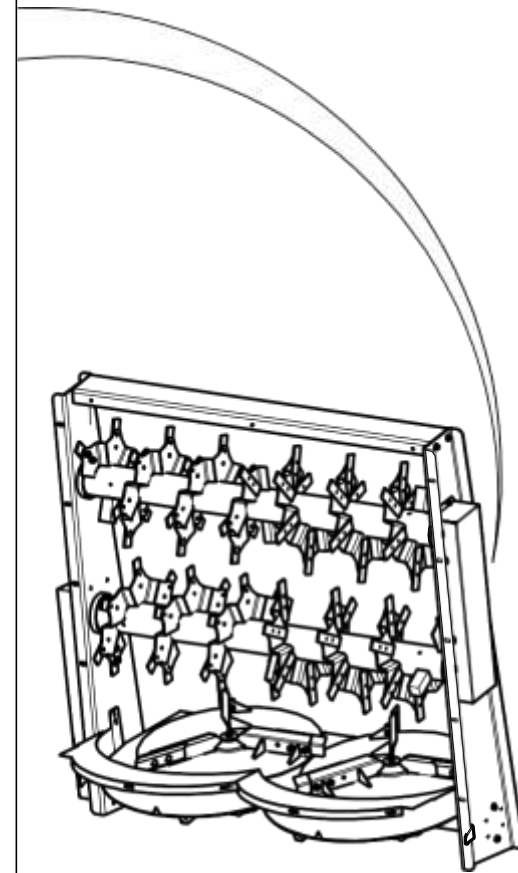
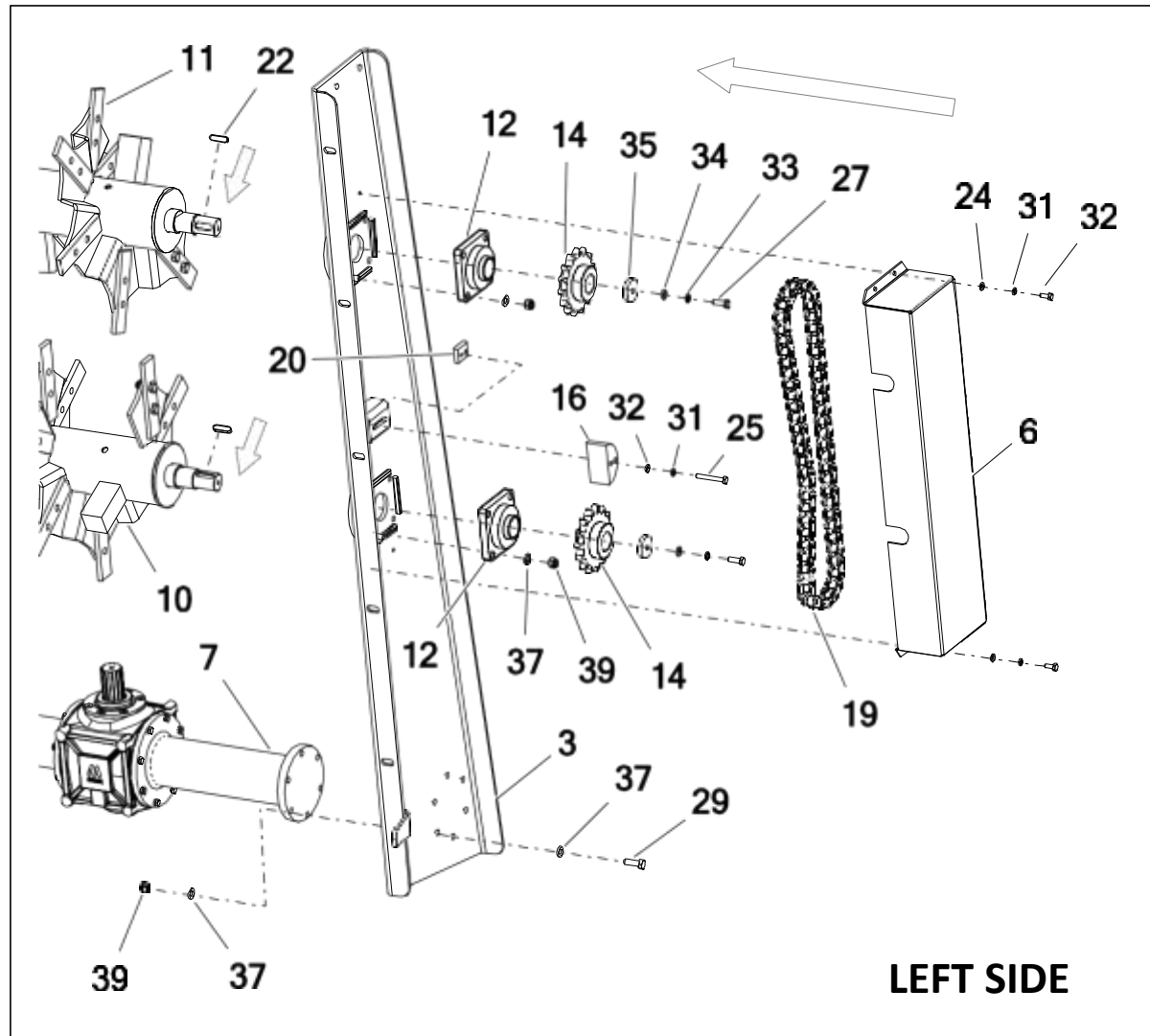
18. HORIZONTAL 2-ROTOR DISC ADAPTER



18. HORIZONTAL 2-ROTOR DISC ADAPTER

No.	Part or assembly name	Fig. or index No.			
		N272/1	Number	N272/2	Number
1	Adapter top guard	N272 03.00.08	1	N272 03.00.08	1
2	Top bar	N272 11.04.00	1	N272 11.04.00	1
3	Left frame	N272 11.02.00	1	N272 11.02.00	1
4	Right frame	N272 11.03.00	1	N272 11.03.00	1
5	Bottom guard, complete	N272 11.07.00	1	N272 11.07.00	1
6	Upper guard, complete	N272 11.08.00	1	N272 11.08.00	1
7	Gearbox MB10.18, complete	POD-WPS-000190	1	POD-WPS-000190	1
8	Left bottom disc	N272 11.01.00.1L	1	N272 11.01.00.1L	1
9	Right bottom disc	N272 11.01.00.1P	1	N272 11.01.00.1P	1
10	Bottom auger	N272 11.05.00	1	N272 11.05.00	1
11	Top auger	N272 11.06.00	1	N272 11.06.00	1
12	Bearing assembly LEFG 210 TDT	POD-LOZ-000357	4	POD-LOZ-000357	4
13*	Chain wheel, 24 teeth	MBS 10.18-02	1	MBS 10.18-02	1
14*	Drive wheel, 15 teeth	MBS 10.18-01	2	MBS 10.18-01	2
15	Gear chain tensioner	N272 11.09.09	1	N272 11.09.09	1
16	Gear chain tensioner	N272 11.09.06	1	N272 11.09.06	1
17	Plug	N272 11.09.07	1	N272 11.09.07	1

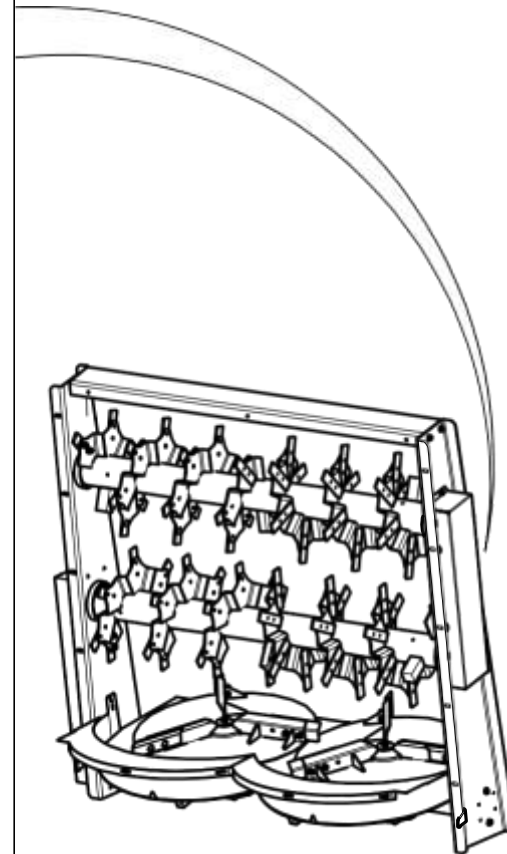
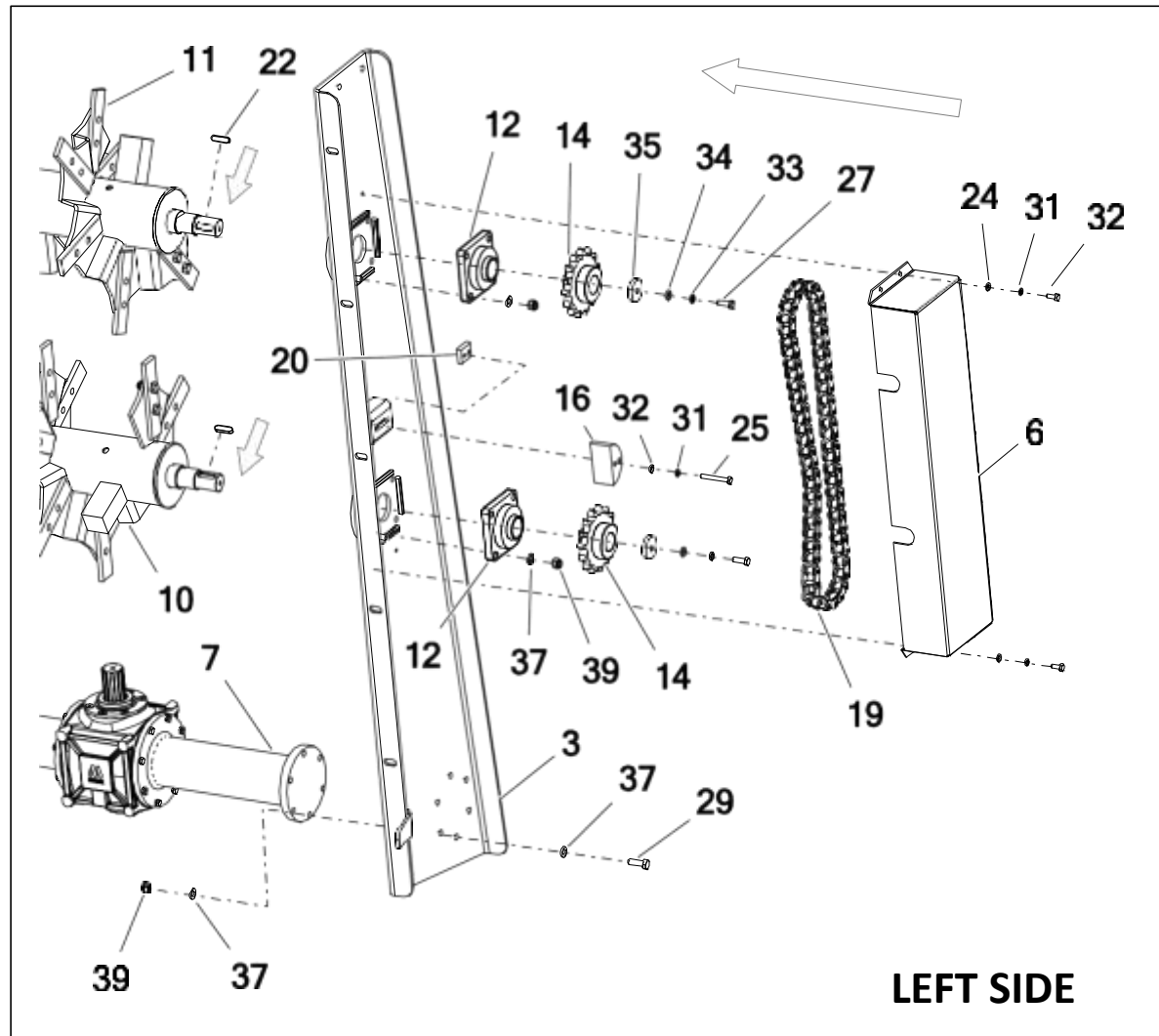
18. HORIZONTAL 2-ROTOR DISC ADAPTER



18. HORIZONTAL 2-ROTOR DISC ADAPTER

No.	Part or assembly name	Fig. or index No.			
		N272/1	Number	N272/2	Number
18	Chain 16B2, 91 links + connector (2.35 m)	POD-LAN-000113	1	POD-LAN-000113	1
19	Chain 20B1, 59 links + connector (1.91 m)	POD-LAN-000114	1	POD-LAN-000114	1
20	Tensioner flat bar	N272 11.09.05	2	N272 11.09.05	2
21	Key 14 x 9 x 63	POD-ELZ-000837	1	POD-ELZ-000837	1
22	Key 14 x 9 x 50	POD-ELZ-000691	2	POD-ELZ-000691	2
23	Screw-on disc blade	N272 11.09.08	6	N272 11.09.08	6
24	Bolt 10 x 25 galv. 8.8 82105 82105	23S10/25OC 8.8	8	23S10/25OC 8.8	8
25	Bolt 10 x 80 galv. 8.8 82101	POD-ELZ-000452	2	POD-ELZ-000452	2
26	Allen bolt 10 x 110 galv. 8.8 82302	POD-ELZ-000836	2	POD-ELZ-000836	2
27	Bolt 12 x 35 black 8.8 82105	POD-ELZ-000954	6	POD-ELZ-000954	6
28	Bolt 14 x 40 galv. 8.8 82105 82105	23S14/40 8.8	6	23S14/40 8.8	6
29	Bolt 14 x 50 galv. 8.8 82105 82105	23S14/50 8.8 82105 OC.	12	23S14/50 8.8 82105 OC.	12
30	Bolt 16 x 40 galv. 8.8 82105 82105	23S16/40 8.8OC	12	23S16/40 8.8OC	12
31	Spring washer 10.2 galv. 82008 82008	23P10SP	2	23P10SP	2
32	Round washer 10 galv. 82005 82005	23P10 82005	10	23P10 82005	10
33	Spring washer 12 galv., 82008 82008	23P12SP	3	23P12SP	3
34	Round washer 12 galv., 82005	23P12OC	9	23P12OC	9

18. HORIZONTAL 2-ROTOR DISC ADAPTER



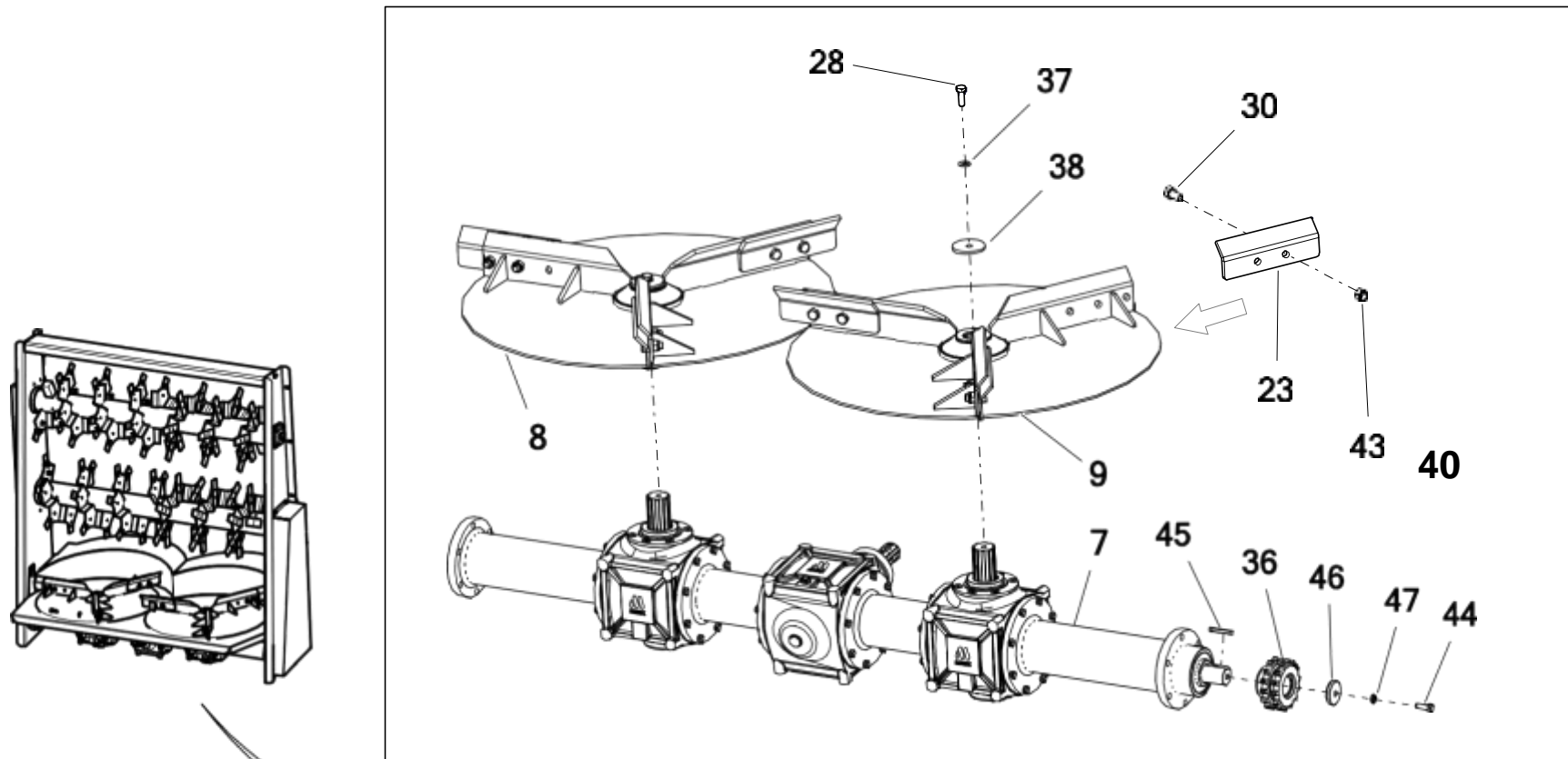
18. HORIZONTAL 2-ROTOR DISC ADAPTER

No.	Part or assembly name	Fig. or index No.			
		N272/1	Number	N272/2	Number
35	Locking washer	N272 11.09.02	3	N272 11.09.02	3
36*	Chain wheel, 14 teeth	MB 10.18-30.04	1	MB 10.18-30.04	1
37	Round washer 14 galv. 82005 82005	23P14OC	60	23P14OC	60
38	Thrust washer	N272 11.09.10	2	N272 11.09.10	2
39	Self locking nut M14 galv., 82175 8 82175 8	23NS14OC	35	23NS14OC	35
40	Self locking nut M16 galv., 82175 8 82175 8	23NS16OC	12	23NS16OC	12
41	Self locking nut m10oc 82175 82175 8	23NS10OC	4	23NS10OC	4
42	Bolt 10 x 30 galv. 8.8 82105 82105	23S10/30OC 8.8	4	23S10/30OC 8.8	4
43	Lower guard	N272 13.02.00	1	N272 13.02.00	1
44*	Bolt M12 x 45-8.8	PN-EN ISO 2009:1999	1	PN-EN ISO 2009:1999	1
45*	Parallel key B 14 x 9 x 60	PN-70/M-85005	1	PN-70/M-85005	1
46*	Pressure pad	MB 10.18-30.05	1	MB 10.18-30.05	1
47*	Spring washer ø12.2	PN-77/M-82008	1	PN-77/M-82008	1

Key:

13*, 14*, 29*, 36*, 44*, 45*, 46*, 47* – included as part of the following set: gearbox MB10.18, complete (4 chain wheels) - **POD-WPS-000190**

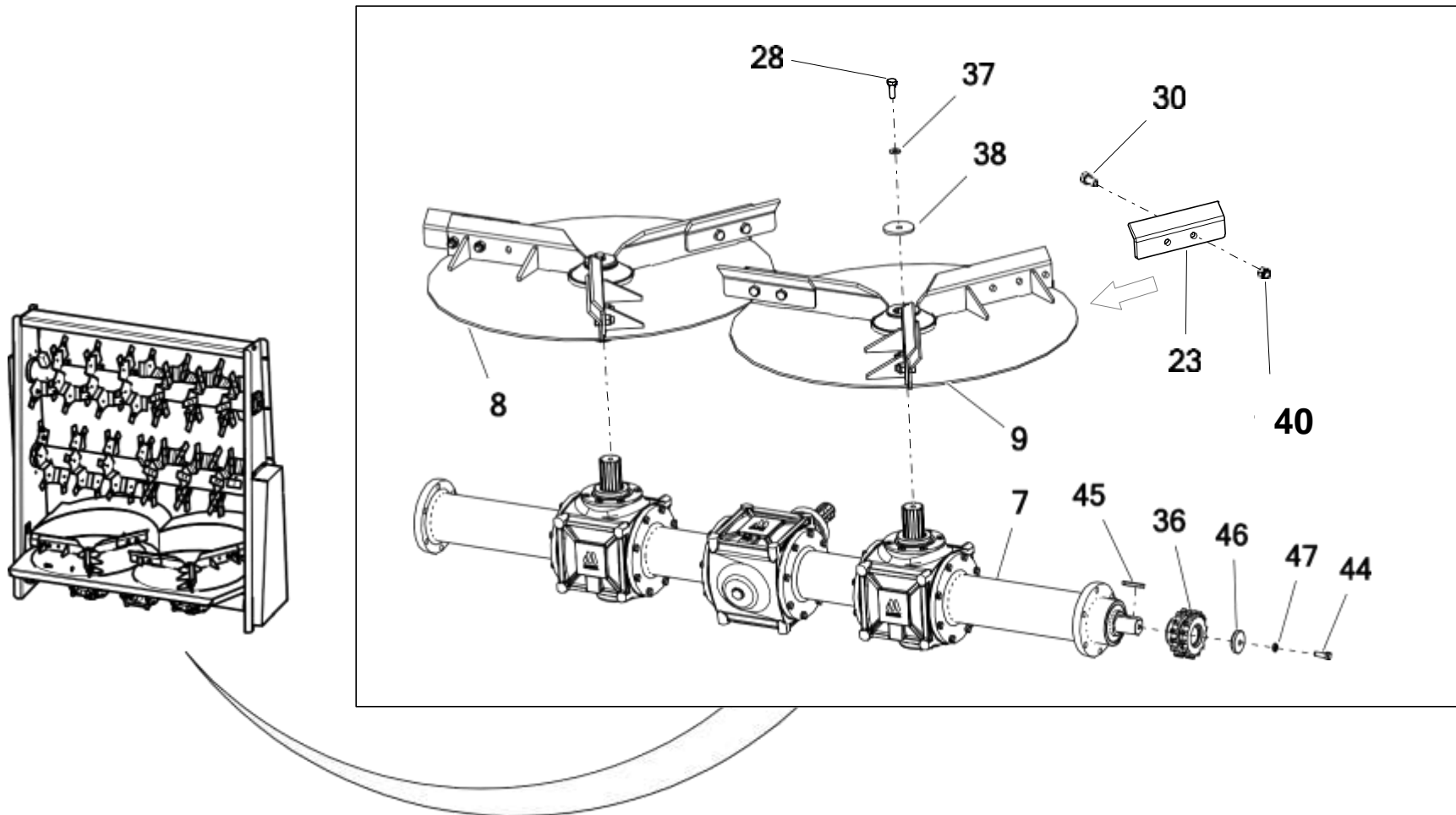
18. HORIZONTAL 2-ROTOR DISC ADAPTER



18. HORIZONTAL 2-ROTOR DISC ADAPTER

No.	Part or assembly name	Fig. or index No.			
		N272/1	Number	N272/2	Number
1	Adapter top guard	N272 03.00.08	1	N272 03.00.08	1
2	Top bar	N272 11.04.00	1	N272 11.04.00	1
3	Left frame	N272 11.02.00	1	N272 11.02.00	1
4	Right frame	N272 11.03.00	1	N272 11.03.00	1
5	Bottom guard, complete	N272 11.07.00	1	N272 11.07.00	1
6	Upper guard, complete	N272 11.08.00	1	N272 11.08.00	1
7	Gearbox MB10.18, complete	POD-WPS-000190	1	POD-WPS-000190	1
8	Left bottom disc	N272 11.01.00.1L	1	N272 11.01.00.1L	1
9	Right bottom disc	N272 11.01.00.1P	1	N272 11.01.00.1P	1
10	Bottom auger	N272 11.05.00	1	N272 11.05.00	1
11	Top auger	N272 11.06.00	1	N272 11.06.00	1
12	Bearing assembly LEFG 210 TDT	POD-LOZ-000357	4	POD-LOZ-000357	4
13*	Chain wheel, 24 teeth	MBS 10.18-02	1	MBS 10.18-02	1
14*	Drive wheel, 15 teeth	MBS 10.18-01	2	MBS 10.18-01	2
15	Gear chain tensioner	N272 11.09.09	1	N272 11.09.09	1
16	Gear chain tensioner	N272 11.09.06	1	N272 11.09.06	1
17	Plug	N272 11.09.07	1	N272 11.09.07	1

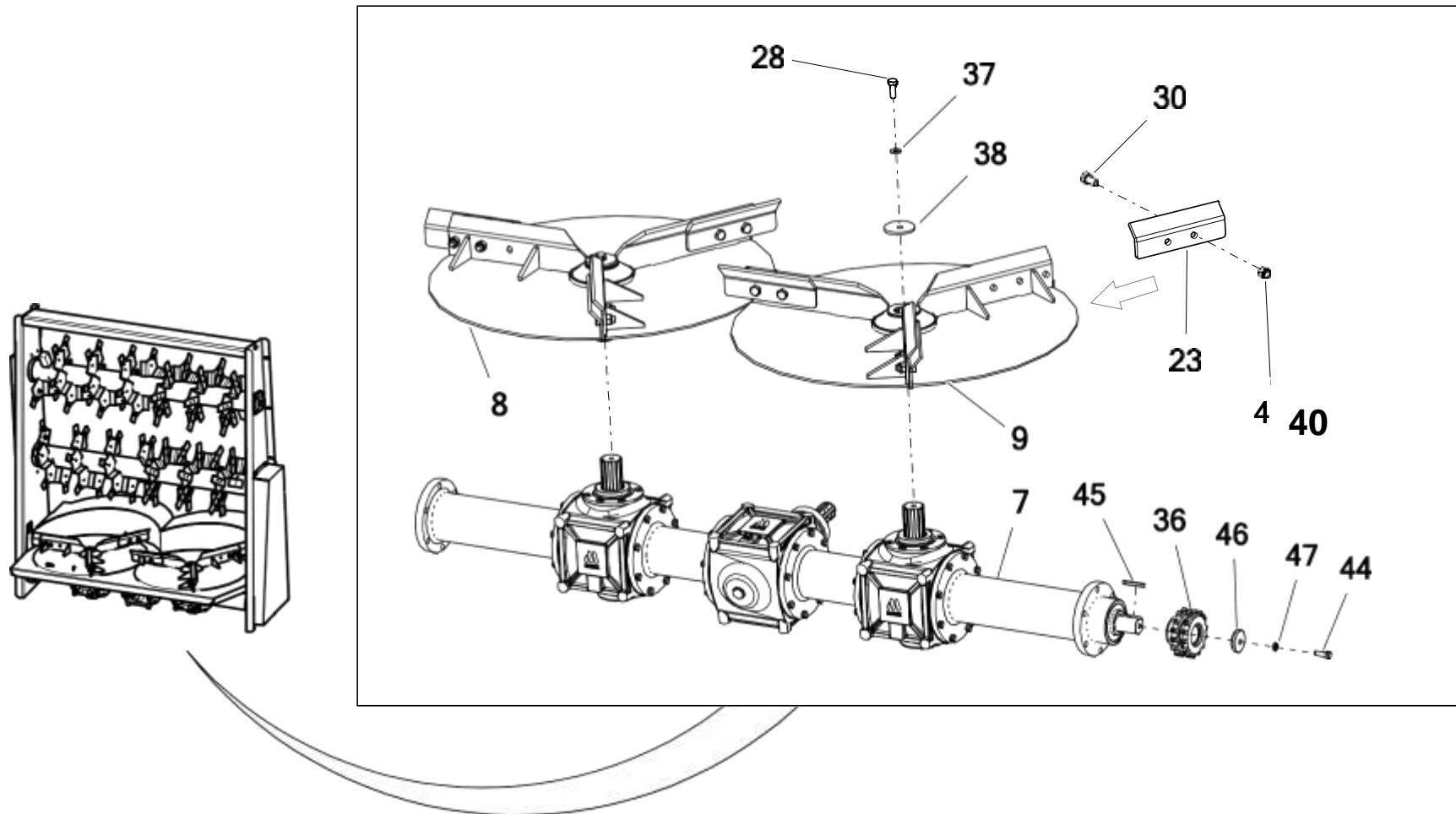
18. HORIZONTAL 2-ROTOR DISC ADAPTER



18. HORIZONTAL 2-ROTOR DISC ADAPTER

No.	Part or assembly name	Fig. or index No.			
		N272/1	Number	N272/2	Number
18	Chain 16B2, 91 links + connector (2.35 m)	POD-LAN-000113	1	POD-LAN-000113	1
19	Chain 20B1, 59 links + connector (1.91 m)	POD-LAN-000114	1	POD-LAN-000114	1
20	Tensioner flat bar	N272 11.09.05	2	N272 11.09.05	2
21	Key 14 x 9 x 63	POD-ELZ-000837	1	POD-ELZ-000837	1
22	Key 14 x 9 x 50	POD-ELZ-000691	2	POD-ELZ-000691	2
23	Screw-on disc blade	N272 11.09.08	6	N272 11.09.08	6
24	Bolt 10 x 25 galv. 8.8 82105 82105	23S10/25OC 8.8	8	23S10/25OC 8.8	8
25	Bolt 10 x 80 galv. 8.8 82101	POD-ELZ-000452	2	POD-ELZ-000452	2
26	Allen bolt 10 x 110 galv. 8.8 82302	POD-ELZ-000836	2	POD-ELZ-000836	2
27	Bolt 12 x 35 black 8.8 82105	POD-ELZ-000954	6	POD-ELZ-000954	6
28	Bolt 14 x 40 galv. 8.8 82105 82105	23S14/40 8.8	6	23S14/40 8.8	6
29	Bolt 14 x 50 galv. 8.8 82105 82105	23S14/50 8.8 82105 OC.	12	23S14/50 8.8 82105 OC.	12
30	Bolt 16 x 40 galv. 8.8 82105 82105	23S16/40 8.8OC	12	23S16/40 8.8OC	12
31	Spring washer 10.2 galv. 82008 82008	23P10SP	2	23P10SP	2
32	Round washer 10 galv. 82005 82005	23P10 82005	10	23P10 82005	10
33	Spring washer 12 galv., 82008 82008	23P12SP	3	23P12SP	3
34	Round washer 12 galv., 82005	23P12OC	9	23P12OC	9

18. HORIZONTAL 2-ROTOR DISC ADAPTER



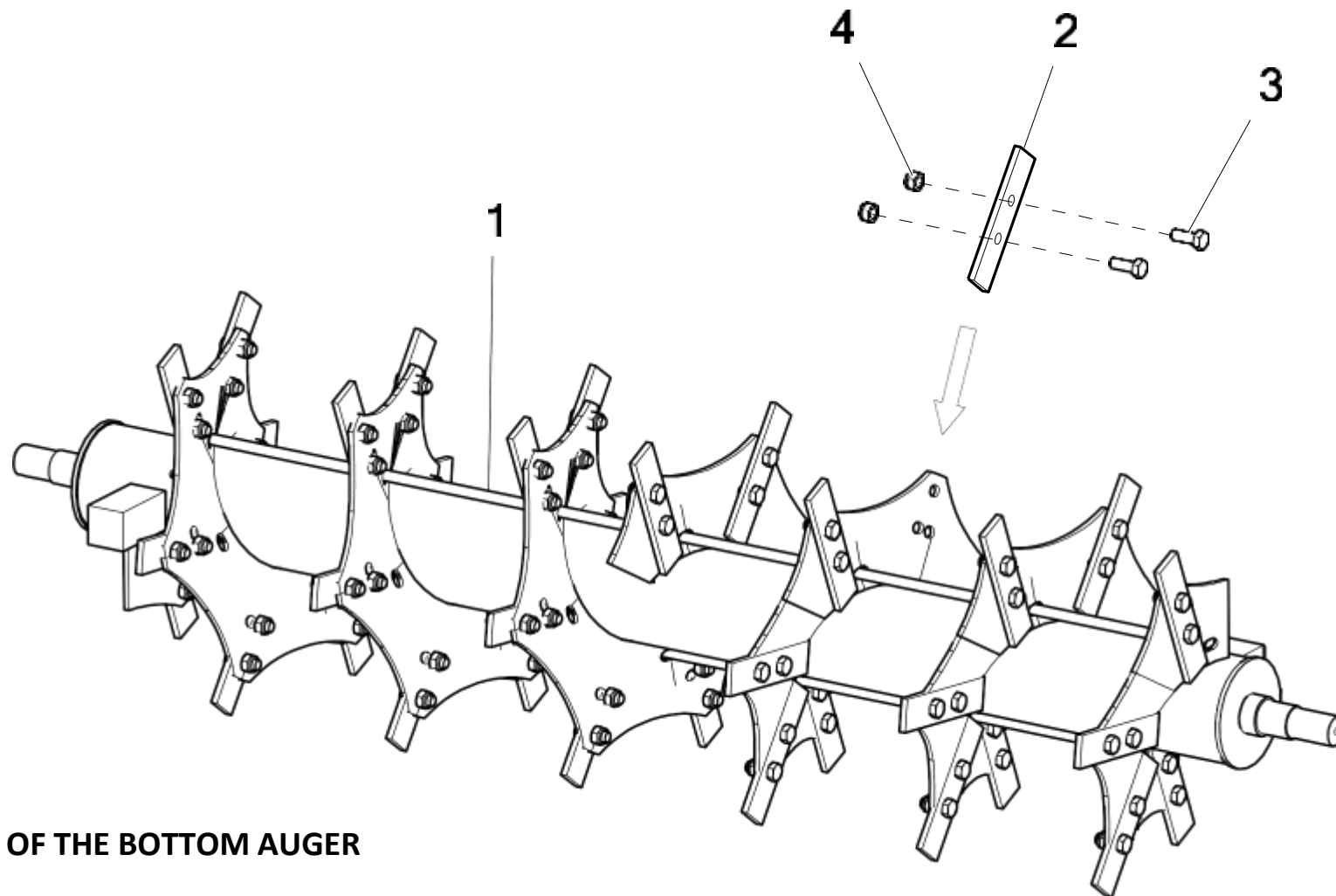
18. HORIZONTAL 2-ROTOR DISC ADAPTER

No.	Part or assembly name	Fig. or index No.			
		N272/1	Number	N272/2	Number
35	Locking washer	N272 11.09.02	3	N272 11.09.02	3
36*	Chain wheel, 14 teeth	MB 10.18-30.04	1	MB 10.18-30.04	1
37	NORD-LOCK NL14 washer (15,2 x 23 x 3,4)	POD-ELZ-001187	2	POD-ELZ-001187	2
38	Thrust washer	N272 11.09.10	2	N272 11.09.10	2
39	Self locking nut M14 galv., 82175 8 82175 8	23NS14OC	35	23NS14OC	35
40	Self locking nut M16 galv., 82175 8 82175 8	23NS16OC	12	23NS16OC	12
41	Self locking nut m10oc 82175 82175 8	23NS10OC	4	23NS10OC	4
42	Bolt 10 x 30 galv. 8.8 82105 82105	23S10/30OC 8.8	4	23S10/30OC 8.8	4
43	Lower guard	N272 13.02.00	1	N272 13.02.00	1
44*	Bolt M12 x 45-8.8	PN-EN ISO 2009:1999	1	PN-EN ISO 2009:1999	1
45*	Parallel key B 14 x 9 x 60	PN-70/M-85005	1	PN-70/M-85005	1
46*	Pressure pad	MB 10.18-30.05	1	MB 10.18-30.05	1

Key:

13*, 14*, 29*, 36*, 44*, 45*, 46* - included as part of the following set: gearbox MB10.18, complete (4 chain wheels) - **POD-WPS-000190**

19. AUGER OF THE 2-ROTOR HORIZONTAL DISC ADAPTER (from 2022)



VIEW OF THE BOTTOM AUGER

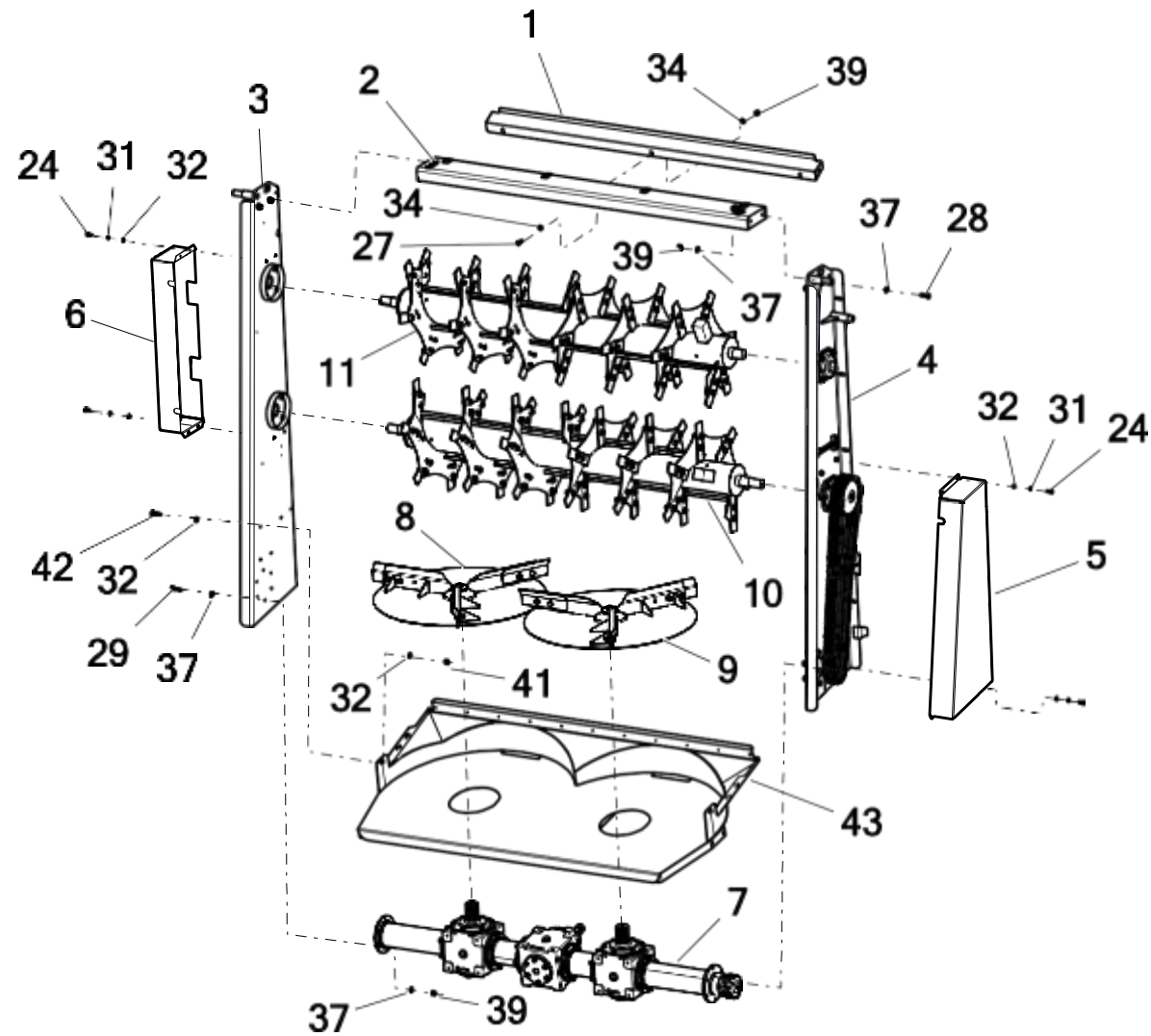
19. AUGER OF THE 2-ROTOR HORIZONTAL DISC ADAPTER (from 2022)

No.	Part or assembly name	Fig. or index No.			
		N272/1	Number	N272/2	Number
1	Bottom auger	N272 11.15.00	1	N272 11.15.00	1
1*	Top auger	N272 11.16.00	1	N272 11.16.00	1
2	Horizontal auger blade	N272 11.05.10	36	N272 11.05.10	36
3	Bolt 16 x 40 galv. 8.8 82105 82105	23S16/40 8.8OC	72	23S16/40 8.8OC	72
4	Self locking nut M16, galv., 82175 8 82175 8	23NS16OC	72	23NS16OC	72

Key:

1* – Top auger (differs from bottom auger in pivots). The auger is sold with blades as it is balanced.

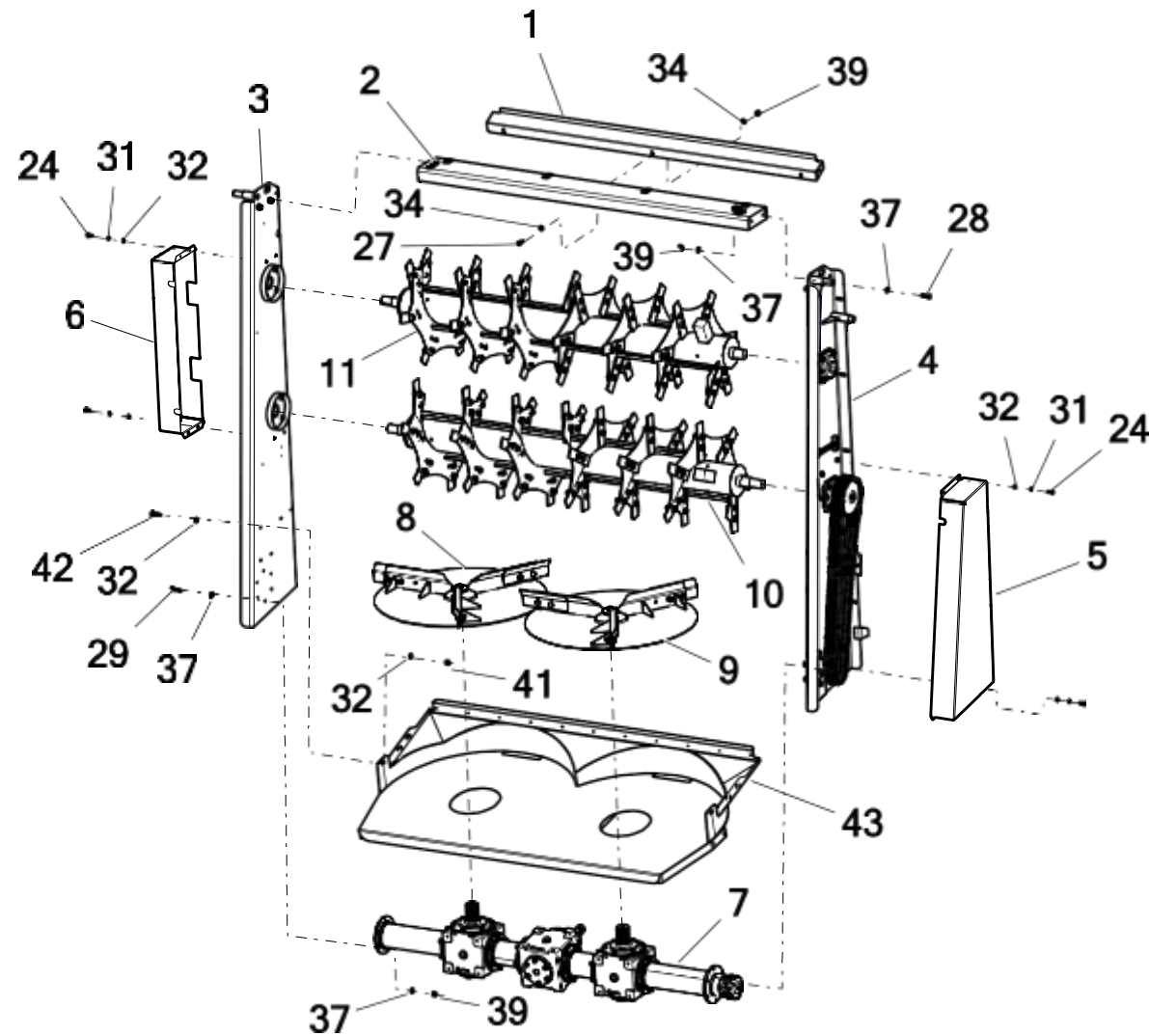
20. 2-ROTOR HORIZONTAL DISC ADAPTER N272 11.00.00.3 (from 2022)



20. 2-ROTOR HORIZONTAL DISC ADAPTER N272 11.00.00.3 (from 2022)

No.	Part or assembly name	Fig. or index No.			
		N272/1	Number	N272/2	Number
1	Adapter top guard	N272 03.00.11	1	N272 03.00.11	1
2	Top bar	N272 11.04.00	1	N272 11.04.00	1
3	Left frame	N272 11.02.00.1	1	N272 11.02.00.1	1
4	Right frame	N272 11.03.00.1	1	N272 11.03.00.1	1
5	Bottom guard, complete	N272 11.07.00	1	N272 11.07.00	1
6	Upper guard, complete	N272 11.08.00	1	N272 11.08.00	1
7	SO 2000 Grazioli gearbox – unpainted	POD-WPS-000318	1	POD-WPS-000318	1
	Horizontal adapter gearbox (L-2000; 1000 rpm) SO 2000 Grazioli – painted	PA09 00.00.00		PA09 00.00.00	
8	Bottom left-hand disc (Z30)	N272 11.01.00L-Z30	1	N272 11.01.00L-Z30	1
9	Bottom right-hand disc (Z30)	N272 11.01.00P-Z30	1	N272 11.01.00P-Z30	1
10	Bottom auger	N272 11.15.00	1	N272 11.15.00	1
11	Top auger	N272 11.16.00	1	N272 11.16.00	1
12	Bearing assembly LEFG 210 TDT	POD-LOZ-000357	4	POD-LOZ-000357	4

20. 2-ROTOR HORIZONTAL DISC ADAPTER N272 11.00.00.3 (from 2022)



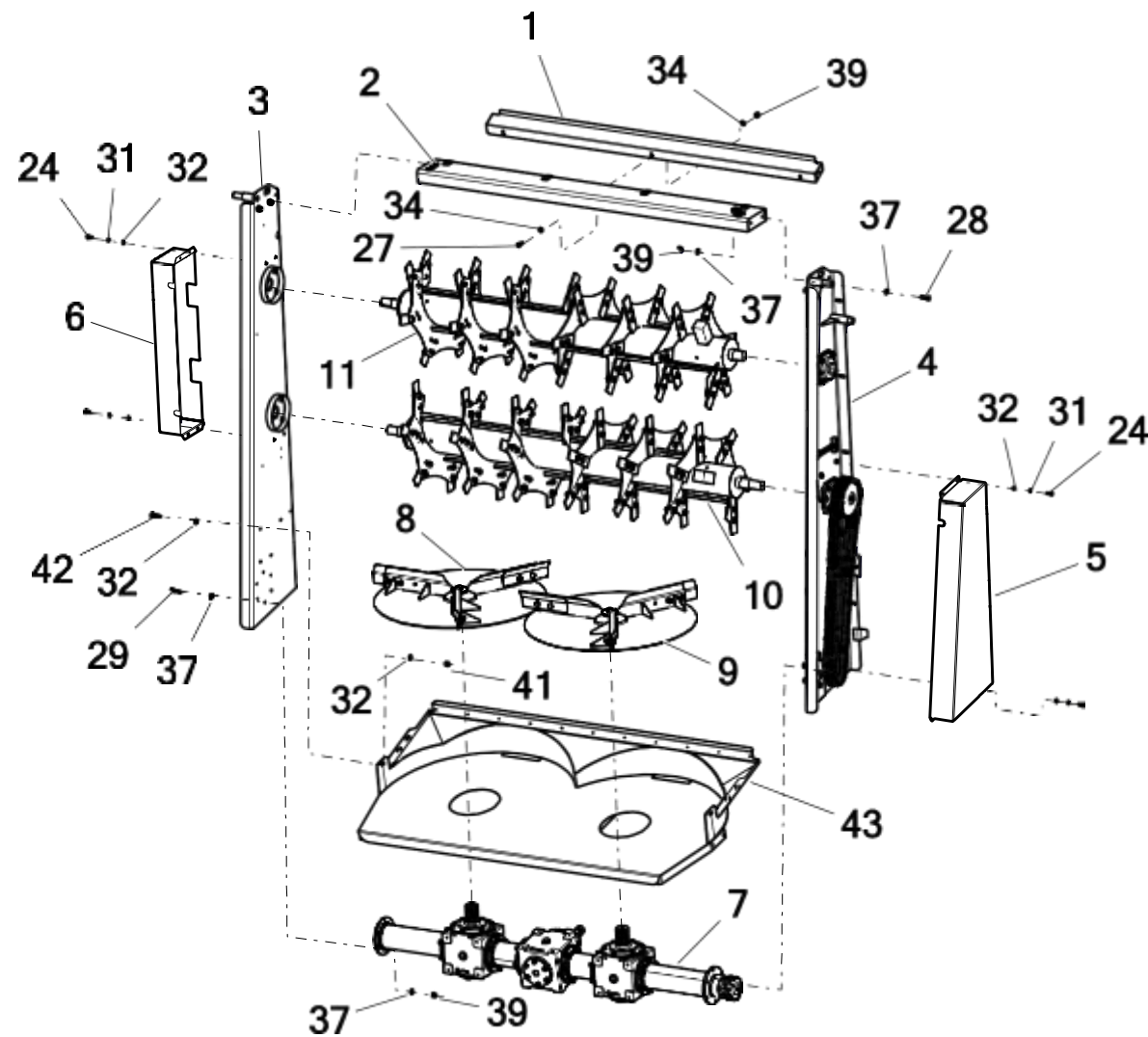
20. 2-ROTOR HORIZONTAL DISC ADAPTER N272 11.00.00.3 (from 2022)

No.	Part or assembly name	Fig. or index No.			
		N272/1	Number	N272/2	Number
13*	Double chain wheel Z24 16B2 MBU 10.18-01	N272 11.09.01 POD-WPS-000268	1	N272 11.09.01 POD-WPS-000268	1
14*	Upper shaft drive wheel Z15 20B1 MBU 10.18-02	N272 11.09.04 POD-WPS-000269	2	N272 11.09.04 POD-WPS-000269	2
15	Gear chain tensioner	N272 11.09.09	1	N272 11.09.09	1
16	Gear chain tensioner	N272 11.09.06	1	N272 11.09.06	1
17	Plug	N272 11.09.07	1	N272 11.09.07	1
18	Chain 16B2, 91 links + connector (2.35 m)	POD-LAN-000113	1	POD-LAN-000113	1
19	Chain 20B1, 59 links + connector (1.91 m)	POD-LAN-000114	1	POD-LAN-000114	1
20	Tensioner flat bar	N272 11.09.05	2	N272 11.09.05	2
21	Key 14 x 9 x 63	POD-ELZ-000837	1	POD-ELZ-000837	1
22	Key 14 x 9 x 50	POD-ELZ-000691	2	POD-ELZ-000691	2
23	Screw-on disc blade	N272 11.09.08	6	N272 11.09.08	6
24	Bolt 10 x 25 galv. 8.8 82105 82105	23S10/25OC 8.8	8	23S10/25OC 8.8	8
25	Bolt 10 x 80 galv. 8.8 82101	POD-ELZ-000452	2	POD-ELZ-000452	2
26	Allen bolt 10 x 110 galv. 8.8 82302	POD-ELZ-000836	2	POD-ELZ-000836	2

Key:

13*, 14* – included in: gearbox MB10.18, complete (4 chain wheels) - **POD-WPS-000190**

20. 2-ROTOR HORIZONTAL DISC ADAPTER N272 11.00.00.3 (from 2022)



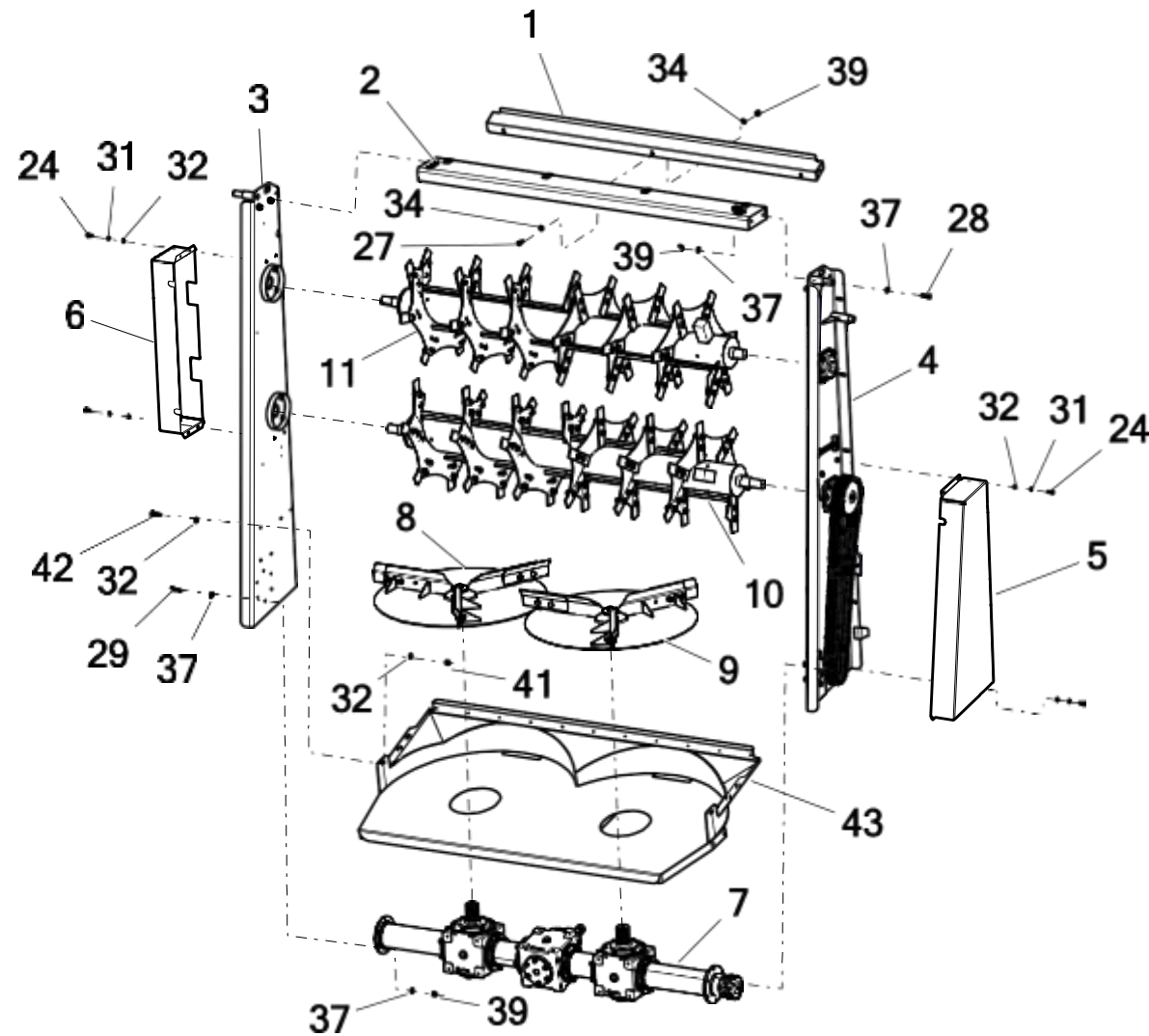
20. 2-ROTOR HORIZONTAL DISC ADAPTER N272 11.00.00.3 (from 2022)

No.	Part or assembly name	Fig. or index No.			
		N272/1	Number	N272/2	Number
27	Bolt 12 x 35 black 8.8 82105	POD-ELZ-000954	6	POD-ELZ-000954	6
28	Bolt 14 x 40 galv. 8.8 82105 82105	23S14/40 8.8	6	23S14/40 8.8	6
29	Bolt 14 x 50 galv. 8.8 82105 82105	23S14/50 8.8 82105 OC.	12	23S14/50 8.8 82105 OC.	12
30	Bolt 16 x 40 galv. 8.8 82105 82105	23S16/40 8.8OC	12	23S16/40 8.8OC	12
31	Spring washer 10.2 galv. 82008 82008	23P10SP	2	23P10SP	2
32	Round washer 10 galv. 82005 82005	23P10 82005	10	23P10 82005	10
33	Spring washer 12 galv., 82008 82008	23P12SP	3	23P12SP	3
34	Round washer 12 galv., 82005	23P12OC	9	23P12OC	9
35	Locking washer	N272 11.09.02	3	N272 11.09.02	3
36*	Spring washer \varnothing 12.2	PN-77/M-82008	1	PN-77/M-82008	1
37	Round washer 14 galv. 82005 82005	23P14OC	60	23P14OC	60
38	Thrust washer	N272 11.09.10	2	N272 11.09.10	2
39	Self locking nut M14 galv., 82175 8 82175 8	23NS14OC	35	23NS14OC	35
40	Self locking nut M16 galv., 82175 8 82175 8	23NS16OC	12	23NS16OC	12

Key:

36* – included in: gearbox MB10.18, complete (4 chain wheels) - **POD-WPS-000190**

20. 2-ROTOR HORIZONTAL DISC ADAPTER N272 11.00.00.3 (from 2022)



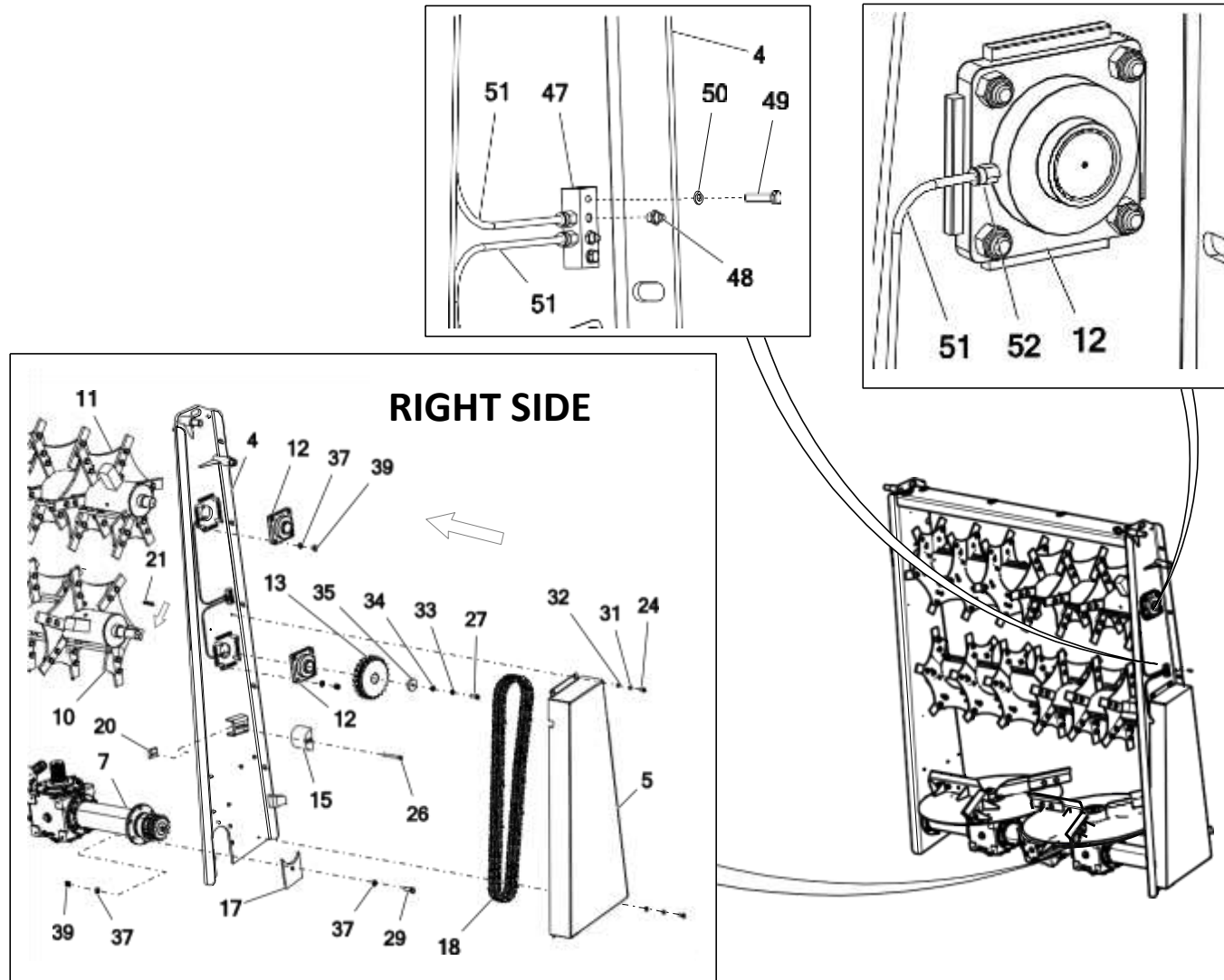
20. 2-ROTOR HORIZONTAL DISC ADAPTER N272 11.00.00.3 (from 2022)

No.	Part or assembly name	Fig. or index No.			
		N272/1	Number	N272/2	Number
41	Self locking nut m10oc 82175 82175 8	23NS10OC	4	23NS10OC	4
42	Bolt 10 x 30 galv. 8.8 82105 82105	23S10/30OC 8.8	4		4
43	Lower guard	N272 13.02.00.2	1	N272 13.02.00.2	1
44*	Bolt M12 x 45-8.8	PN-EN ISO 2009:1999	1	PN-EN ISO 2009:1999	1
45*	Parallel key B 14 x 9 x 60	PN-70/M-85005	1	PN-70/M-85005	1
46*	Pressure pad	MB 10.18-30.05	1	MB 10.18-30.05	1
47	Collector bar (x2)	N277-7 00.11.07	2	N277-7 00.11.07	2
48	Lubricating nipple M8 x 1.0 straight	23SM8	4	23SM8	4
49	Bolt 6 x 30 galv., 8.8 82101	POD-ELZ-000525	4	POD-ELZ-000525	4
50	Round washer 6 galv., 82005 82005	23P6OOC	4	23P6OOC	4
51	Central lubrication nipple Bearings – lubrication line, flex., D1 = 3, D2 = 6 /112-35127-2	POD-HYD-000005	3 m	POD-HYD-000005	3 m
52	Straight quick-coupling GEK-6-M8x1 symbol: 226-13752-7	POD-HYD-000004	4	POD-HYD-000004	4
53*	Chain wheel, 14 teeth	MB 10.18-30.04/01	1	MB 10.18-30.04/01	1

Key:

44*, 45*, 46*, 47*, 53* – included as part of the following set: gearbox MB10.18, complete (4 chain wheels) - **POD-WPS-000190**

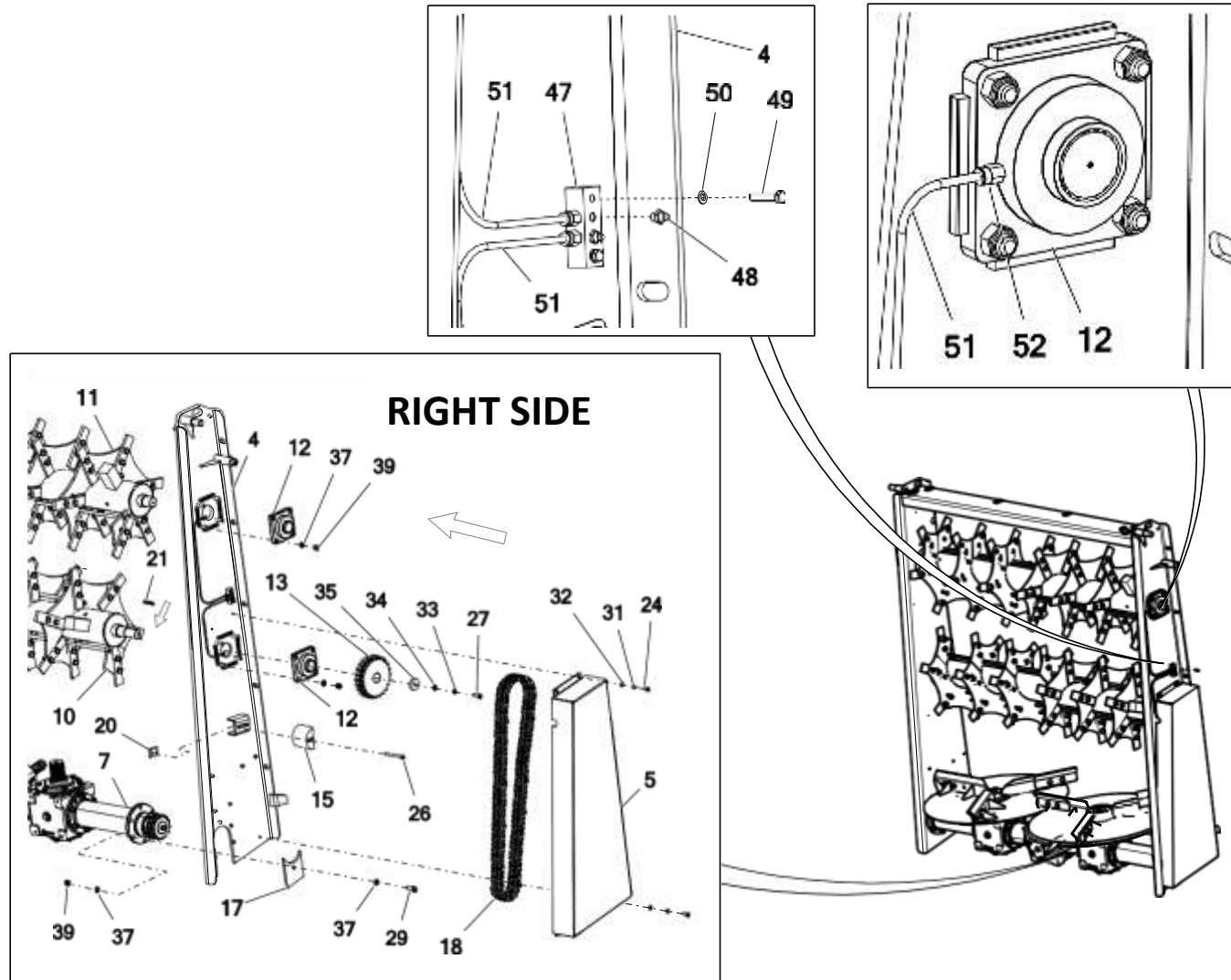
20. 2-ROTOR HORIZONTAL DISC ADAPTER N272 11.00.00.3 (from 2022)



20. 2-ROTOR HORIZONTAL DISC ADAPTER N272 11.00.00.3 (from 2022)

No.	Part or assembly name	Fig. or index No.			
		N272/1	Number	N272/2	Number
1	Adapter top guard	N272 03.00.11	1	N272 03.00.11	1
2	Top bar	N272 11.04.00	1	N272 11.04.00	1
3	Left frame	N272 11.02.00.1	1	N272 11.02.00.1	1
4	Right frame	N272 11.03.00.1	1	N272 11.03.00.1	1
5	Bottom guard, complete	N272 11.07.00	1	N272 11.07.00	1
6	Upper guard, complete	N272 11.08.00	1	N272 11.08.00	1
7	SO 2000 Grazioli gearbox – unpainted	POD-WPS-000318	1	POD-WPS-000318	1
	Horizontal adapter gearbox (L-2000; 1000 rpm) SO 2000 Grazioli – painted	PA09 00.00.00		PA09 00.00.00	
8	Bottom left-hand disc (Z30)	N272 11.01.00L-Z30	1	N272 11.01.00L-Z30	1
9	Bottom right-hand disc (Z30)	N272 11.01.00P-Z30	1	N272 11.01.00P-Z30	1
10	Bottom auger	N272 11.15.00	1	N272 11.15.00	1
11	Top auger	N272 11.16.00	1	N272 11.16.00	1
12	Bearing assembly LEFG 210 TDT	POD-LOZ-000357	4	POD-LOZ-000357	4

20. 2-ROTOR HORIZONTAL DISC ADAPTER N272 11.00.00.3 (from 2022)



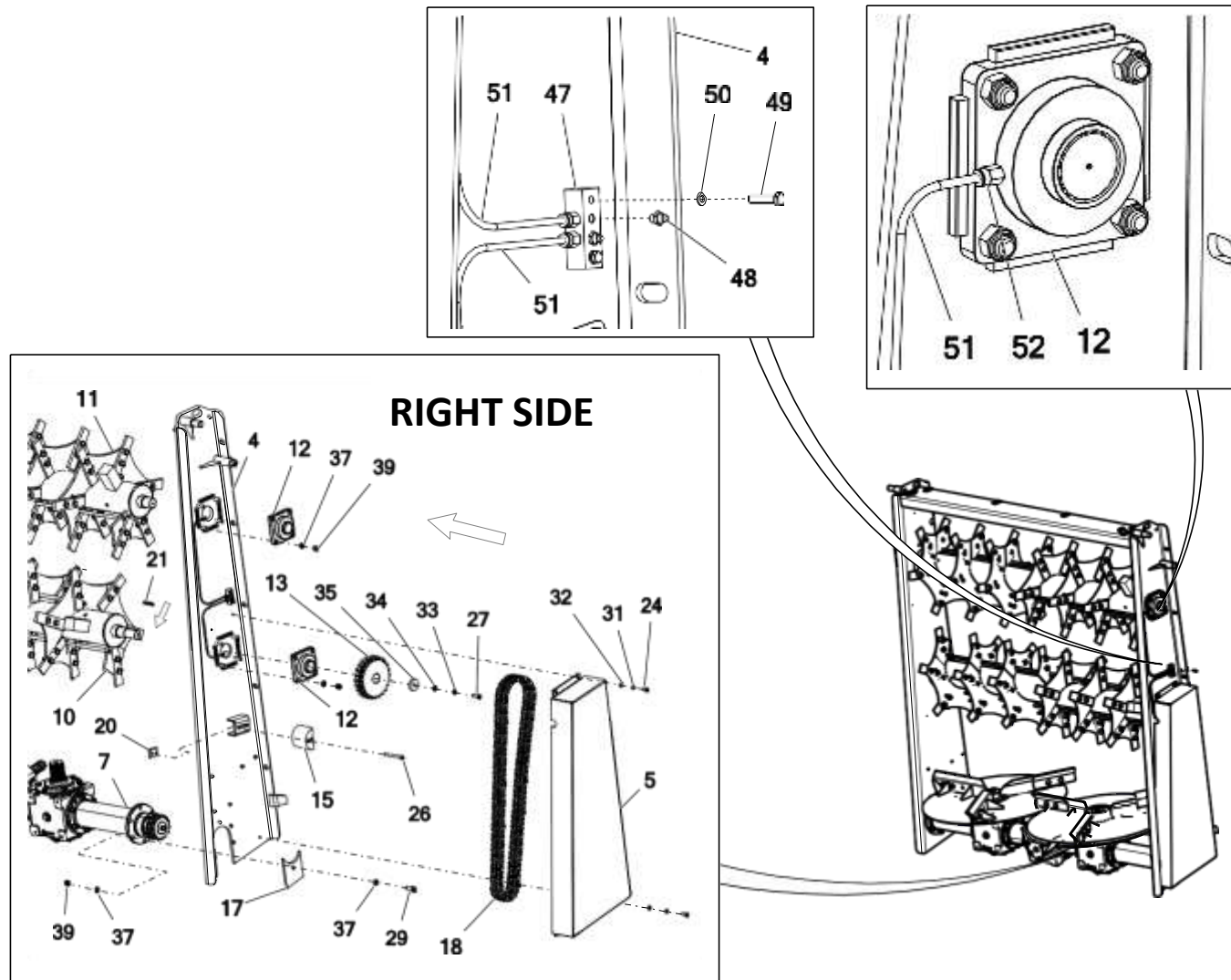
20. 2-ROTOR HORIZONTAL DISC ADAPTER N272 11.00.00.3 (from 2022)

No.	Part or assembly name	Fig. or index No.			
		N272/1	Number	N272/2	Number
13*	Double chain wheel Z24 16B2 MBU 10.18-01	N272 11.09.01 POD-WPS-000268	1	N272 11.09.01 POD-WPS-000268	1
14*	Upper shaft drive wheel Z15 20B1 MBU 10.18-02	N272 11.09.04 POD-WPS-000269	2	N272 11.09.04 POD-WPS-000269	2
15	Gear chain tensioner	N272 11.09.09	1	N272 11.09.09	1
16	Gear chain tensioner	N272 11.09.06	1	N272 11.09.06	1
17	Plug	N272 11.09.07	1	N272 11.09.07	1
18	Chain 16B2, 91 links + connector (2.35 m)	POD-LAN-000113	1	POD-LAN-000113	1
19	Chain 20B1, 59 links + connector (1.91 m)	POD-LAN-000114	1	POD-LAN-000114	1
20	Tensioner flat bar	N272 11.09.05	2	N272 11.09.05	2
21	Key 14 x 9 x 63	POD-ELZ-000837	1	POD-ELZ-000837	1
22	Key 14 x 9 x 50	POD-ELZ-000691	2	POD-ELZ-000691	2
23	Screw-on disc blade	N272 11.09.08	6	N272 11.09.08	6
24	Bolt 10 x 25 galv. 8.8 82105 82105	23S10/25OC 8.8	8	23S10/25OC 8.8	8
25	Bolt 10 x 80 galv. 8.8 82101	POD-ELZ-000452	2	POD-ELZ-000452	2
26	Allen bolt 10 x 110 galv. 8.8 82302	POD-ELZ-000836	2	POD-ELZ-000836	2

Key:

13*, 14* – included in: gearbox MB10.18, complete (4 chain wheels) - **POD-WPS-000190**

20. 2-ROTOR HORIZONTAL DISC ADAPTER N272 11.00.00.3 (from 2022)



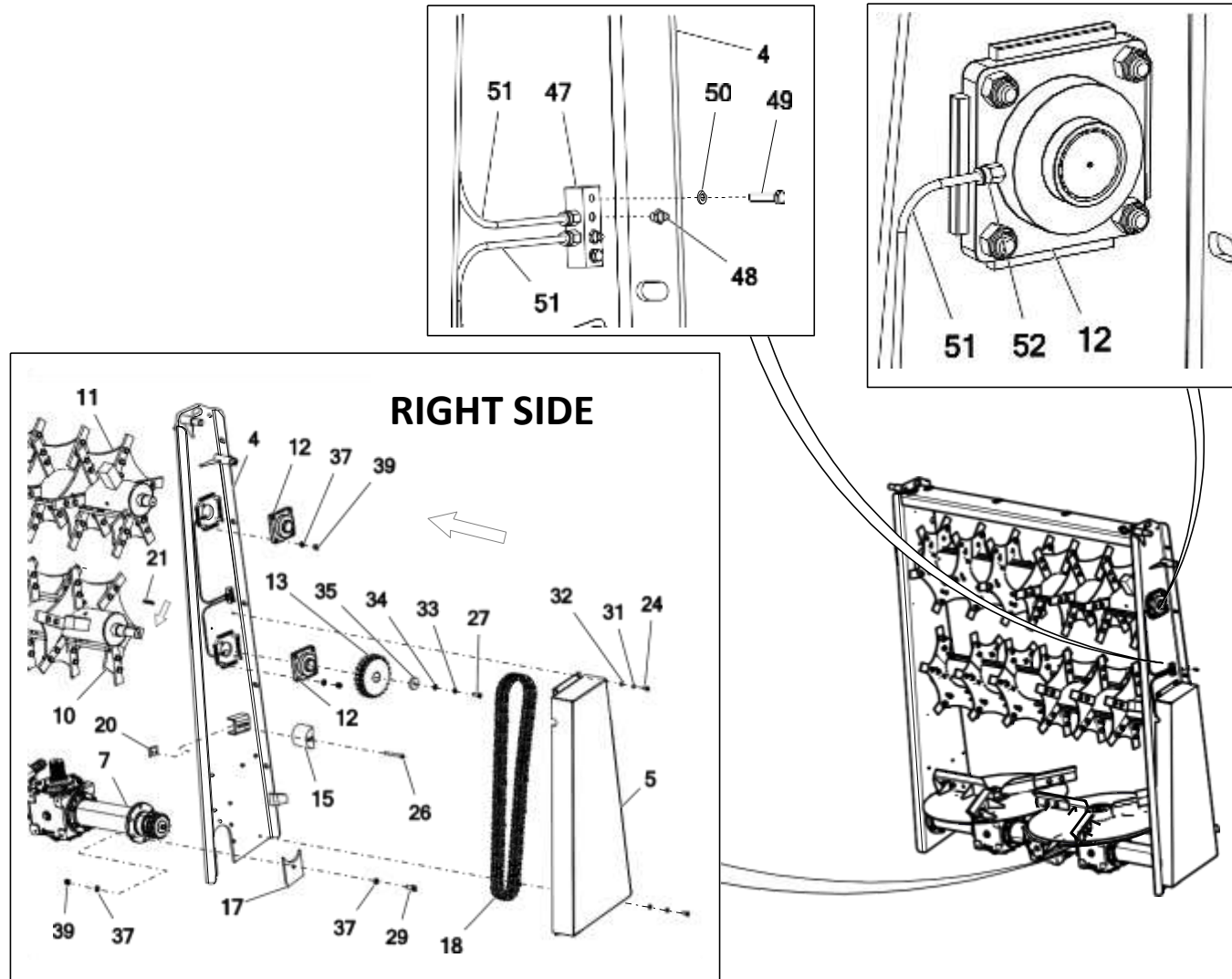
20. 2-ROTOR HORIZONTAL DISC ADAPTER N272 11.00.00.3 (from 2022)

No.	Part or assembly name	Fig. or index No.			
		N272/1	Number	N272/2	Number
27	Bolt 12 x 35 black 8.8 82105	POD-ELZ-000954	6	POD-ELZ-000954	6
28	Bolt 14 x 40 galv. 8.8 82105 82105	23S14/40 8.8	6	23S14/40 8.8	6
29	Bolt 14 x 50 galv. 8.8 82105 82105	23S14/50 8.8 82105 OC.	12	23S14/50 8.8 82105 OC.	12
30	Bolt 16 x 40 galv. 8.8 82105 82105	23S16/40 8.8OC	12	23S16/40 8.8OC	12
31	Spring washer 10.2 galv. 82008 82008	23P10SP	2	23P10SP	2
32	Round washer 10 galv. 82005 82005	23P10 82005	10	23P10 82005	10
33	Spring washer 12 galv., 82008 82008	23P12SP	3	23P12SP	3
34	Round washer 12 galv., 82005	23P12OC	9	23P12OC	9
35	Locking washer	N272 11.09.02	3	N272 11.09.02	3
36*	Spring washer \varnothing 12.2	PN-77/M-82008	1	PN-77/M-82008	1
37	Round washer 14 galv. 82005 82005	23P14OC	60	23P14OC	60
38	Thrust washer	N272 11.09.10	2	N272 11.09.10	2
39	Self locking nut M14 galv., 82175 8 82175 8	23NS14OC	35	23NS14OC	35
40	Self locking nut M16 galv., 82175 8 82175 8	23NS16OC	12	23NS16OC	12

Key:

36* – included in: gearbox MB10.18 cpl. (4 chain wheels) - **POD-WPS-000190**

20. 2-ROTOR HORIZONTAL DISC ADAPTER N272 11.00.00.3 (from 2022)



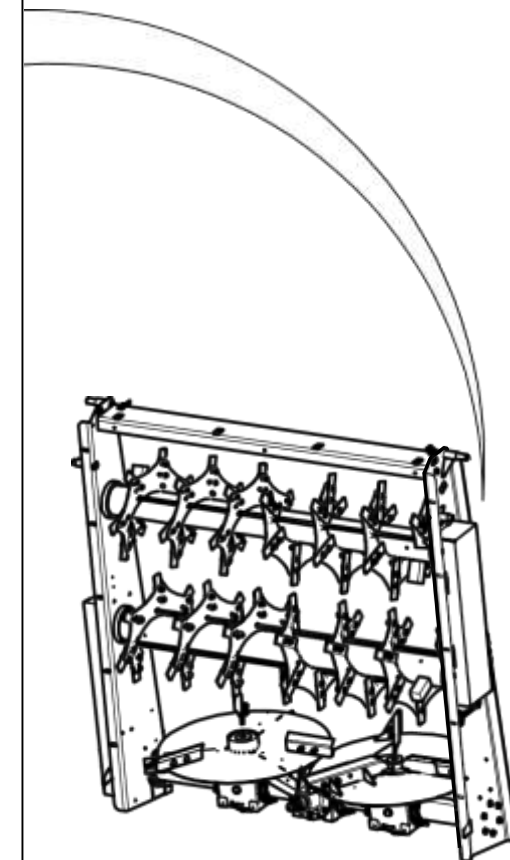
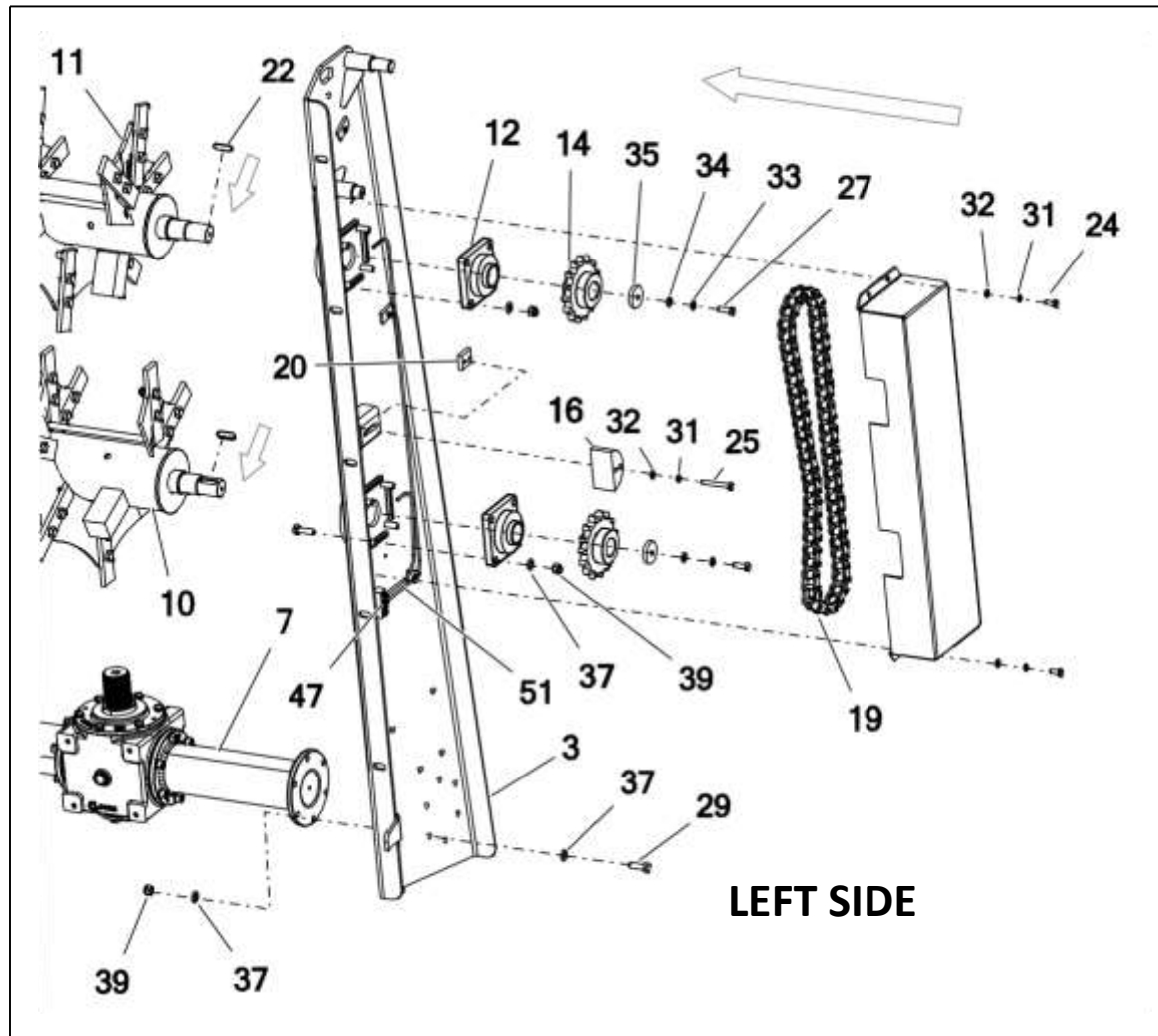
20. 2-ROTOR HORIZONTAL DISC ADAPTER N272 11.00.00.3 (from 2022)

No.	Part or assembly name	Fig. or index No.			
		N272/1	Number	N272/2	Number
41	Self locking nut m10oc 82175 82175 8	23NS10OC	4	23NS10OC	4
42	Bolt 10 x 30 galv. 8.8 82105 82105	23S10/30OC 8.8	4		4
43	Lower guard	N272 13.02.00.2	1	N272 13.02.00.2	1
44*	Bolt M12 x 45-8.8	PN-EN ISO 2009:1999	1	PN-EN ISO 2009:1999	1
45*	Parallel key B 14 x 9 x 60	PN-70/M-85005	1	PN-70/M-85005	1
46*	Pressure pad	MB 10.18-30.05	1	MB 10.18-30.05	1
47	Collector bar (x2)	N277-7 00.11.07	2	N277-7 00.11.07	2
48	Lubricating nipple M8 x 1.0 straight	23SM8	4	23SM8	4
49	Bolt 6 x 30 galv., 8.8 82101	POD-ELZ-000525	4	POD-ELZ-000525	4
50	Round washer 6 galv., 82005 82005	23P6OOC	4	23P6OOC	4
51	Central lubrication nipple Bearings – lubrication line, flex., D1 = 3, D2 = 6 /112-35127-2	POD-HYD-000005	3 m	POD-HYD-000005	3 m
52	Straight quick-coupling GEK-6-M8x1 symbol: 226-13752-7	POD-HYD-000004	4	POD-HYD-000004	4
53*	Chain wheel, 14 teeth	MB 10.18-30.04/01	1	MB 10.18-30.04/01	1

Key:

44*, 45*, 46*, 53* – included as part of the following set: gearbox MB10.18, complete (4 chain wheels) - **POD-WPS-000190**

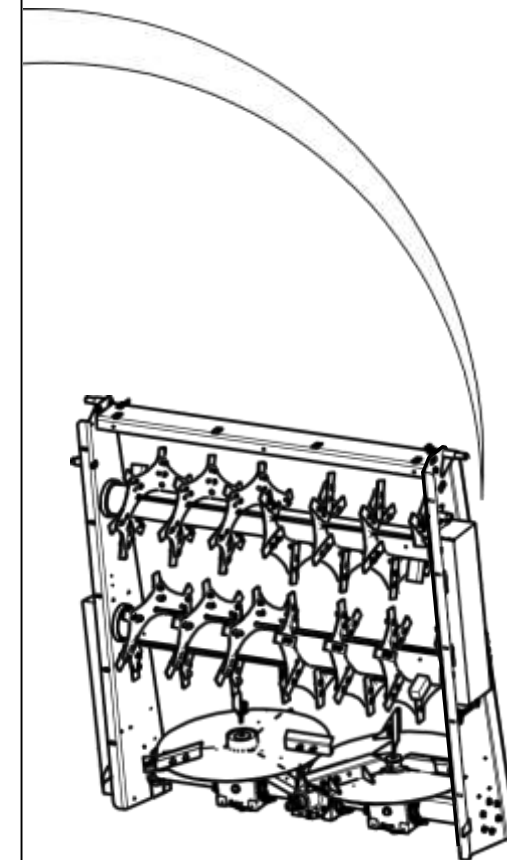
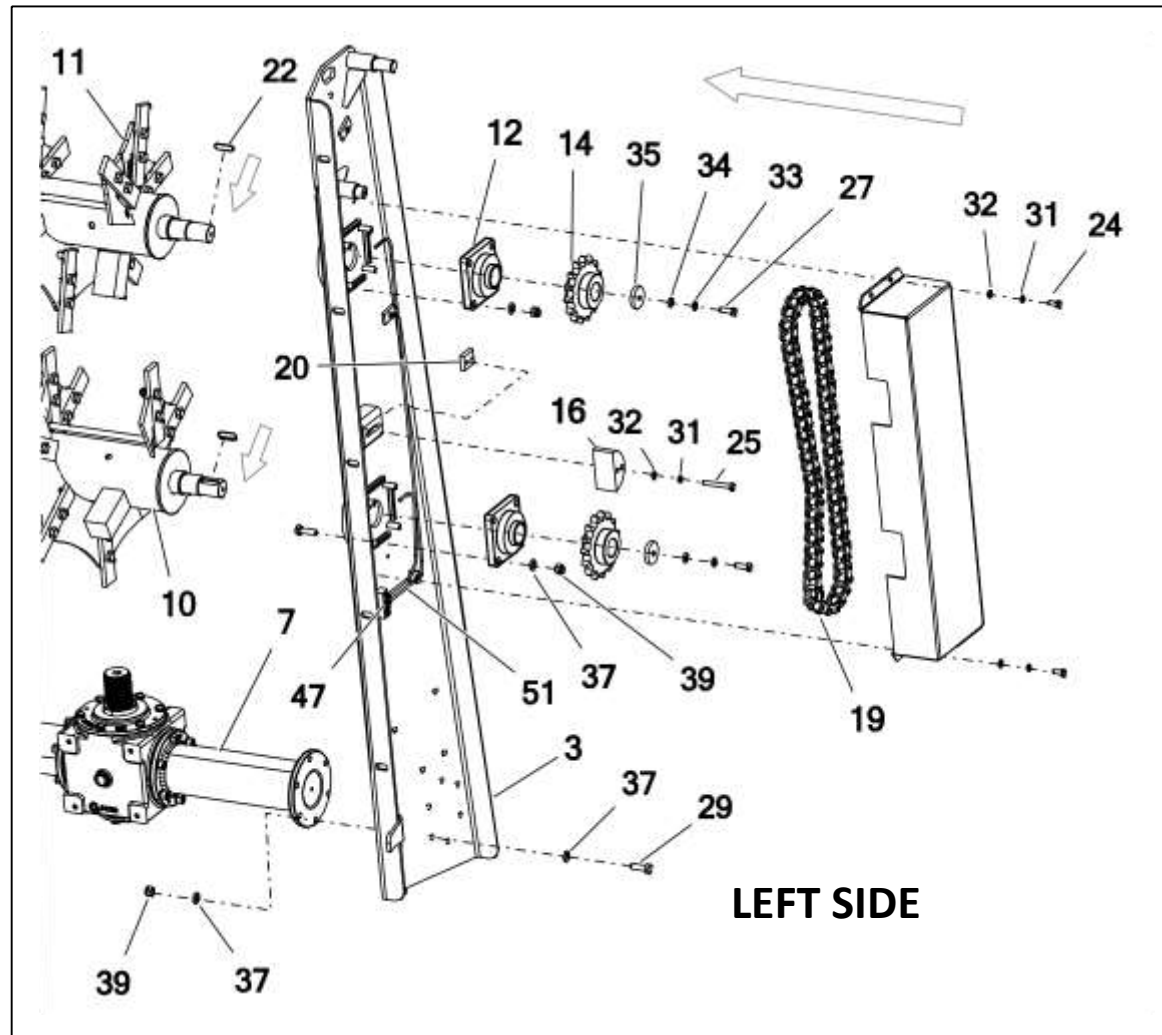
20. 2-ROTOR HORIZONTAL DISC ADAPTER N272 11.00.00.3 (from 2022)



20. 2-ROTOR HORIZONTAL DISC ADAPTER N272 11.00.00.3 (from 2022)

No.	Part or assembly name	Fig. or index No.			
		N272/1	Number	N272/2	Number
1	Adapter top guard	N272 03.00.11	1	N272 03.00.11	1
2	Top bar	N272 11.04.00	1	N272 11.04.00	1
3	Left frame	N272 11.02.00.1	1	N272 11.02.00.1	1
4	Right frame	N272 11.03.00.1	1	N272 11.03.00.1	1
5	Bottom guard, complete	N272 11.07.00	1	N272 11.07.00	1
6	Upper guard, complete	N272 11.08.00	1	N272 11.08.00	1
7	SO 2000 Grazioli gearbox – unpainted	POD-WPS-000318	1	POD-WPS-000318	1
	Horizontal adapter gearbox (L-2000; 1000 rpm) SO 2000 Grazioli – painted	PA09 00.00.00		PA09 00.00.00	
8	Bottom left-hand disc (Z30)	N272 11.01.00L-Z30	1	N272 11.01.00L-Z30	1
9	Bottom right-hand disc (Z30)	N272 11.01.00P-Z30	1	N272 11.01.00P-Z30	1
10	Bottom auger	N272 11.15.00	1	N272 11.15.00	1
11	Top auger	N272 11.16.00	1	N272 11.16.00	1
12	Bearing assembly LEFG 210 TDT	POD-LOZ-000357	4	POD-LOZ-000357	4

20. 2-ROTOR HORIZONTAL DISC ADAPTER N272 11.00.00.3 (from 2022)



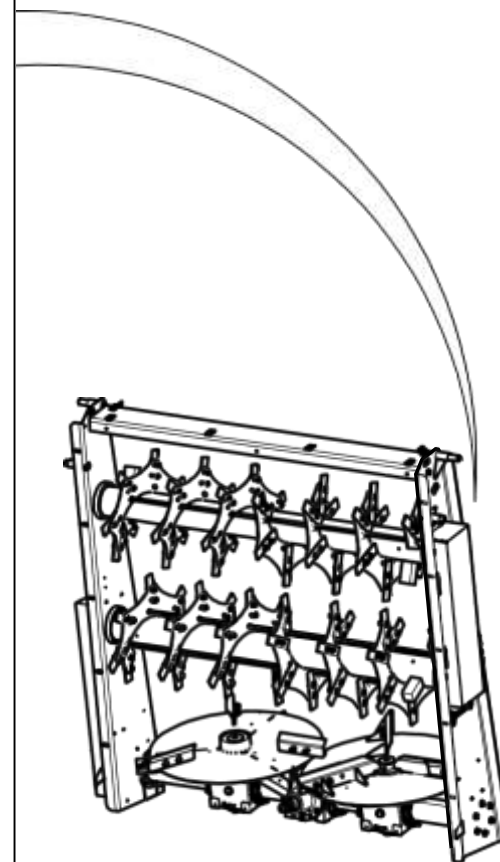
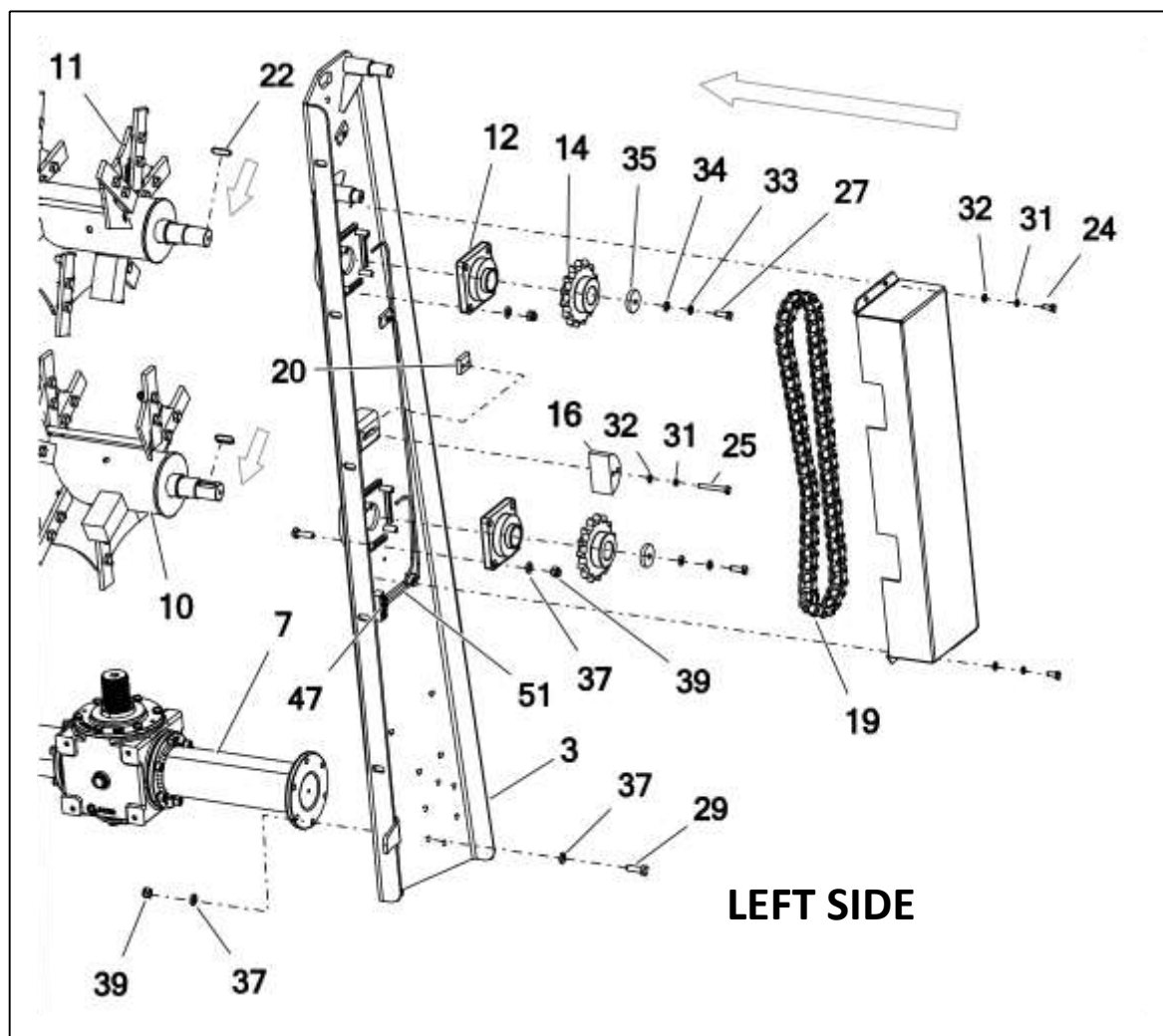
20. 2-ROTOR HORIZONTAL DISC ADAPTER N272 11.00.00.3 (from 2022)

No.	Part or assembly name	Fig. or index No.			
		N272/1	Number	N272/2	Number
13*	Double chain wheel Z24 16B2 MBU 10.18-01	N272 11.09.01 POD-WPS-000268	1	N272 11.09.01 POD-WPS-000268	1
14*	Upper shaft drive wheel Z15 20B1 MBU 10.18-02	N272 11.09.04 POD-WPS-000269	2	N272 11.09.04 POD-WPS-000269	2
15	Gear chain tensioner	N272 11.09.09	1	N272 11.09.09	1
16	Gear chain tensioner	N272 11.09.06	1	N272 11.09.06	1
17	Plug	N272 11.09.07	1	N272 11.09.07	1
18	Chain 16B2, 91 links + connector (2.35 m)	POD-LAN-000113	1	POD-LAN-000113	1
19	Chain 20B1, 59 links + connector (1.91 m)	POD-LAN-000114	1	POD-LAN-000114	1
20	Tensioner flat bar	N272 11.09.05	2	N272 11.09.05	2
21	Key 14 x 9 x 63	POD-ELZ-000837	1	POD-ELZ-000837	1
22	Key 14 x 9 x 50	POD-ELZ-000691	2	POD-ELZ-000691	2
23	Screw-on disc blade	N272 11.09.08	6	N272 11.09.08	6
24	Bolt 10 x 25 galv. 8.8 82105 82105	23S10/25OC 8.8	8	23S10/25OC 8.8	8
25	Bolt 10 x 80 galv. 8.8 82101	POD-ELZ-000452	2	POD-ELZ-000452	2
26	Allen bolt 10 x 110 galv. 8.8 82302	POD-ELZ-000836	2	POD-ELZ-000836	2

Key:

13*, 14* – included in: gearbox MB10.18, complete (4 chain wheels) - **POD-WPS-000190**

20. 2-ROTOR HORIZONTAL DISC ADAPTER N272 11.00.00.3 (from 2022)



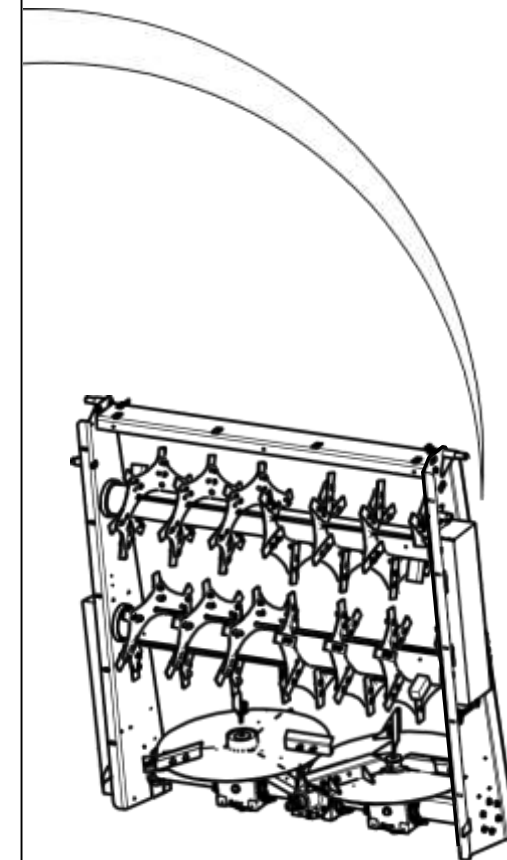
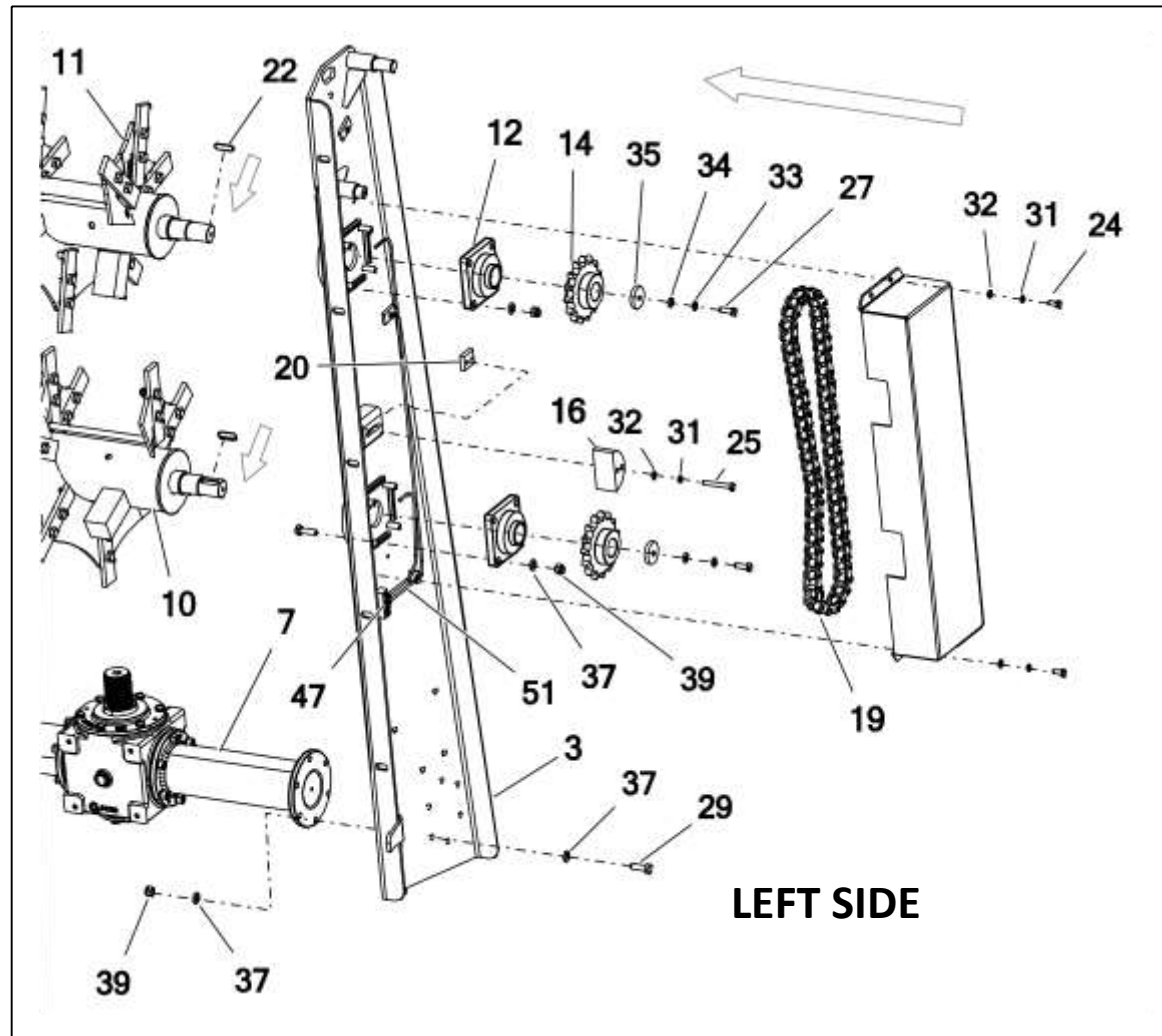
20. 2-ROTOR HORIZONTAL DISC ADAPTER N272 11.00.00.3 (from 2022)

No.	Part or assembly name	Fig. or index No.			
		N272/1	Number	N272/2	Number
27	Bolt 12 x 35 black 8.8 82105	POD-ELZ-000954	6	POD-ELZ-000954	6
28	Bolt 14 x 40 galv. 8.8 82105 82105	23S14/40 8.8	6	23S14/40 8.8	6
29	Bolt 14 x 50 galv. 8.8 82105 82105	23S14/50 8.8 82105 OC.	12	23S14/50 8.8 82105 OC.	12
30	Bolt 16 x 40 galv. 8.8 82105 82105	23S16/40 8.8OC	12	23S16/40 8.8OC	12
31	Spring washer 10.2 galv. 82008 82008	23P10SP	2	23P10SP	2
32	Round washer 10 galv. 82005 82005	23P10 82005	10	23P10 82005	10
33	Spring washer 12 galv., 82008 82008	23P12SP	3	23P12SP	3
34	Round washer 12 galv., 82005	23P12OC	9	23P12OC	9
35	Locking washer	N272 11.09.02	3	N272 11.09.02	3
36*	Spring washer \varnothing 12.2	PN-77/M-82008	1	PN-77/M-82008	1
37	Round washer 14 galv. 82005 82005	23P14OC	60	23P14OC	60
38	Thrust washer	N272 11.09.10	2	N272 11.09.10	2
39	Self locking nut M14 galv., 82175 8 82175 8	23NS14OC	35	23NS14OC	35
40	Self locking nut M16 galv., 82175 8 82175 8	23NS16OC	12	23NS16OC	12

Key:

36* – included in: gearbox MB10.18, complete (4 chain wheels) - **POD-WPS-000190**

20. 2-ROTOR HORIZONTAL DISC ADAPTER N272 11.00.00.3 (from 2022)



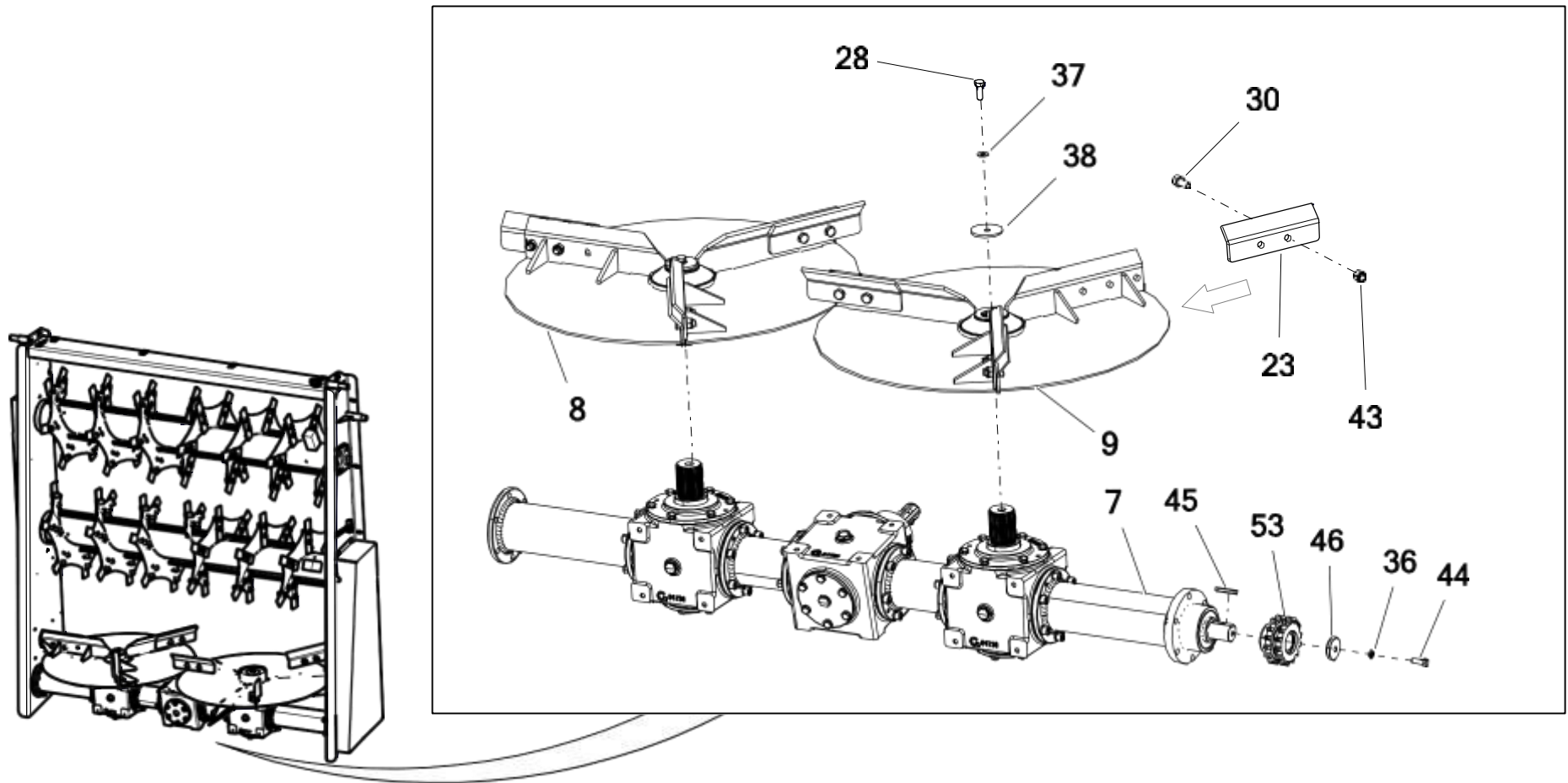
20. 2-ROTOR HORIZONTAL DISC ADAPTER N272 11.00.00.3 (from 2022)

No.	Part or assembly name	Fig. or index No.			
		N272/1	Number	N272/2	Number
41	Self locking nut m10oc 82175 82175 8	23NS10OC	4	23NS10OC	4
42	Bolt 10 x 30 galv. 8.8 82105 82105	23S10/30OC 8.8	4		4
43	Lower guard	N272 13.02.00.2	1	N272 13.02.00.2	1
44*	Bolt M12 x 45-8.8	PN-EN ISO 2009:1999	1	PN-EN ISO 2009:1999	1
45*	Parallel key B 14 x 9 x 60	PN-70/M-85005	1	PN-70/M-85005	1
46*	Pressure pad	MB 10.18-30.05	1	MB 10.18-30.05	1
47	Collector bar (x2)	N277-7 00.11.07	2	N277-7 00.11.07	2
48	Lubricating nipple M8 x 1.0 straight	23SM8	4	23SM8	4
49	Bolt 6 x 30 galv., 8.8 82101	POD-ELZ-000525	4	POD-ELZ-000525	4
50	Round washer 6 galv., 82005 82005	23P6OOC	4	23P6OOC	4
51	Central lubrication nipple Bearing – lubrication line, flex., D1 = 3, D2 = 6 /112- 35127-2	POD-HYD-000005	3 m	POD-HYD-000005	3 m
52	Straight quick-coupling GEK-6-M8x1 symbol: 226-13752-7	POD-HYD-000004	4	POD-HYD-000004	4
53*	Chain wheel, 14 teeth	MB 10.18-30.04/01	1	MB 10.18-30.04/01	1

Key:

44*, 45*, 46*, 53* – included as part of the following set: gearbox MB10.18, complete (4 chain wheels) - **POD-WPS-000190**

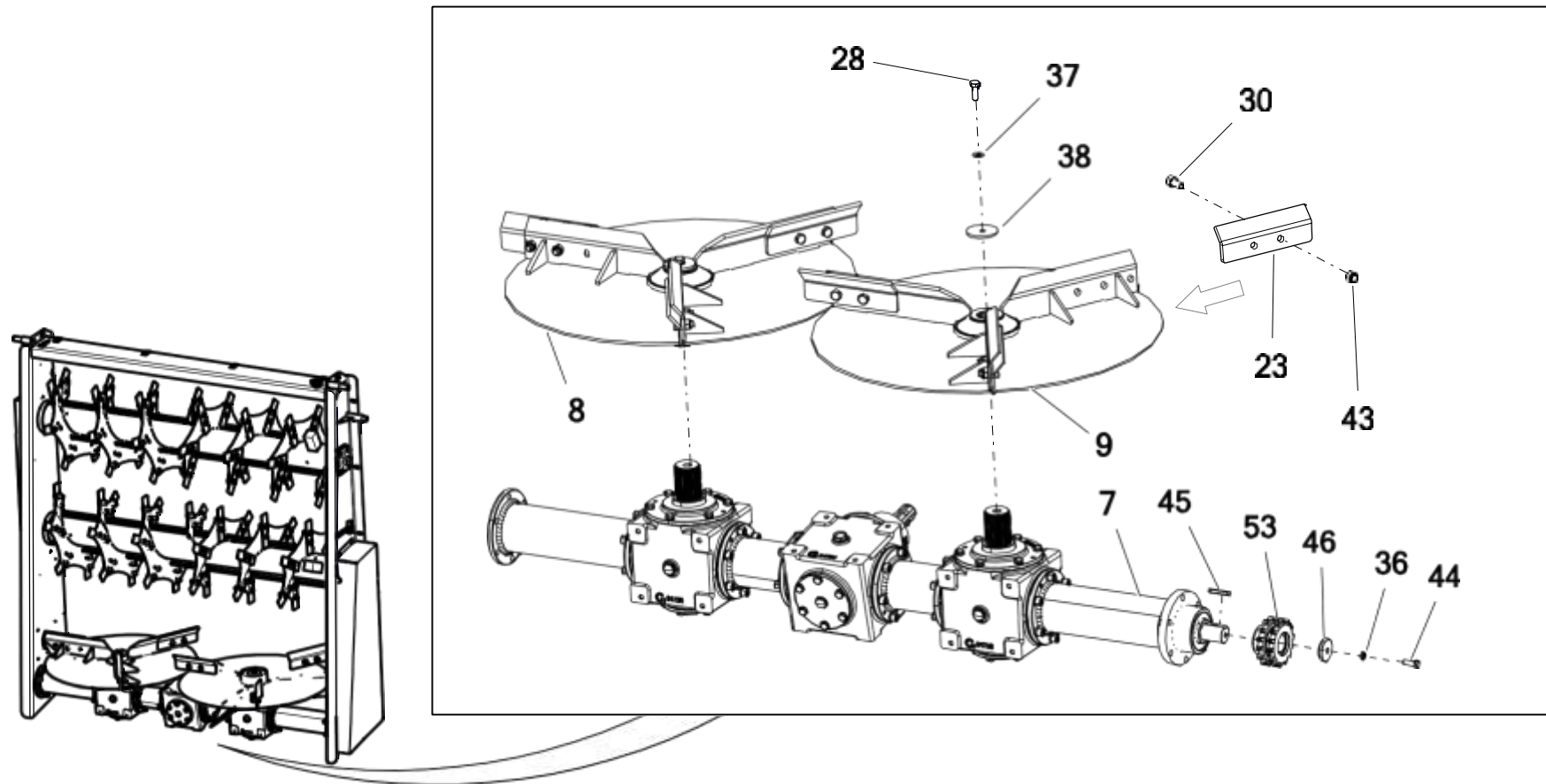
20. 2-ROTOR HORIZONTAL DISC ADAPTER N272 11.00.00.3 (from 2022)



20. 2-ROTOR HORIZONTAL DISC ADAPTER N272 11.00.00.3 (from 2022)

No.	Part or assembly name	Fig. or index No.			
		N272/1	Number	N272/2	Number
1	Adapter top guard	N272 03.00.11	1	N272 03.00.11	1
2	Top bar	N272 11.04.00	1	N272 11.04.00	1
3	Left frame	N272 11.02.00.1	1	N272 11.02.00.1	1
4	Right frame	N272 11.03.00.1	1	N272 11.03.00.1	1
5	Bottom guard, complete	N272 11.07.00	1	N272 11.07.00	1
6	Upper guard, complete	N272 11.08.00	1	N272 11.08.00	1
7	SO 2000 Grazioli gearbox – unpainted	POD-WPS-000318	1	POD-WPS-000318	1
	Horizontal adapter gearbox (L-2000; 1000 rpm) SO 2000 Grazioli – painted	PA09 00.00.00		PA09 00.00.00	
8	Bottom left-hand disc (Z30)	N272 11.01.00L-Z30	1	N272 11.01.00L-Z30	1
9	Bottom right-hand disc (Z30)	N272 11.01.00P-Z30	1	N272 11.01.00P-Z30	1
10	Bottom auger	N272 11.15.00	1	N272 11.15.00	1
11	Top auger	N272 11.16.00	1	N272 11.16.00	1
12	Bearing assembly LEFG 210 TDT	POD-LOZ-000357	4	POD-LOZ-000357	4

20. 2-ROTOR HORIZONTAL DISC ADAPTER N272 11.00.00.3 (from 2022)



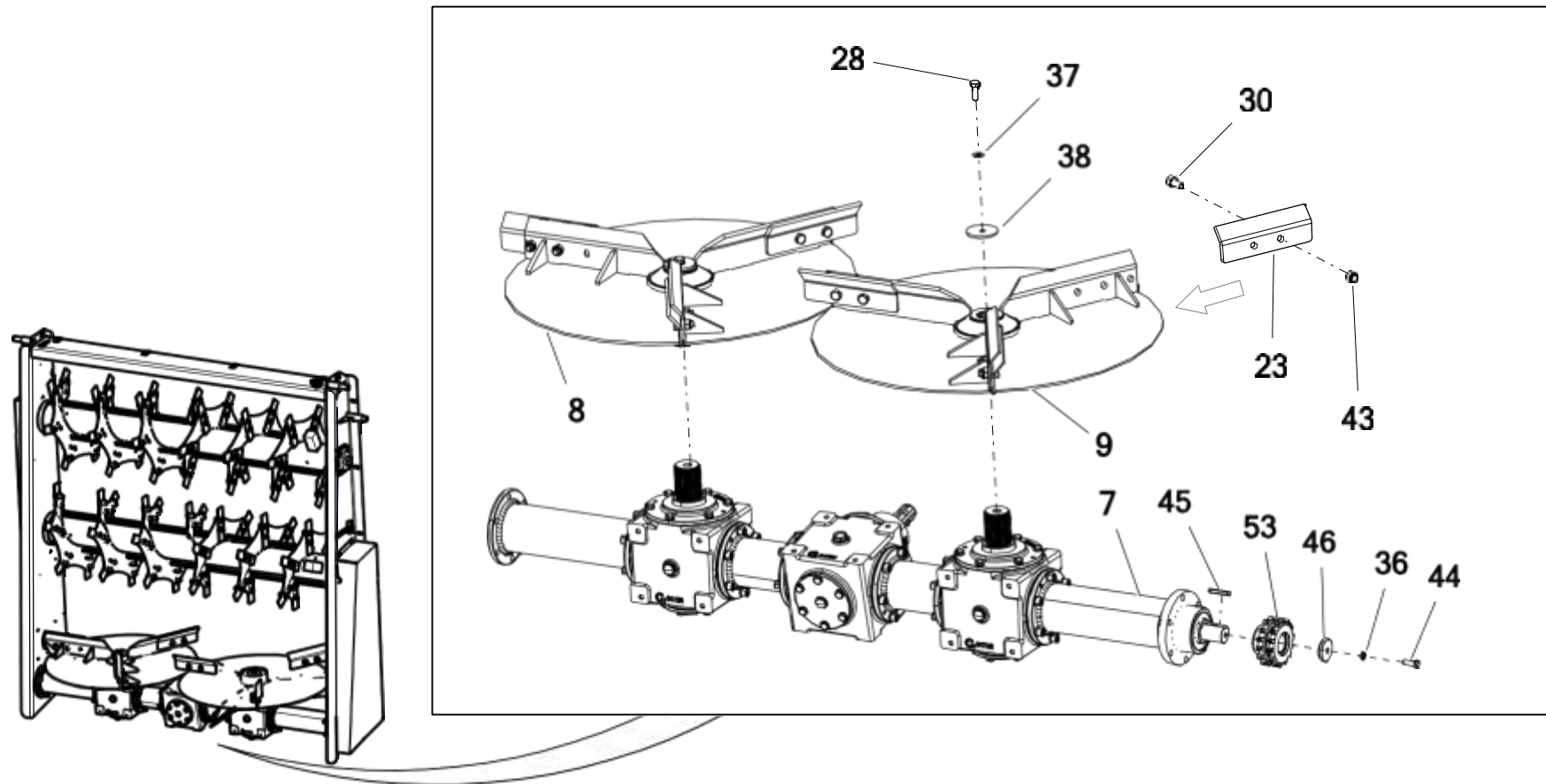
20. 2-ROTOR HORIZONTAL DISC ADAPTER N272 11.00.00.3 (from 2022)

No.	Part or assembly name	Fig. or index No.			
		N272/1	Number	N272/2	Number
13*	Double chain wheel Z24 16B2 MBU 10.18-01	N272 11.09.01 POD-WPS-000268	1	N272 11.09.01 POD-WPS-000268	1
14*	Upper shaft drive wheel Z15 20B1 MBU 10.18-02	N272 11.09.04 POD-WPS-000269	2	N272 11.09.04 POD-WPS-000269	2
15	Gear chain tensioner	N272 11.09.09	1	N272 11.09.09	1
16	Gear chain tensioner	N272 11.09.06	1	N272 11.09.06	1
17	Plug	N272 11.09.07	1	N272 11.09.07	1
18	Chain 16B2, 91 links + connector (2.35 m)	POD-LAN-000113	1	POD-LAN-000113	1
19	Chain 20B1, 59 links + connector (1.91 m)	POD-LAN-000114	1	POD-LAN-000114	1
20	Tensioner flat bar	N272 11.09.05	2	N272 11.09.05	2
21	Key 14 x 9 x 63	POD-ELZ-000837	1	POD-ELZ-000837	1
22	Key 14 x 9 x 50	POD-ELZ-000691	2	POD-ELZ-000691	2
23	Screw-on disc blade	N272 11.09.08	6	N272 11.09.08	6
24	Bolt 10 x 25 galv. 8.8 82105 82105	23S10/25OC 8.8	8	23S10/25OC 8.8	8
25	Bolt 10 x 80 galv. 8.8 82101	POD-ELZ-000452	2	POD-ELZ-000452	2
26	Allen bolt 10 x 110 galv. 8.8 82302	POD-ELZ-000836	2	POD-ELZ-000836	2

Key:

13*, 14* – included in: gearbox MB10.18, complete (4 chain wheels) - **POD-WPS-000190**

20. 2-ROTOR HORIZONTAL DISC ADAPTER N272 11.00.00.3 (from 2022)



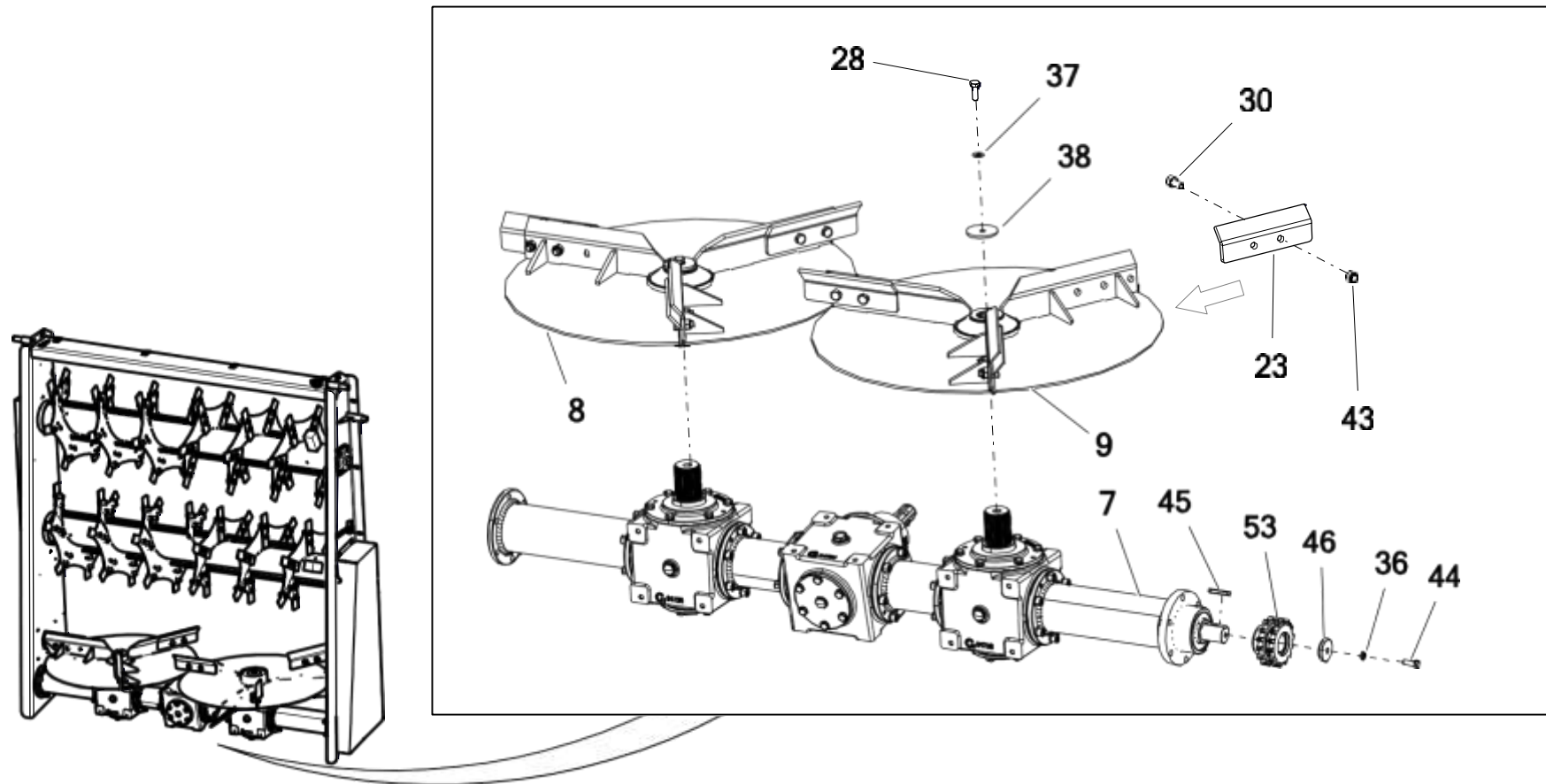
20. 2-ROTOR HORIZONTAL DISC ADAPTER N272 11.00.00.3 (from 2022)

No.	Part or assembly name	Fig. or index No.			
		N272/1	Number	N272/2	Number
27	Bolt 12 x 35 black 8.8 82105	POD-ELZ-000954	6	POD-ELZ-000954	6
28	Bolt 14 x 40 galv. 8.8 82105 82105	23S14/40 8.8	6	23S14/40 8.8	6
29	Bolt 14 x 50 galv. 8.8 82105 82105	23S14/50 8.8 82105 OC.	12	23S14/50 8.8 82105 OC.	12
30	Bolt 16 x 40 galv. 8.8 82105 82105	23S16/40 8.8OC	12	23S16/40 8.8OC	12
31	Spring washer 10.2 galv. 82008 82008	23P10SP	2	23P10SP	2
32	Round washer 10 galv. 82005 82005	23P10 82005	10	23P10 82005	10
33	Spring washer 12 galv., 82008 82008	23P12SP	3	23P12SP	3
34	Round washer 12 galv., 82005	23P12OC	9	23P12OC	9
35	Locking washer	N272 11.09.02	3	N272 11.09.02	3
36*	Spring washer \varnothing 12.2	PN-77/M-82008	1	PN-77/M-82008	1
37	Round washer 14 galv. 82005 82005	23P14OC	60	23P14OC	60
38	Thrust washer	N272 11.09.10	2	N272 11.09.10	2
39	Self locking nut M14 galv., 82175 8 82175 8	23NS14OC	35	23NS14OC	35
40	Self locking nut M16 galv., 82175 8 82175 8	23NS16OC	12	23NS16OC	12

Key:

36* – included in: gearbox MB10.18, complete (4 chain wheels) - **POD-WPS-000190**

20. 2-ROTOR HORIZONTAL DISC ADAPTER N272 11.00.00.3 (from 2022)



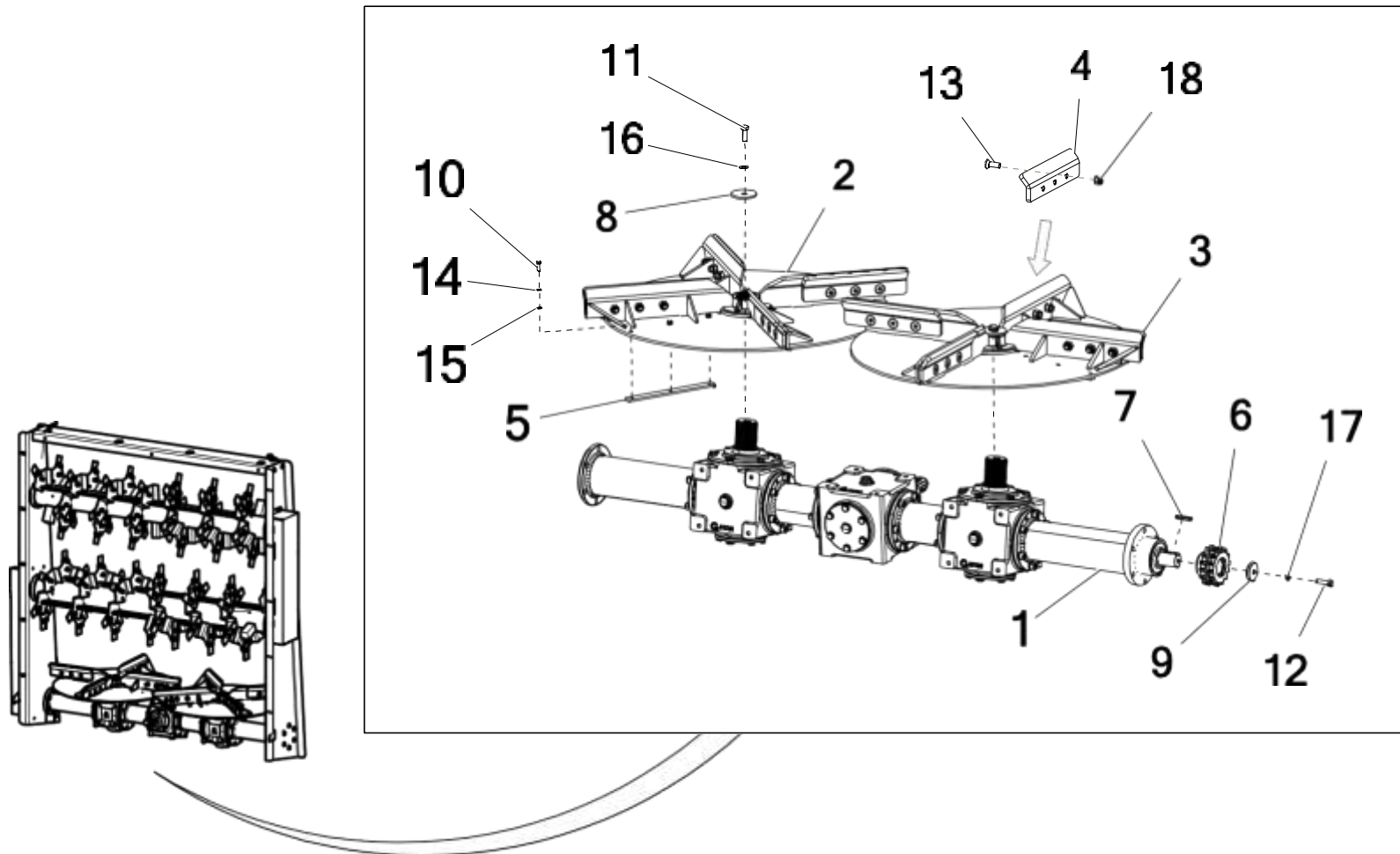
20. 2-ROTOR HORIZONTAL DISC ADAPTER N272 11.00.00.3 (from 2022)

No.	Part or assembly name	Fig. or index No.			
		N272/1	Number	N272/2	Number
41	Self locking nut m10oc 82175 82175 8	23NS10OC	4	23NS10OC	4
42	Bolt 10 x 30 galv. 8.8 82105 82105	23S10/30OC 8.8	4		4
43	Lower guard	N272 13.02.00.2	1	N272 13.02.00.2	1
44*	Bolt M12 x 45-8.8	PN-EN ISO 2009:1999	1	PN-EN ISO 2009:1999	1
45*	Parallel key B 14 x 9 x 60	PN-70/M-85005	1	PN-70/M-85005	1
46*	Pressure pad	MB 10.18-30.05	1	MB 10.18-30.05	1
47	Collector bar (x2)	N277-7 00.11.07	2	N277-7 00.11.07	2
48	Lubricating nipple M8 x 1.0 straight	23SM8	4	23SM8	4
49	Bolt 6 x 30 galv., 8.8 82101	POD-ELZ-000525	4	POD-ELZ-000525	4
50	Round washer 6 galv., 82005 82005	23P6OOC	4	23P6OOC	4
51	Central lubrication nipple Bearing – lubrication line, flex., D1 = 3, D2 = 6 /112- 35127-2	POD-HYD-000005	3 m	POD-HYD-000005	3 m
52	Straight quick-coupling GEK-6-M8x1 symbol: 226-13752-7	POD-HYD-000004	4	POD-HYD-000004	4
53*	Chain wheel, 14 teeth	MB 10.18-30.04/01	1	MB 10.18-30.04/01	1

Key:

44*, 45*, 46*, 53* – included as part of the following set: gearbox MB10.18, complete (4 chain wheels) - **POD-WPS-000190**

**21. 2-ROTOR HORIZONTAL DISC ADAPTER WITH 4-BLADE DISCS
(optional)**



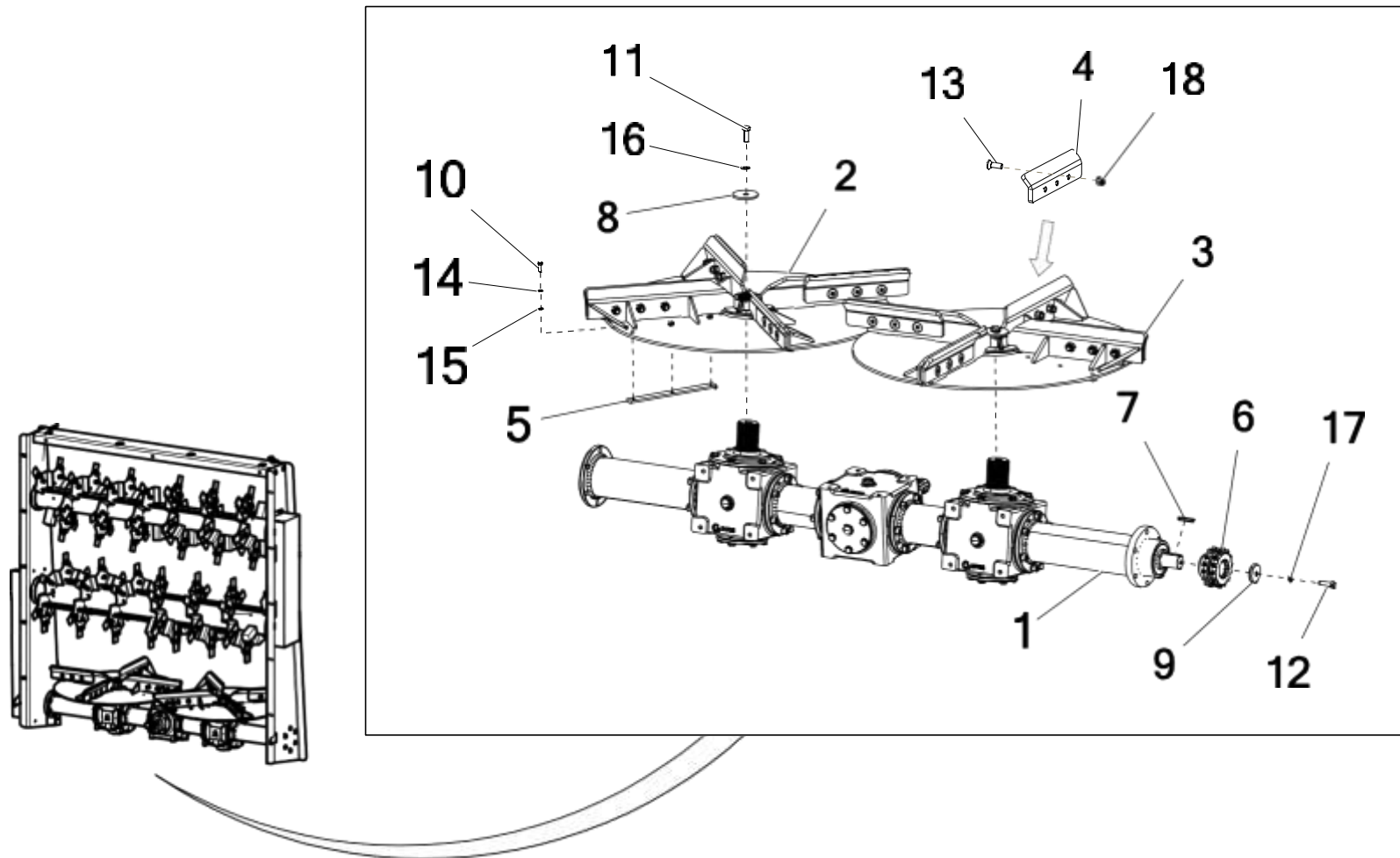
21. 2-ROTOR HORIZONTAL DISC ADAPTER WITH 4-BLADE DISCS (optional)

No.	Part or assembly name	Fig. or index No.			
		N272/1	Number	N272/2	Number
1	Gearbox MB 10.18, complete (4 chain wheels)	POD-WPS-000190	1	POD-WPS-000190	1
2	Right bottom disc (4-blade)	N272 11.11.00P	1	N272 11.11.00P	1
3	Left bottom disc (4-blade)	N272 11.11.00L	1	N272 11.11.00L	1
4	Horizontal adapter disc blade (screwed on)	N272 11.09.11	8	N272 11.09.11	8
5	Disc scraper	N272 10.31.24S	4	N272 10.31.24S	4
6*	Chain wheel, 14 teeth	MB 10.18-30.04/01	1	MB 10.18-30.04/01	1
7*	Parallel key B 14 x 9 x 60	PN-70/M-85005	1	PN-70/M-85005	1
8	Thrust washer	N272 11.09.10	2	N272 11.09.10	2
9*	Pressure pad	MB 10.18-30.05	1	MB 10.18-30.05	1
10	Bolt 8 x 25 galv., 8.8 82105 82105	23S8/25OC8.8	12	23S8/25OC8.8	12
11	Bolt 14 x 40 galv. 8.8 82105 82105	23S14/40 8.8	2	23S14/40 8.8	2
12*	Bolt M12 x 45-8.8	PN-EN ISO 2009:1999	1	PN-EN ISO 2009:1999	1
13	Counter sunk Allen screw 16x45 galv. 8.8 DIN7991	POD-ELZ-000745	24	POD-ELZ-000745	24

Key:

6*, 7*, 9*, 12* – included as part of the following set: gearbox MB10.18, complete (4 chain wheels) - **POD-WPS-000190**

21. 2-ROTOR HORIZONTAL DISC ADAPTER WITH 4-BLADE DISCS
(optional)



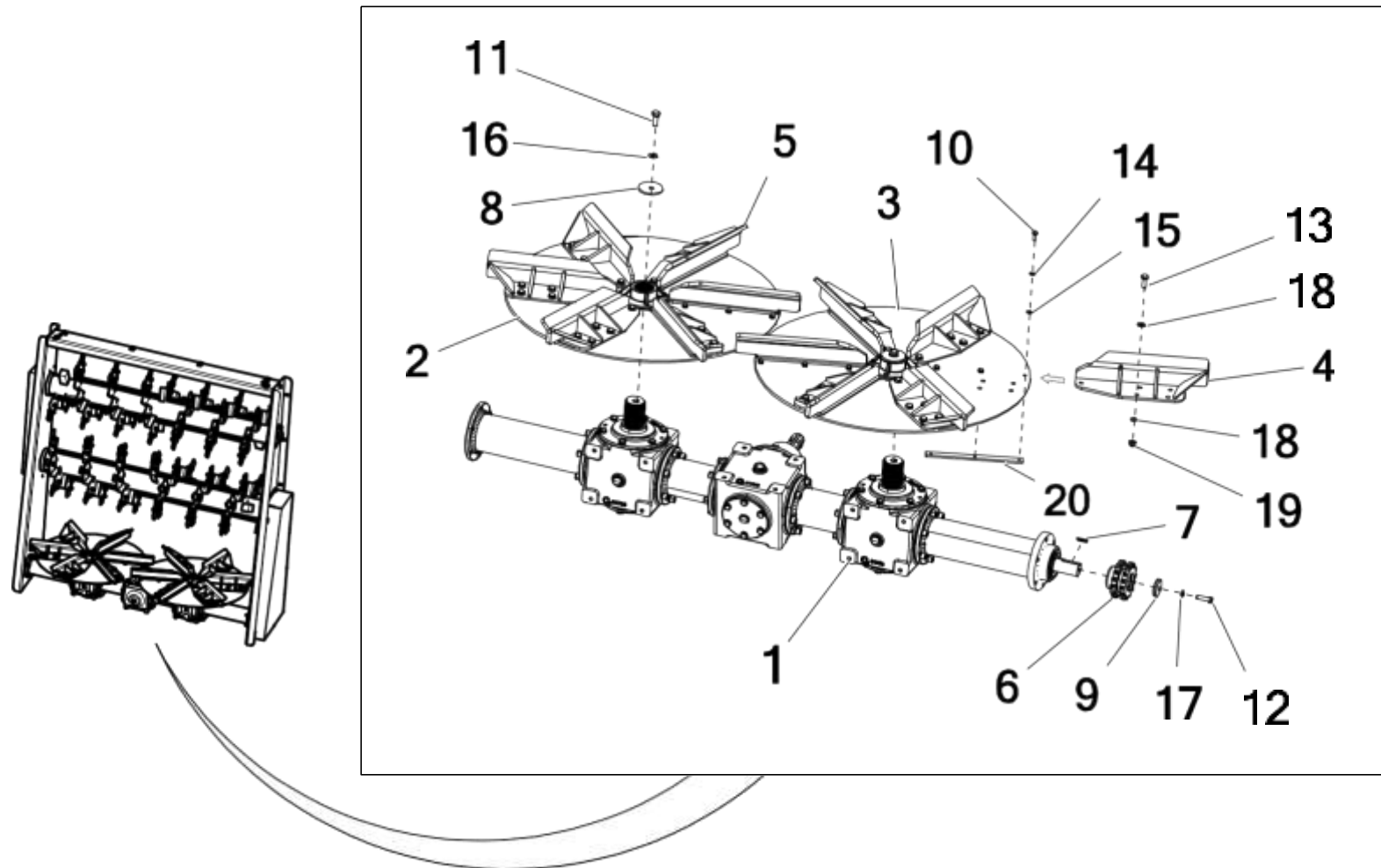
21. 2-ROTOR HORIZONTAL DISC ADAPTER WITH 4-BLADE DISCS (optional)

No.	Part or assembly name	Fig. or index No.			
		N272/1	Number	N272/2	Number
14	Spring washer 8.2 galv., 82008 82008	23P8SPOC	12	23P8SPOC	12
15	Round washer 8 galv., 82005 82005	23P8OOC	12	23P8OOC	12
16	NORD-LOCK NL14 washer (15,2 x 23 x 3,4)	POD-ELZ-001187	2	POD-ELZ-001187	2
17*	Spring washer ø12.2	PN-77/M-82008	1	PN-77/M-82008	1
18	Self locking nut M16 galv., 82175 8 82175 8	23NS16OC	24	23NS16OC	24

Key:

17* – included in: gearbox MB10.18, complete (4 chain wheels) - **POD-WPS-000190**

**22. 2-ROTOR HORIZONTAL DISC ADAPTER N272 11.00.00.4 –
6-BLADE DISCS**



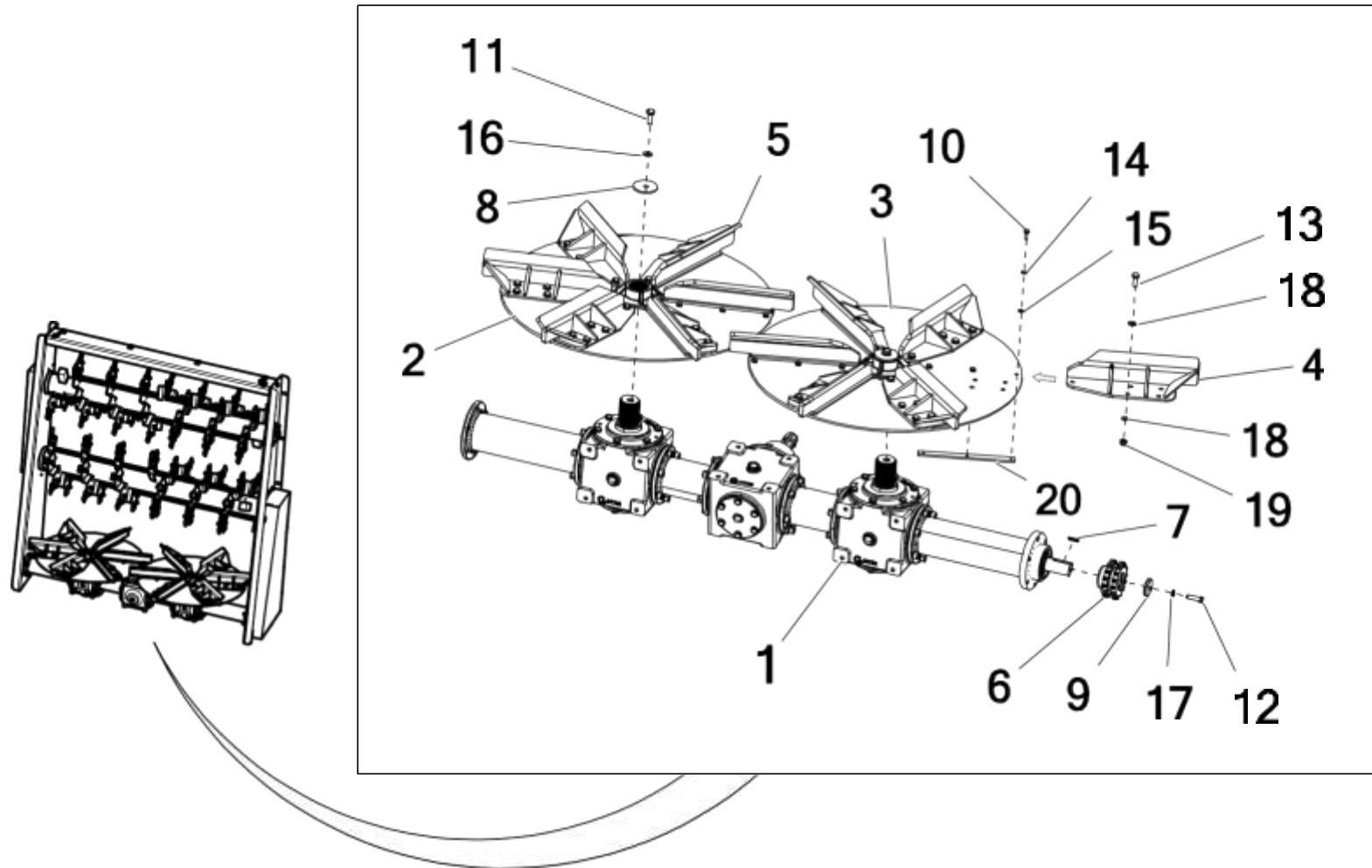
22. 2-ROTOR HORIZONTAL DISC ADAPTER N272 11.00.00.4 – 6-BLADE DISCS

No.	Part or assembly name	Fig. or index No.			
		N272/1	Number	N272/2	Number
1	Gearbox MB 10.18, complete (4 chain wheels)	POD-WPS-000190	1	POD-WPS-000190	1
2	6-blade disc, left side, complete	N272 11.12.00L	1	N272 11.12.00L	1
3	6-blade disc, right side, complete	N272 11.12.00P	1	N272 11.12.00P	1
4	Screw-on disc blade, right side, complete	N272 11.12.20P	6	N272 11.12.20P	6
5	Screw-on disc blade, left side, complete	N272 11.12.20L	6	N272 11.12.20L	6
6*	Chain wheel, 14 teeth	MB 10.18-30.04/01	1	MB 10.18-30.04/01	1
7*	Parallel key B 14 x 9 x 60	PN-70/M-85005	1	PN-70/M-85005	1
8	Thrust washer	N272 11.09.10	2	N272 11.09.10	2
9*	Pressure pad	MB 10.18-30.05	1	MB 10.18-30.05	1
10	Bolt 8 x 25 galv., 8.8 82105 82105	23S8/25OC8.8	12	23S8/25OC8.8	12
11	Bolt 14 x 40 galv. 8.8 82105 82105	23S14/40 8.8	2	23S14/40 8.8	2
12*	Bolt M12 x 45-8.8	PN-EN ISO 2009:1999	1	PN-EN ISO 2009:1999	1
13	Bolt 12 x 35 galv. 8.8 82105 82105	23S12/35OC 8.8	60	23S12/35OC 8.8	60

Key:

6*, 7*, 9*, 12* – included as part of the following set: gearbox MB10.18, complete (4 chain wheels) - **POD-WPS-000190**

**22. 2-ROTOR HORIZONTAL DISC ADAPTER N272 11.00.00.4 –
6-BLADE DISCS**



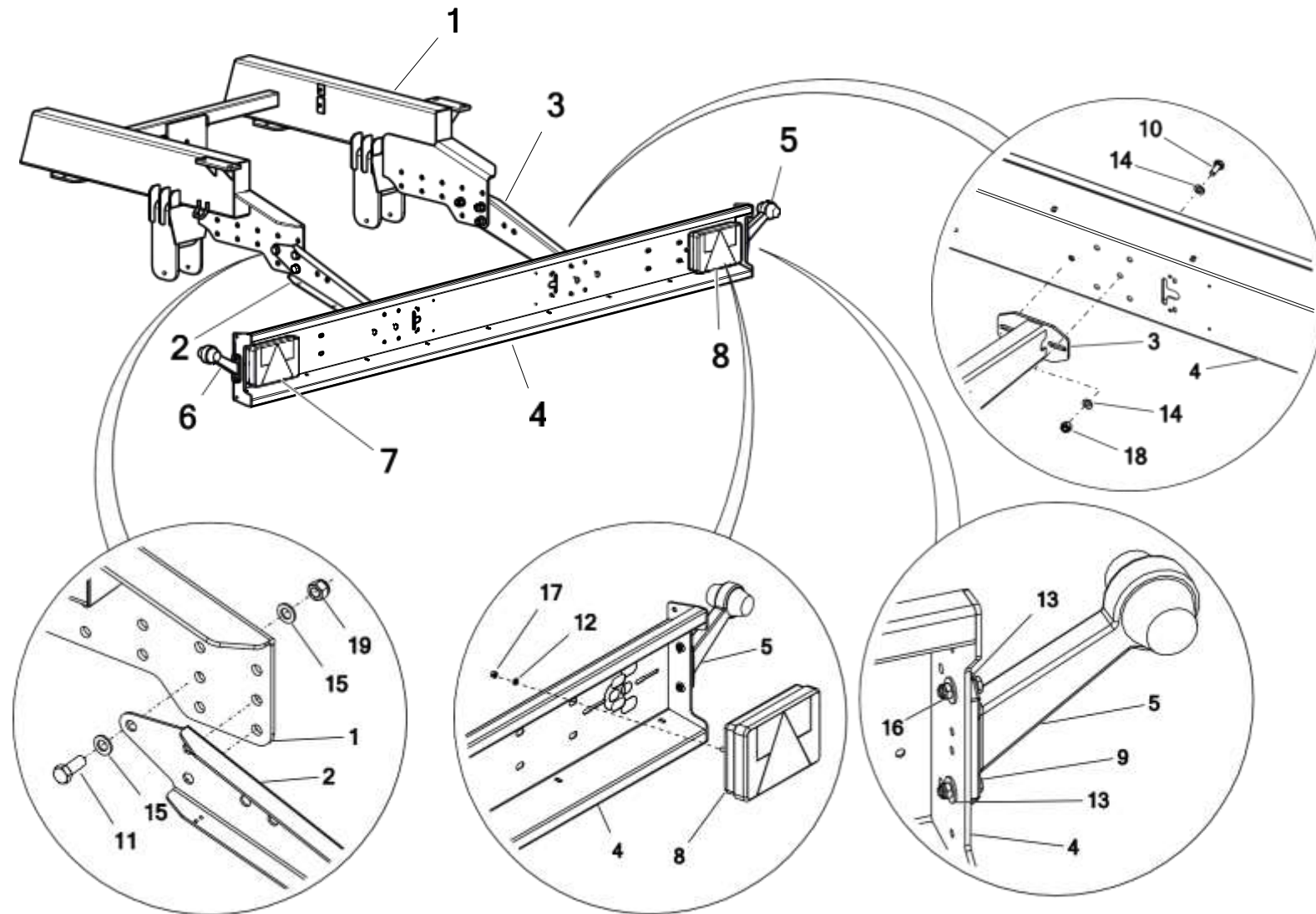
22. 2-ROTOR HORIZONTAL DISC ADAPTER N272 11.00.00.4 – 6-BLADE DISCS

No.	Part or assembly name	Fig. or index No.			
		N272/1	Number	N272/2	Number
14	Spring washer 8.2 galv., 82008 82008	23P8SPOC	12	23P8SPOC	12
15	Round washer 8 galv., 82005 82005	23P8OOC	12	23P8OOC	12
16	NORD-LOCK NL14 washer (15,2 x 23 x 3,4)	POD-ELZ-001187	2	POD-ELZ-001187	2
17*	Spring washer ø12.2	PN-77/M-82008	1	PN-77/M-82008	1
18	Round washer 12 galv., 82005	23P12OC	120	23P12OC	120
19	Self locking nut M12 galv., 82175 8 82175 8	23NS12OC	60	23NS12OC	60
20	Disc scraper	N272 10.31.24S	4	N272 10.31.24S	4

Key:

17* – included in: gearbox MB10.18, complete (4 chain wheels) - **POD-WPS-000190**

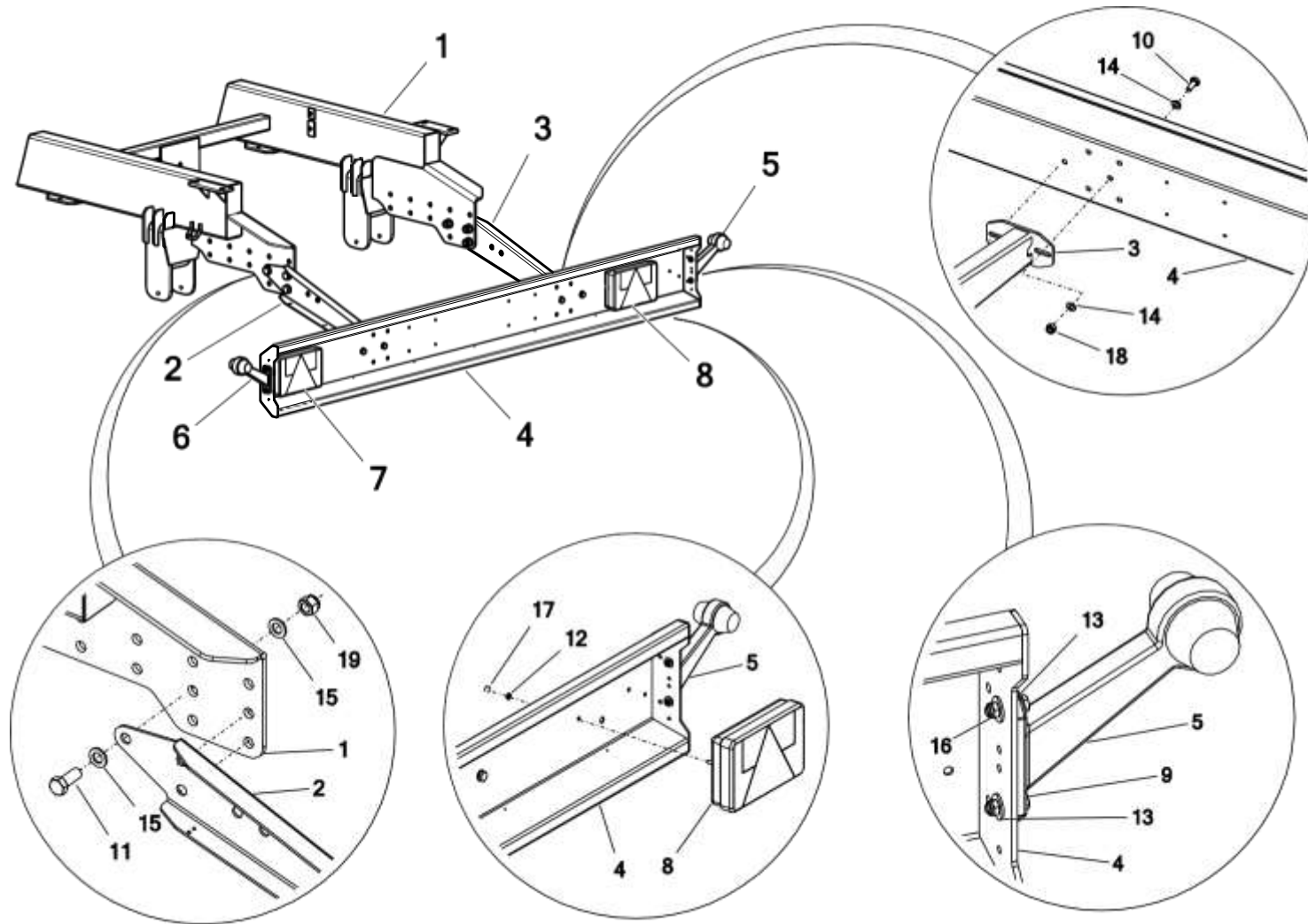
23. LIGHT BAR, COMPLETE



23. LIGHT BAR, COMPLETE

No.	Part or assembly name	Fig. or index No.			
		N272/1	Number	N272/2	Number
1	Lower frame	N272 01.00.00.1	1	N272 01.00.00.1	1
2	Light bar mounting, left side	N272 12.02.00L	1	N272 12.02.00L	1
3	Light bar mounting, right side	N272 12.02.00P	1	N272 12.02.00P	1
4	Light bar, complete	N277-7 25.01.00.1	1	N277-7 25.01.00.1	1
5	Bulb marker lamp on an extension arm HOR50 LO356/P, right side	POD-ELK-000117	1	POD-ELK-000117	1
6	Bulb marker lamp on an extension arm HOR50 LO356/L, left side	POD-ELK-000118	1	POD-ELK-000118	1
7	Bulb lamp cluster HOR45 LZT471, left side	POD-ELK-000012-1	1	POD-ELK-000012-1	1
8	Bulb lamp cluster HOR45 LZT478, right side	POD-ELK-000013-1	1	POD-ELK-000013-1	1
9	Bolt 6 x 25 galv., 8.8 82105	23S6/25OC 105	4	23S6/25OC 105	4
10	Bolt 10 x 25 galv. 8.8 82105 82105	23S10/25OC 8.8	4	23S10/25OC 8.8	4
11	Bolt 16 x 40 black 8.8 82105 82105	23S16/45	6	23S16/45	6
12	Nut M6 galv. 82144 5 82144 5	23N6OC	4	23N6OC	4

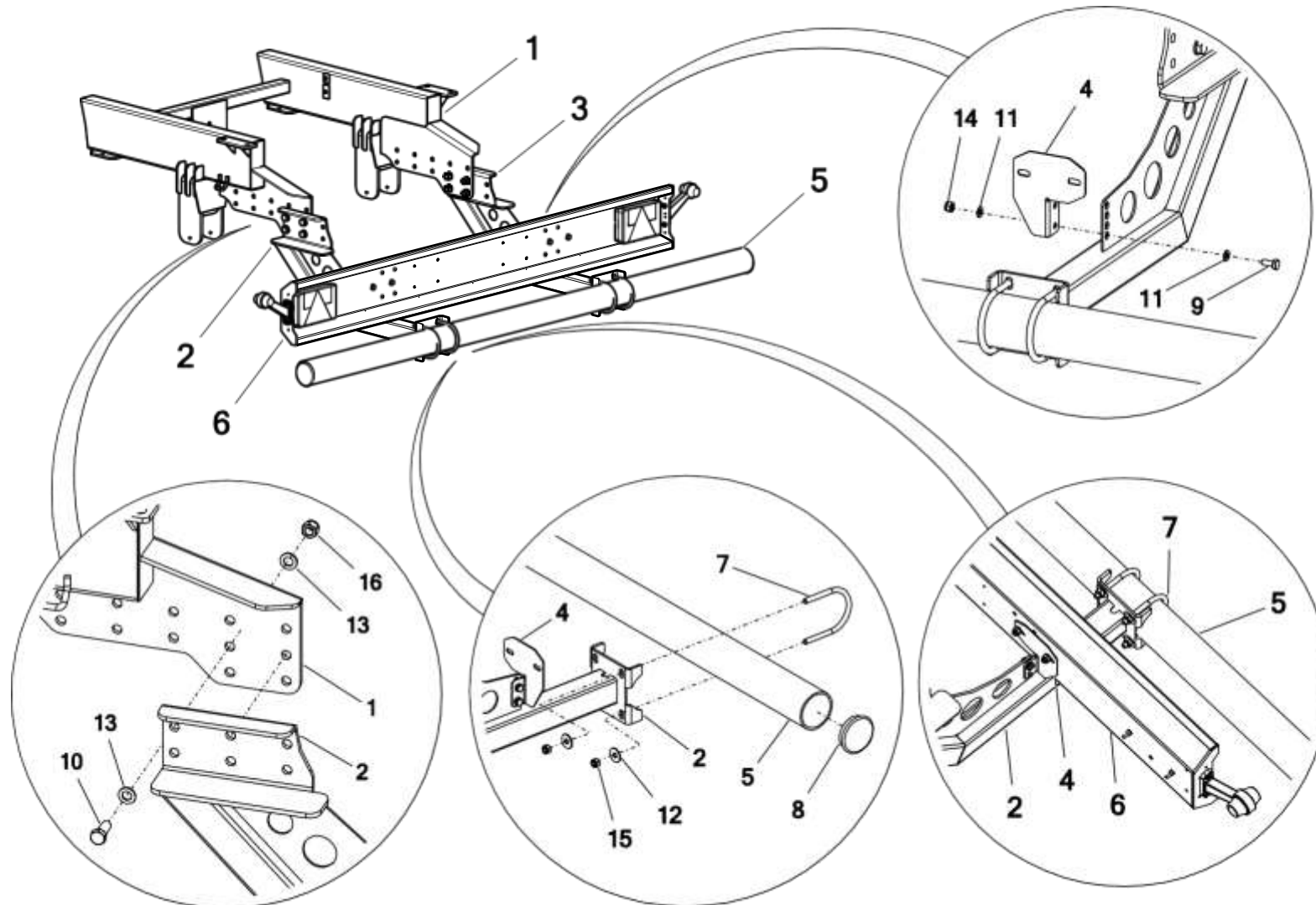
23. LIGHT BAR, COMPLETE



23. LIGHT BAR, COMPLETE

No.	Part or assembly name	Fig. or index No.			
		N272/1	Number	N272/2	Number
13	Round washer 6 galv., coated 82030	23P6OC030	8	23P6OC030	8
14	Round washer 10 galv. 82005 82005	23P10 82005	8	23P10 82005	8
15	Round washer 16 galv., 82005 82005	23P16OOC	6	23P16OOC	6
16	Self-locking nut M6 galv., 82175 8 82175 8	23NS6OC	4	23NS6OC	4
17	Self-locking nut M6 galv., 82175 8 82175 8	23NS6OC	4	23NS6OC	4
18	Self-locking nut M10, galv., 82175 8 82175 8	23NS10OC	4	23NS10OC	4
19	Self-tapping nut M16 x 1.5, galv. 82175 8	POD-ELZ-000381	6	POD-ELZ-000381	6

24. RUN BAR (MANSFIELD BAR), COMPLETE



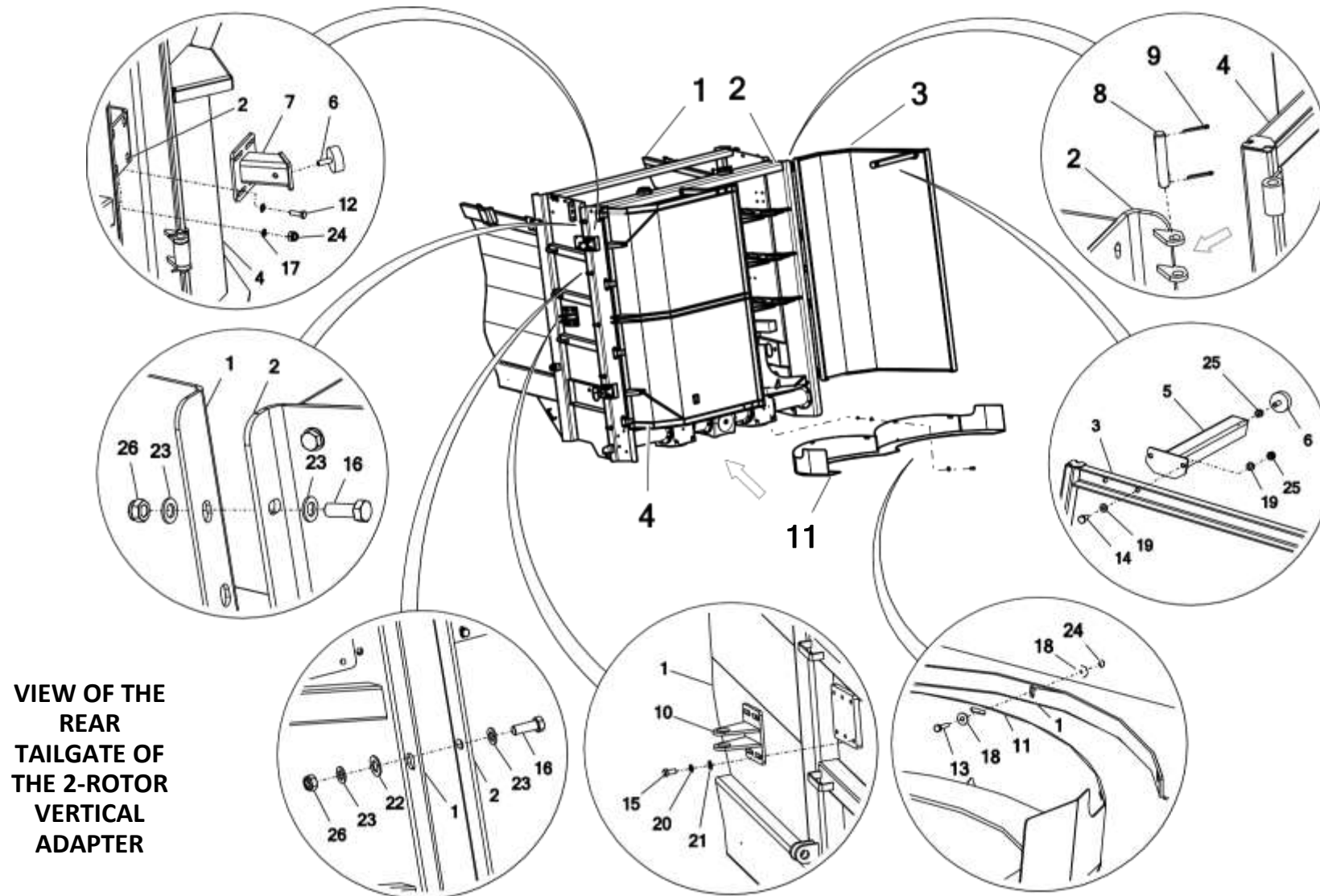
24. RUN BAR (MANSFIELD BAR), COMPLETE

No.	Part or assembly name	Fig. or index No.			
		N272/1	Number	N272/2	Number
1	Lower frame	N272 01.00.00.1	1	N272 01.00.00.1	1
2*	Bar mounting, left side	N272-3 01.13.00L	1	N272-3 01.13.00L	1
3*	Bar mounting, right side	N272-3 01.13.00P	1	N272-3 01.13.00P	1
4*	Light bar mounting	N272-3 01.12.03	2	N272-3 01.12.03	2
5*	Run bar pipe	N272-3 01.12.01	1	N272-3 01.12.01	1
6	Light bar, complete	N277-7 25.01.00.1	1	N277-7 25.01.00.1	1
7*	Run bar U-bolt clamp	N272-3 01.12.02	4	N272-3 01.12.02	4
8*	Plastic stopper diam. 101.6	POD-TSZ-000179	2	POD-TSZ-000179	2
9*	Bolt 10 x 30 galv. 8.8 82105 82105	23S10/30OC 8.8	8	23S10/30OC 8.8	8
10*	Bolt 16 x 45 galv. 8.8 82105 82105	23S16/45OC	8	23S16/45OC	8
11*	Round washer 10 galv. 82005 82005	23P10 82005	16	23P10 82005	16
12*	Round washer, 12 galv., coated 82030	23P12OOC	8	23P12OOC	8
13*	Round washer 16 galv. 82005 82005	23P16OOC	8	23P16OOC	8
14*	Self-tapping nut M16 x 1.5, galv.	POD-ELZ-000381	8	POD-ELZ-000381	8
15*	Self locking nut M12 galv., 82175	23NS12OC	8	23NS12OC	8
16*	Self-tapping nut M16 x 1.5, galv.	POD-ELZ-000381	8	POD-ELZ-000381	8

Key:

2* - 5*, 7* - 16* - included in: Run bar set - **N272-3 01.12.00**

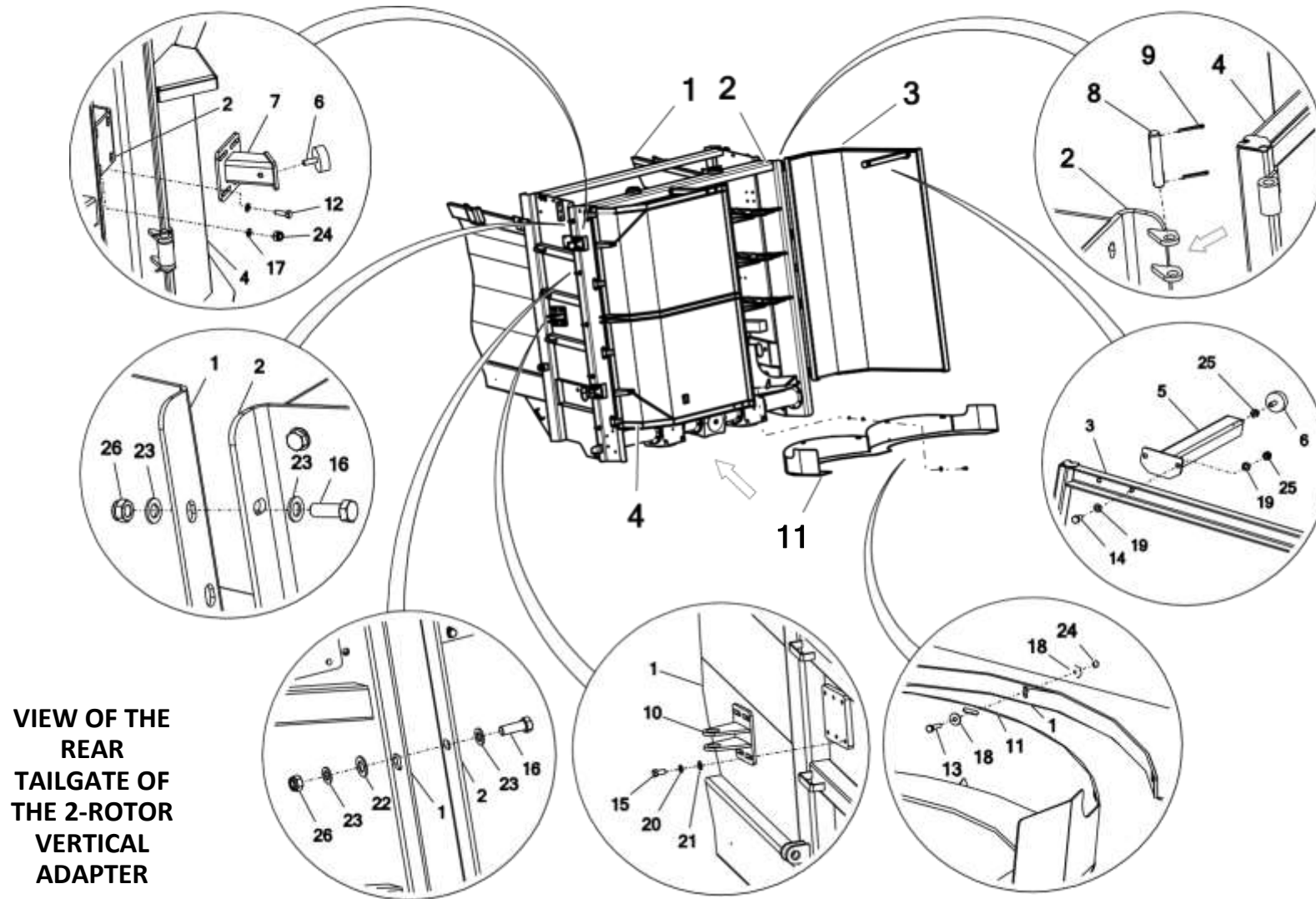
25. TAILGATE (2- AND 4-ROTOR VERTICAL ADAPTER)



25. TAILGATE (2- AND 4-ROTOR VERTICAL ADAPTER)

No.	Part or assembly name	Fig. or index No.			
		N272/1	Number	N272/2	Number
1	Body	N272-1 03.01.00.6	1	N272 03.01.00.6	1
2	2-rotor vertical adapter 2000 x 1680 (1000 rpm) TAURUS N272 10.00.00	N272 10.00.00	1	N272 10.00.00	1
2*	4-rotor vertical adapter 2000 x 1480 (540 rpm) TAURUS N272 10.00.00.1-A4	N272 10.00.00.1-A4	1	N272 10.00.00.1-A4	1
3	Vertical adapter guard, right side	N272 10.07.00.2P	1	N272 10.07.00.2P	1
3*	4-rotor vertical adapter guard, right side N272-1 10.07.00P	N272-1 10.07.00P	1	N272-1 10.07.00P	1
4	Vertical adapter guard, left side	N272 10.07.00.2L	1	N272 10.07.00.2L	1
4*	4-rotor vertical adapter guard, left side N272-1 10.07.00L	N272-1 10.07.00L	1	N272-1 10.07.00L	1
5	Tailgate top spacer	N272 10.08.00	2	N272 10.08.00	2
6	Rubber bumper 50 x 18 M10	POD-TSZ-000107	6	POD-TSZ-000107	6
7	Side lock	N272 10.09.030.1	4	N272 10.09.030.1	4
8	Guard pin	N272 10.04.30	8	N272 10.04.30	8
9	Cotter pin 4 x 32 galv.	POD-ELZ-000542	16	POD-ELZ-000542	16
10	Cylinder mounting	N272 03.36.00.1	2	N272 03.36.00.1	2
11	Adapter bottom guard	N272-3 13.00.00	1	N272-3 13.00.00	1
11*	Bottom cover for 4-rotor adapter N272 13.03.00	N272 13.03.00	1	N272 13.03.00	1

25. TAILGATE (2- AND 4-ROTOR VERTICAL ADAPTER)



VIEW OF THE
REAR
TAILGATE OF
THE 2-ROTOR
VERTICAL
ADAPTER

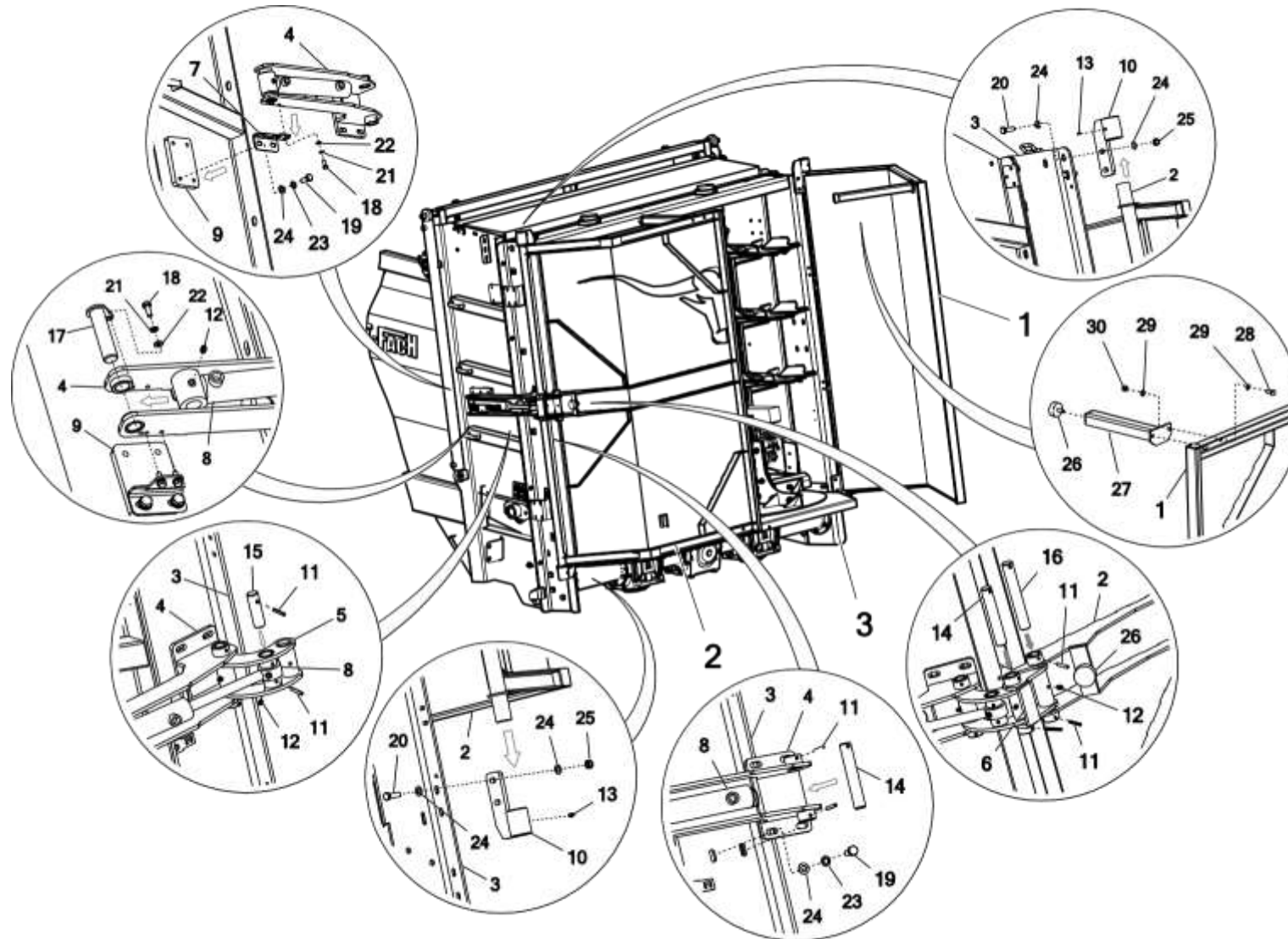
25. TAILGATE (2- AND 4-ROTOR VERTICAL ADAPTER)

No.	Part or assembly name	Fig. or index No.			
		N272/1	Number	N272/2	Number
12	Bolt 8 x 25 galv., 8.8 82105 82105	23S8/25OC8.8	16	23S8/25OC8.8	16
13	Bolt 8 x 35 galv. 8.8 82105 82105	23S8/35OC 8.8	6	23S8/35OC 8.8	6
14	Bolt 10 x 25 galv. 8.8 82105 82105	23S10/25OC 8.8	4	23S10/25OC 8.8	4
15	Bolt 12 x 25 galv. 10.9 82105	POD-ELZ-000689	8	POD-ELZ-000689	8
16	Bolt 16 x 45 galv. 8.8 82105 82105	23S16/45OC	10	23S16/45OC	10
17	Round washer 8 galv., 82005 82005	23P8OOC	32	23P8OOC	32
18	Round washer 8 galv., coated 82030	23P8OC 82030	12	23P8OC 82030	12
19	Round washer 10 galv. 82005 82005	23P10 82005	8	23P10 82005	8
20	Spring washer 12 galv., 82008 82008	23P12SP	8	23P12SP	8
21	Round washer, 12 galv., coated 82030	23P12OOC	8	23P12OOC	8
22	Round washer 20 galv., 82005 82005	23P20OOC	2	23P20OOC	2
23	Round washer 16 galv., 82005 82005	23P16OOC	20	23P16OOC	20
24	Self-locking nut M8, galv., 82175 8 82175 8	23NS8OC	6	23NS8OC	6
25	Self-locking nut M10, galv., 82175 8 82175 8	23NS10OC	2	23NS10OC	2
26	Self-locking nut M16 galv. 82175 8	23NS16OC	10	23NS16OC	10

Key:

2*, 3*, 4*, 11* - included in: 4-rotor vertical adapter 2000 x 1480 (540 RPM) TAURUS - **N272 10.00.00.1-A4**

26. TAILGATE OF THE 2-ROTOR VERTICAL ADAPTER (from 2022)



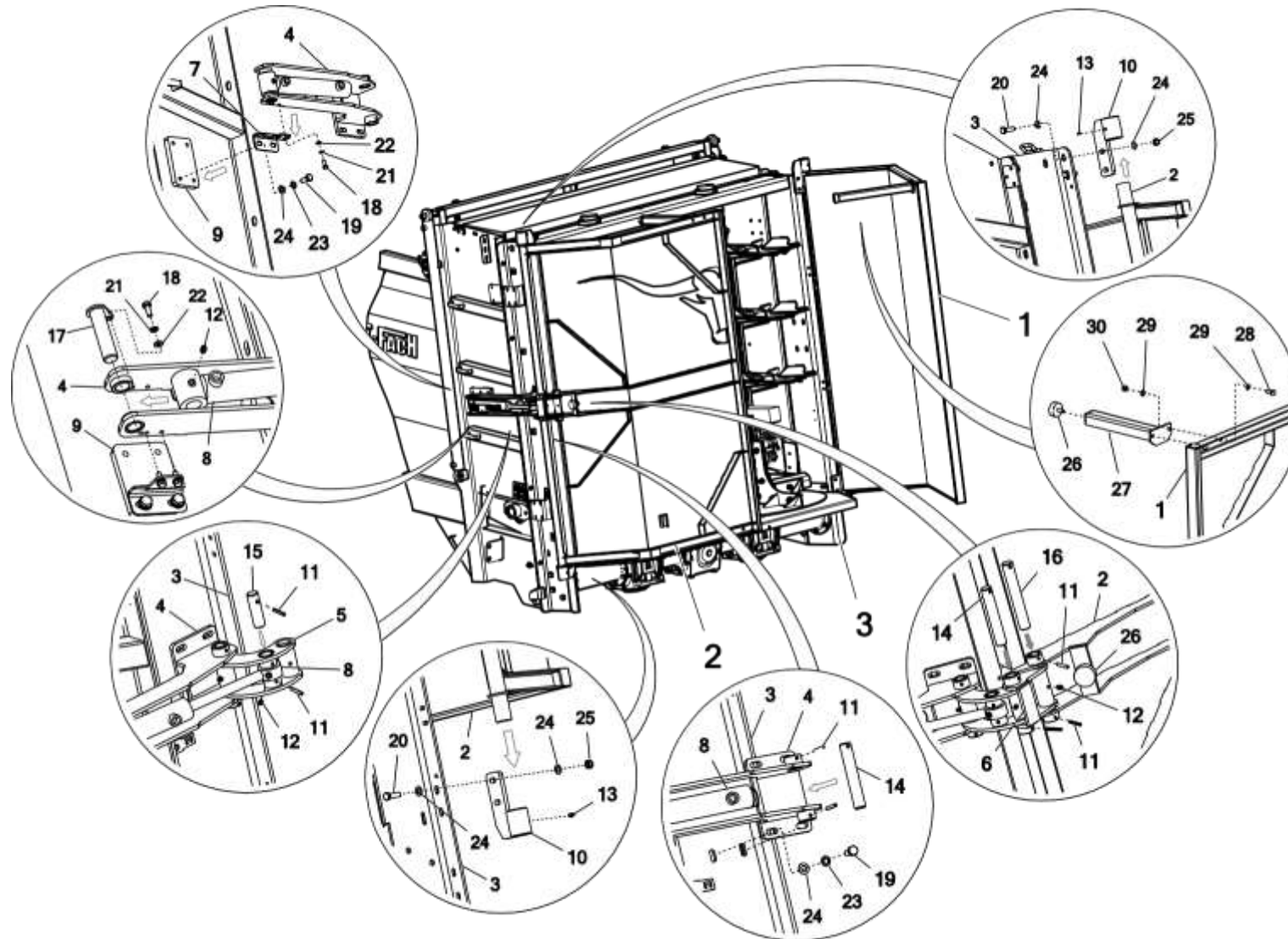
26. TAILGATE OF THE 2-ROTOR VERTICAL ADAPTER (from 2022)

No.	Part or assembly name	Fig. or index No.			
		N272/1	Number	N272/2	Number
1	Vertical adapter guard, right side	N272 10.27.00P	1	N272 10.27.00P	1
2	Vertical adapter guard, left side	N272 10.27.00L	1	N272 10.27.00L	1
3	2-rotor vertical adapter	N272 10.00.00B	1	N272 10.00.00B	1
4	Guard actuator bracket	N272 10.26.00	2	N272 10.26.00	2
5	Guard-opening mechanism switch II	N272 10.25.00	2	N272 10.25.00	2
6	Guard connector I	N272 10.24.00	2	N272 10.24.00	2
7	Actuator bracket connector	N272 10.29.05	2	N272 10.29.05	2
8	Actuator, 50/22/370 L-160	50/22/370 S-160	2	50/22/370 S-160	2
9*	Rear guard actuator plate	N272 03.01.128	2	N272 03.01.128	2
10	Guard hinge	N272 10.28.00	4	N272 10.28.00	4
11	Resilient stud 6 x 45 DIN 1481	23K6/45	8	23K6/45	8
12	Lubricating nipple M8 x 1.0 straight	23SM8	5	23SM8	5
13	Lubricating nipple M10 x 1.0 straight	23SM10/1	4	23SM10/1	4

Key:

9* – inseparable part of the body – N272-1 03.01.00.6, N272 03.01.00.6

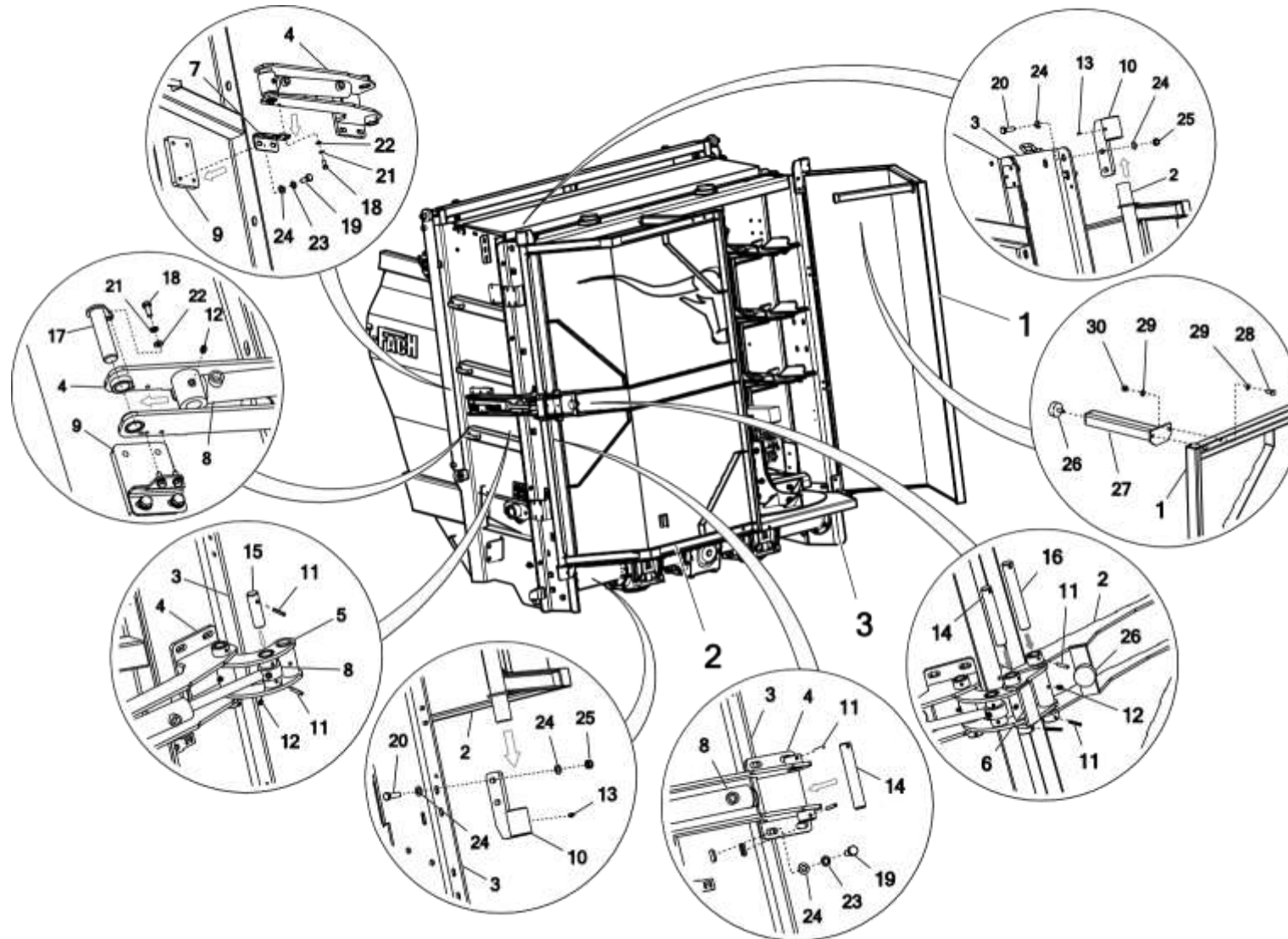
26. TAILGATE OF THE 2-ROTOR VERTICAL ADAPTER (from 2022)



26. TAILGATE OF THE 2-ROTOR VERTICAL ADAPTER (from 2022)

No.	Part or assembly name	Fig. or index No.			
		N272/1	Number	N272/2	Number
14	Guard mechanism pin III	N272 10.29.06	2	N272 10.29.06	2
15	Guard mechanism pin II	N272 10.29.04	1	N272 10.29.04	1
16	Guard mechanism pin I	N272 10.29.03	1	N272 10.29.03	1
17	Cylinder pin	N272 10.29.00	1	N272 10.29.00	1
18	Bolt 8 x 20 galv. 8.8 82105 82105	23S8/20OC 8.8	6	23S8/20OC 8.8	6
19	Bolt 12 x 25 galv. 8.8 82105 82105	23S12/25OC 8.8	12	23S12/25OC 8.8	12
20	Bolt 12 x 40 galv., 8.8 82101 82101	23S12/40OC	8	23S12/40OC	8
21	Spring washer 8.2 galv., 82008 82008	23P8SPOC	2	23P8SPOC	2
22	Round washer 8 galv., 82005 82005	23P8OOC	2	23P8OOC	2
23	Spring washer 12 galv., 82008 82008	23P12SP	12	23P12SP	12
24	Round washer 12 galv., 82005	23P12OC	22	23P12OC	22
25	Self locking nut M12 galv., 82175 8 82175 8	23NS12OC	8	23NS12OC	8

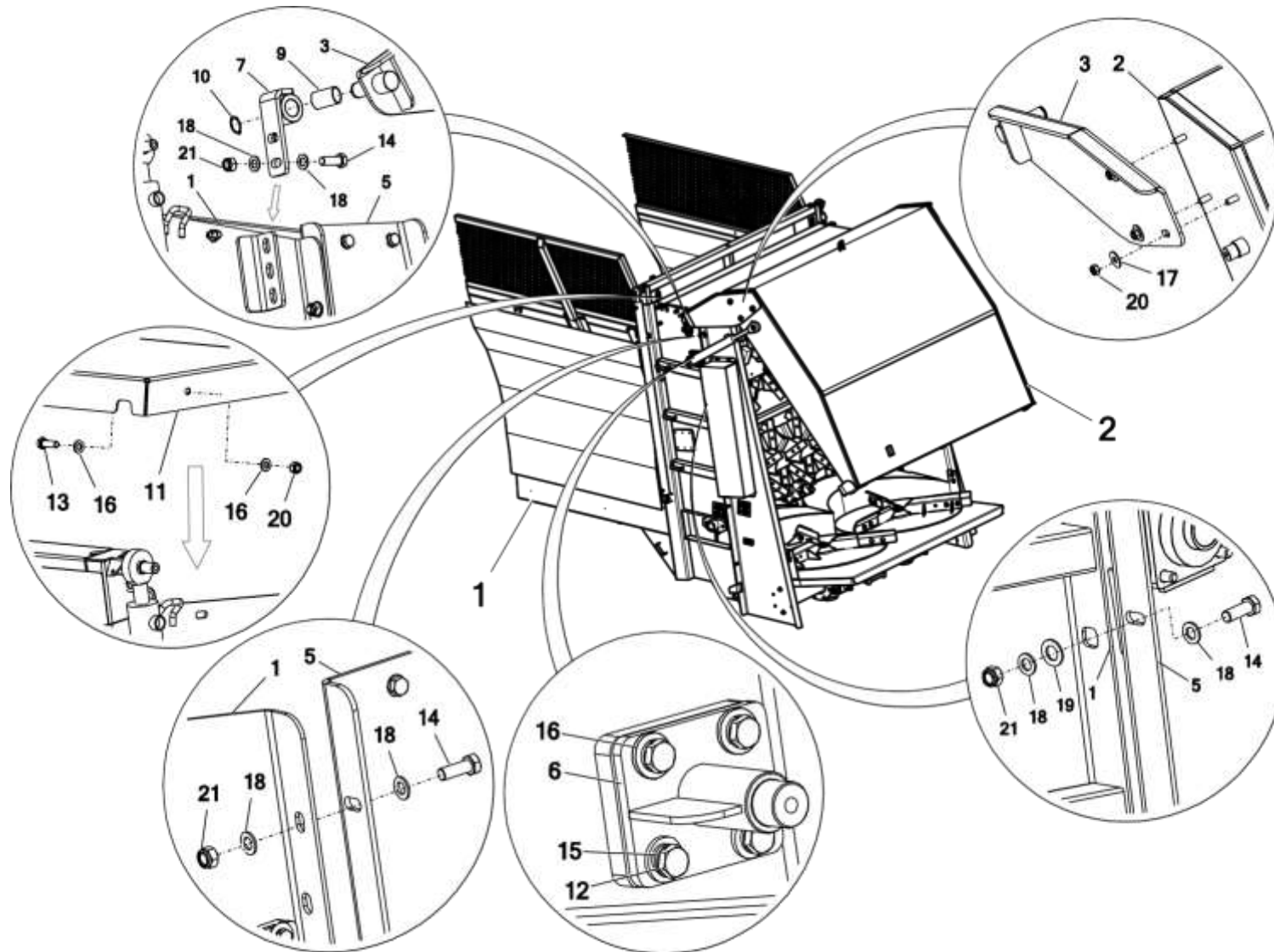
26. TAILGATE OF THE 2-ROTOR VERTICAL ADAPTER (from 2022)



26. TAILGATE OF THE 2-ROTOR VERTICAL ADAPTER (from 2022)

No.	Part or assembly name	Fig. or index No.			
		N272/1	Number	N272/2	Number
26	Rubber bumper 50 x 18 M10	POD-TSZ-000107	4	POD-TSZ-000107	4
27	Guard spacer	N274 08.07.00	2	N274 08.07.00	2
28	Bolt 10 x 25 galv. 8.8 82105 82105	23S10/25OC 8.8	4	23S10/25OC 8.8	4
29	Round washer 10 galv. 82005 82005	23P10 82005	8	23P10 82005	8
30	Self locking nut M10 galv., 82175 8 82175 8	23NS10OC	4	23NS10OC	4

27. TAILGATE OF THE 2-ROTOR HORIZONTAL DISC ADAPTER



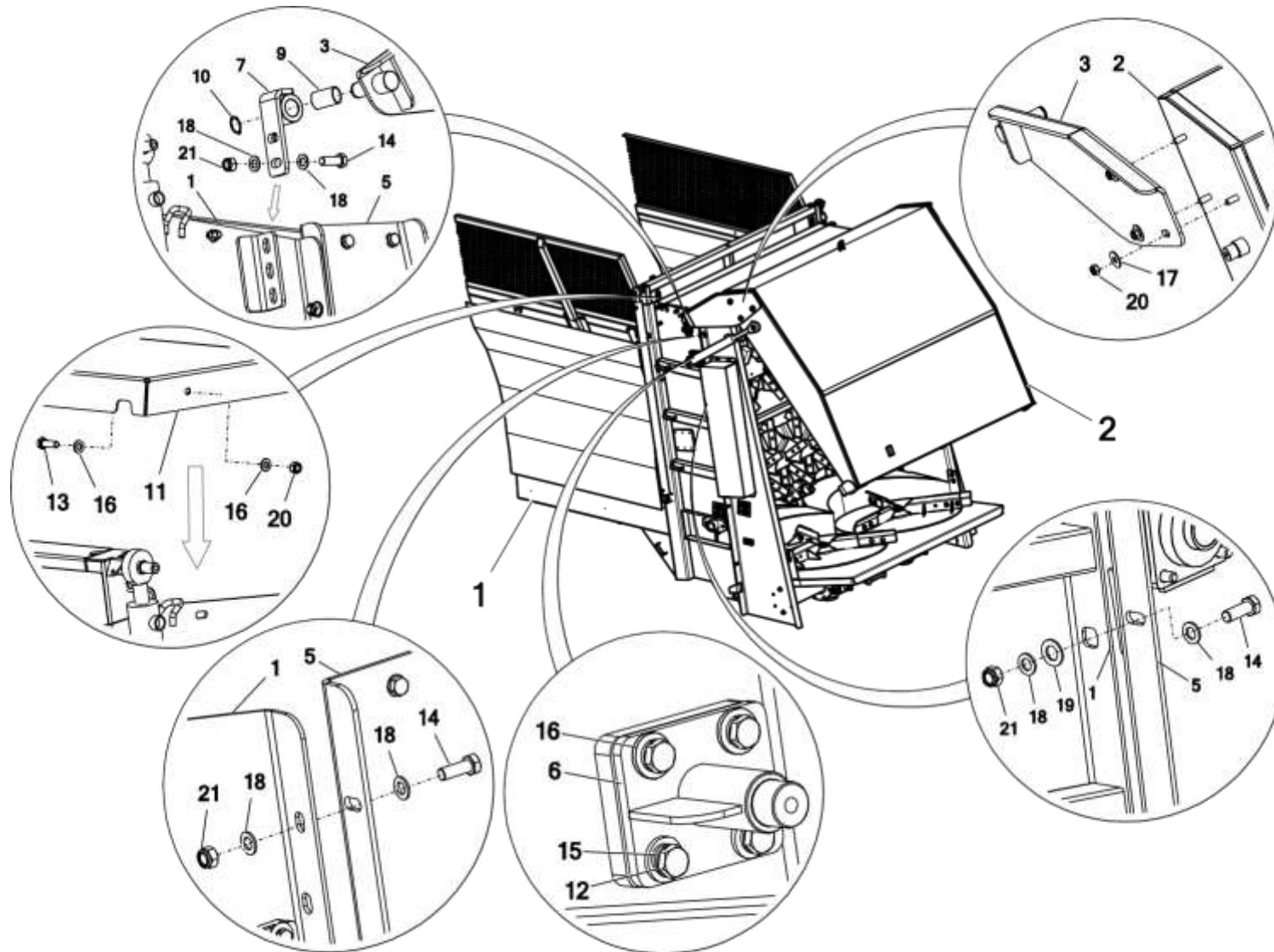
27. TAILGATE OF THE 2-ROTOR HORIZONTAL DISC ADAPTER

No.	Part or assembly name	Fig. or index No.			
		N272/1	Number	N272/2	Number
1	Body	N272-1 03.01.00.6	1	N272 03.01.00.6	1
2	Horizontal adapter rear tailgate	N272 17.01.00.1	1	N272 17.01.00.1	1
3	Metal sheet of the tailgate arm, left side	N272 17.02.00.1L	1	N272 17.02.00.1L	1
4*	Metal sheet of the tailgate arm, right side	N272 17.02.01.1P	1	N272 17.02.01.1P	1
5	2-rotor horizontal disc adapter 2000 x 1830 (1000 rpm)	N272 11.00.00	1	N272 11.00.00	1
6	Mounting of the horizontal tailgate cylinder	N272 03.38.00	2	N272 03.38.00	2
7	Flap hinge left	N272 17.03.00L	1	N272 17.03.00L	1
8*	Flap hinge right	N272 17.03.00P	1	N272 17.03.00P	1
9	Sleeve PAP 3050	25T3050	2	25T3050	2
10	Circlip Z30	23SZ30	2	23SZ30	2
11	Adapter top guard	N272 03.00.08	1	N272 03.00.08	1
12	Bolt 12 x 25 galv. 8.8 82105 82105	23S12/25OC 8.8	8	23S12/25OC 8.8	8

Key:

4* – the item on the right side of the spreader is a mirror image of item **No. 3 (Left flap arm sheet – N272 17.02.00.1L)**, **8*** – the item on the right side of the spreader is a mirror image of item **no. 7 (Left flap hinge – N272 17.03.00L)**

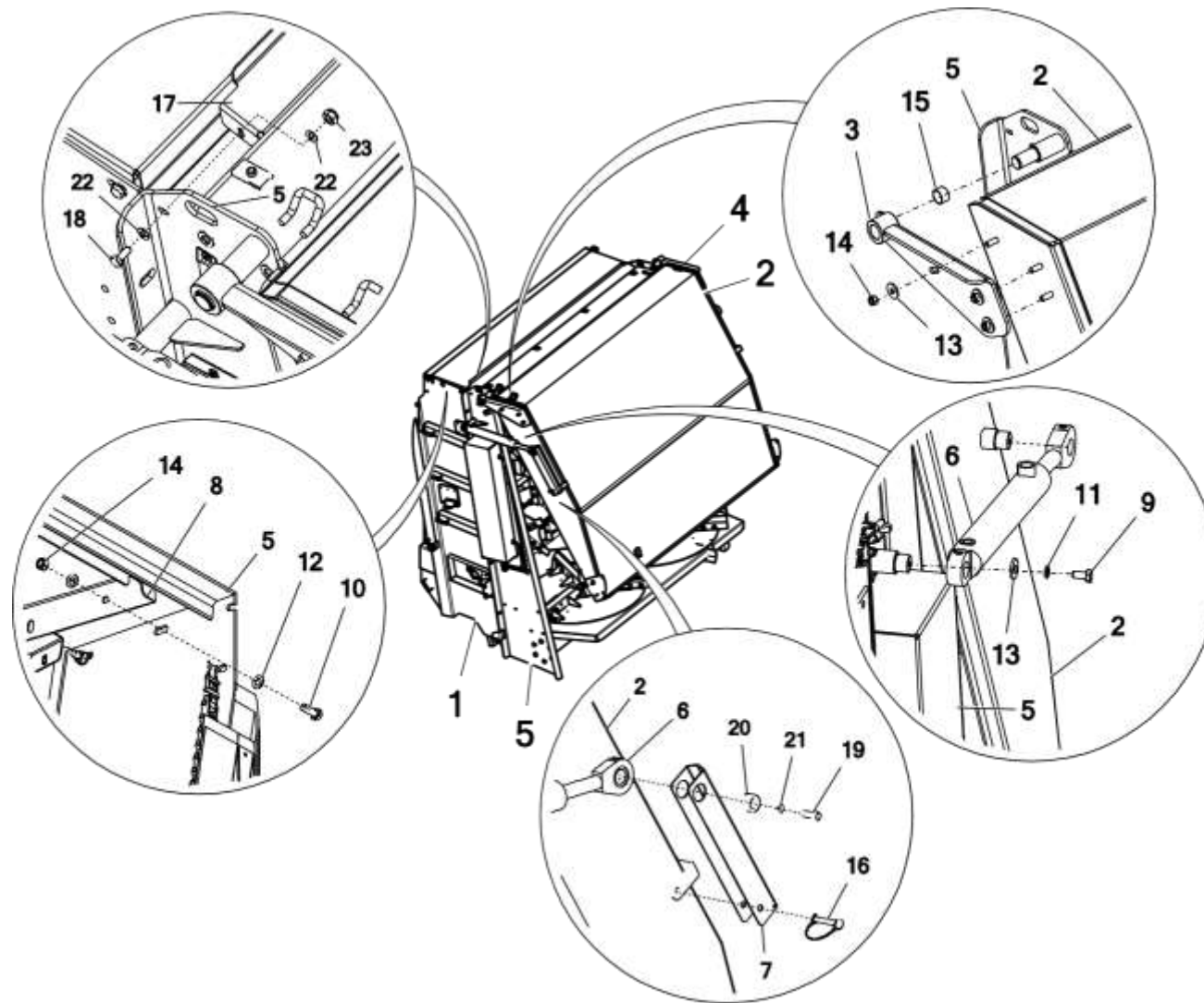
27. TAILGATE OF THE 2-ROTOR HORIZONTAL DISC ADAPTER



27. TAILGATE OF THE 2-ROTOR HORIZONTAL DISC ADAPTER

No.	Part or assembly name	Fig. or index No.			
		N272/1	Number	N272/2	Number
13	Bolt 12 x 35 galv. 8.8 82105 82105	23S12/35OC 8.8	2	23S12/35OC 8.8	2
14	Bolt 16 x 45 galv.10.9 82105	POD-ELZ-000402	14	POD-ELZ-000402	14
15	Spring washer 12 galv., 82008 82008	23P12SP	8		
16	Round washer 12 galv., 82005	23P12OC	4	23P12OC	4
17	Round washer, 12 galv., coated 82030	23P12OOC	6	23P12OOC	6
18	Round washer 16 galv., 82005 82005	23P16OOC	20	23P16OOC	20
19	Round washer 20 galv., 82005 82005	23P20OOC	2	23P20OOC	2
20	Self locking nut M12 galv., 82175 8 82175 8	23NS12OC	2	23NS12OC	2
21	Self locking nut M16, galv., 82175 8 82175 8	23NS16OC	14	23NS16OC	14

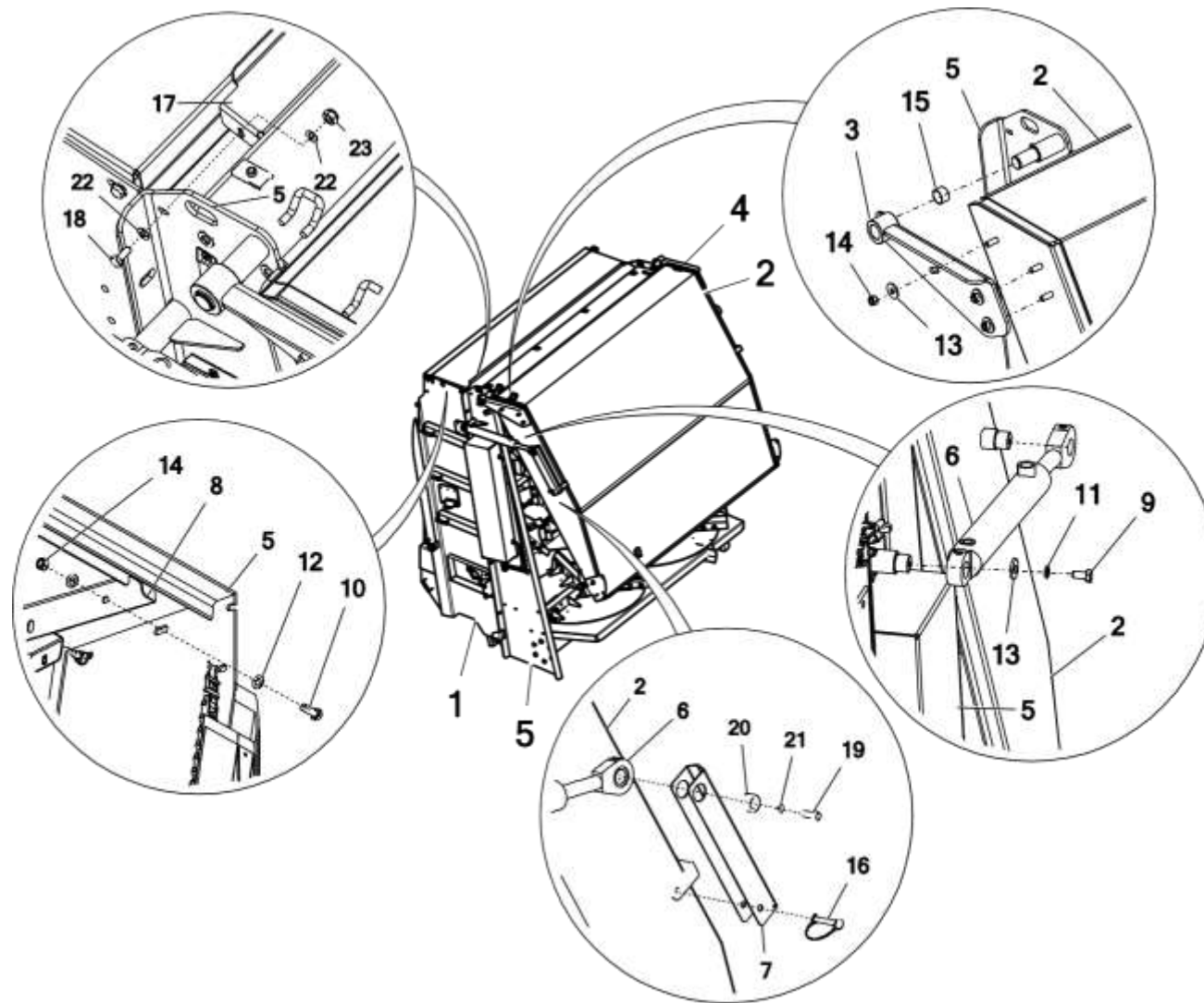
28. TAILGATE OF THE 2-ROTOR HORIZONTAL DISC ADAPTER (from 2020)



28. TAILGATE OF THE 2-ROTOR HORIZONTAL DISC ADAPTER (from 2020)

No.	Part or assembly name	Fig. or index No.			
		N272/1	Number	N272/2	Number
1	Body	N272 03.01.00.6	1	N272 03.01.00.6	1
2	Horizontal adapter rear tailgate	N272 17.01.00.2	1	N272 17.01.00.2	1
3	Tailgate arm, left side	N272 17.02.00.2L	1	N272 17.02.00.2L	1
4	Tailgate arm, right side	N272 17.02.00.2P	1	N272 17.02.00.2P	1
5	2-rotor horizontal disc adapter	N272 11.00.00.3	1	N272 11.00.00.3	1
6	Cylinder 50/28/300z+U L-532	24SCJ2F-16-50/28/300 - 2	2	24SCJ2F-16-50/28/300 - 2	2
7	Tailgate lock	N272 17.00.03	2	N272 17.00.03	2
8	Adapter top guard	N272 03.00.08.1	1	N272 03.00.08.1	1
9	Bolt 12 x 25 galv. 8.8 82105 82105	23S12/25OC 8.8	4	23S12/25OC 8.8	4
10	Bolt 12 x 35 galv. 8.8 82105 82105	23S12/35OC 8.8	4	23S12/35OC 8.8	4
11	Spring washer 12 galv., 82008 82008	23P12SP	4	23P12SP	4
12	Round washer 12 galv., 82005	23P12OC	8	23P12OC	8
13	Round washer, 12 galv., coated 82030	23P12OOC	10	23P12OOC	10
14	Self locking nut M12 galv., 82175 8 82175 8	23NS12OC	10	23NS12OC	10
15	Sleeve PAP 3050	25T3050	2	25T3050	2
16	Tubular pin 10 x 60 A-9.8 C-70	POD-ELZ-000543	2	POD-ELZ-000543	2

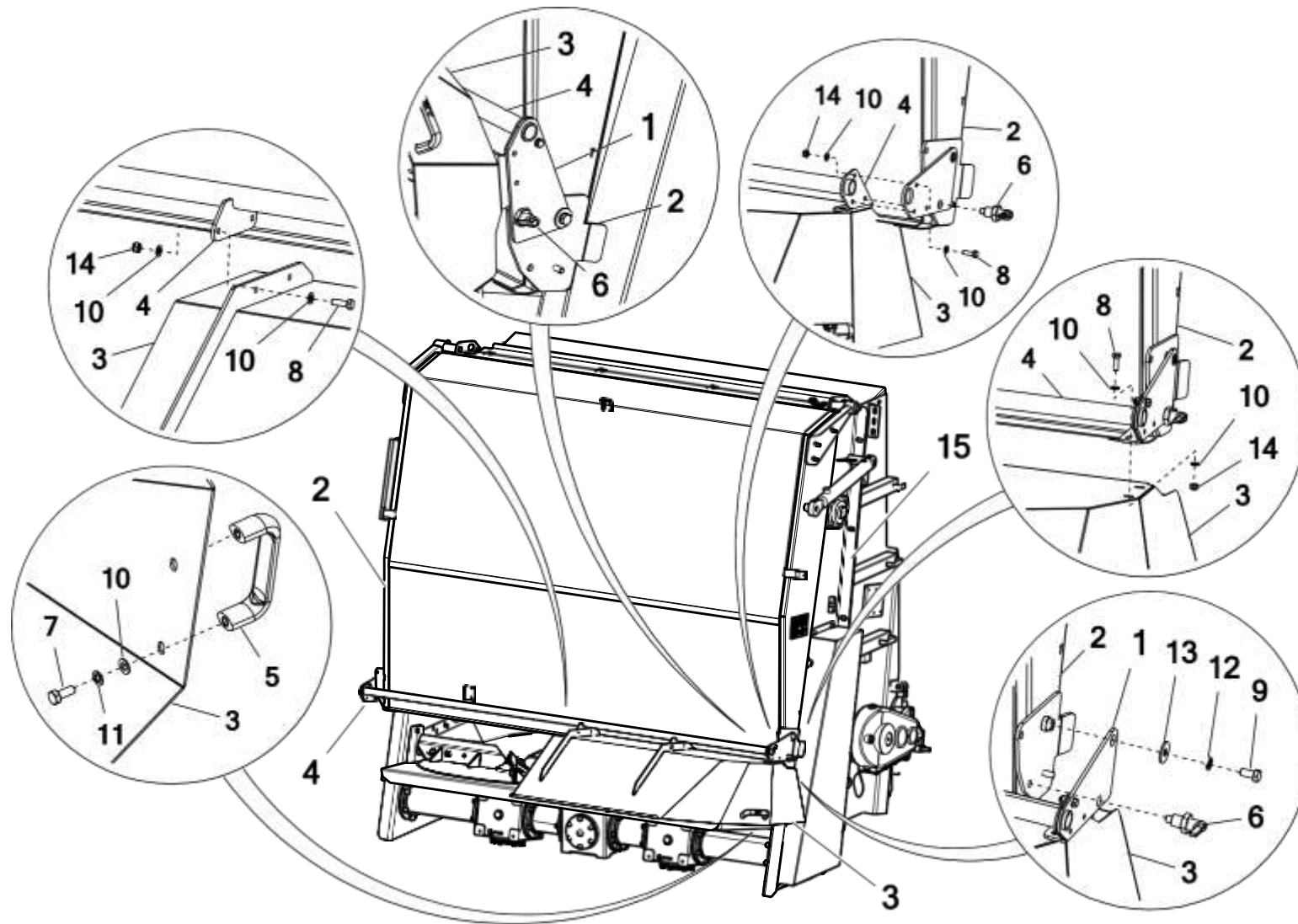
28. TAILGATE OF THE 2-ROTOR HORIZONTAL DISC ADAPTER (from 2020)



28. TAILGATE OF THE 2-ROTOR HORIZONTAL DISC ADAPTER (from 2020)

No.	Part or assembly name	Fig. or index No.			
		N272/1	Number	N272/2	Number
17	Adapter top guard	N272 03.00.11	1	N272 03.00.11	1
18	Bolt 8 x 25 galv., 8.8 82105 82105	23S8/25OC8.8	2	23S8/25OC8.8	2
19	Allen bolt 12 x 30 galv. 8.8 82302	POD-ELZ-000710	2	POD-ELZ-000710	2
20	Spring washer 10.2 galv. 82008 82008	23P10SP	2	23P10SP	2
21	Tailgate lock bushing	N272 17.00.02	2	N272 17.00.02	2
22	Round washer 8 galv., 82005 82005	23P8OOC	8	23P8OOC	8
23	Self-locking nut M8, galv., 82175 8 82175 8	23NS8OC	2	23NS8OC	2

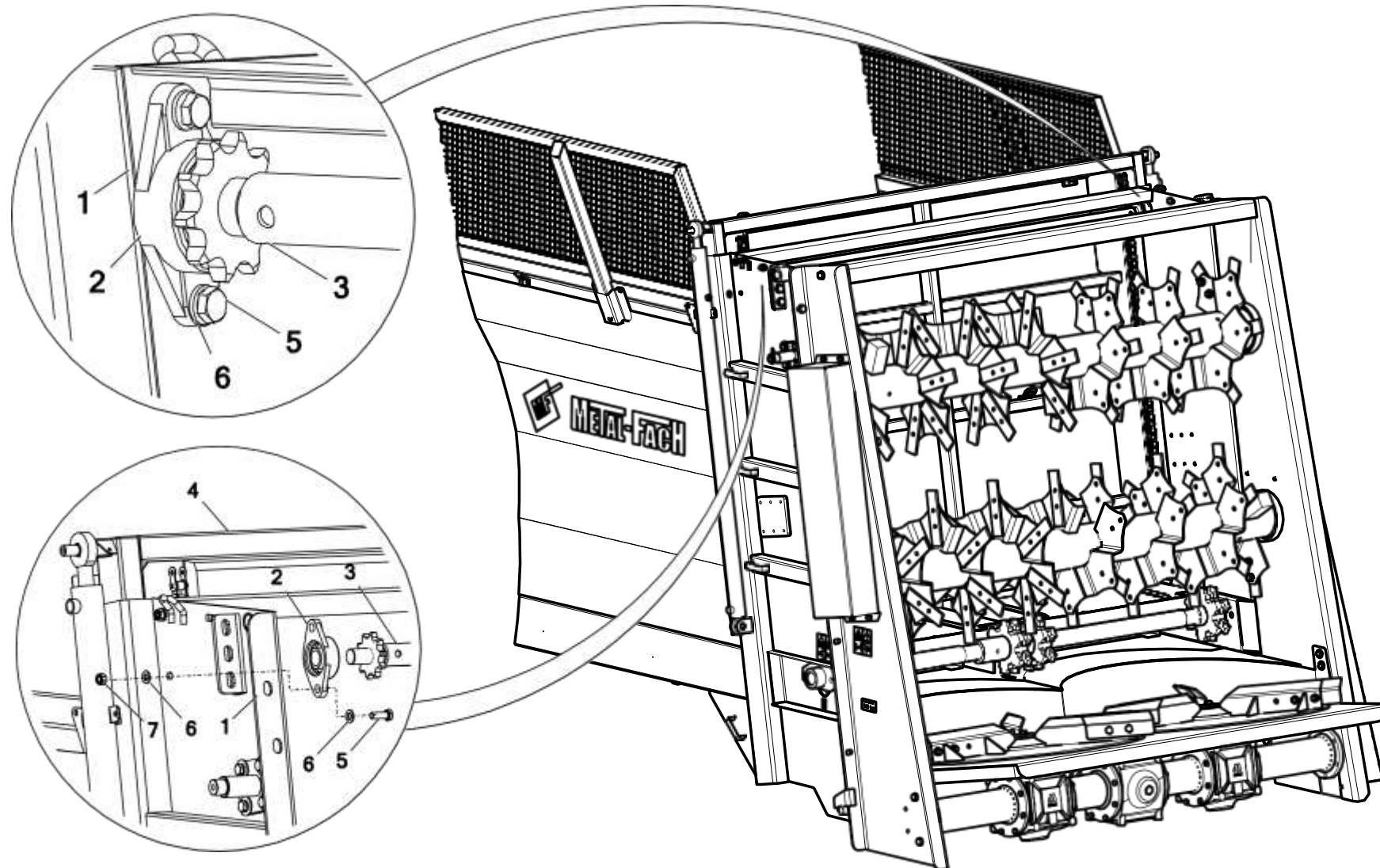
29. HORIZONTAL ADAPTER DEFLECTOR – MANUALLY RETRACTABLE



29. HORIZONTAL ADAPTER DEFLECTOR – MANUALLY RETRACTABLE

No.	Part or assembly name	Fig. or index No.			
		N272/1	Number	N272/2	Number
1	Deflector mounting plate	N272 17.00.01	2	N272 17.00.01	2
2	Horizontal adapter tailgate (Taurus)	N272 17.01.00.2	1	N272 17.01.00.2	1
3	Horizontal adapter deflector	N272 17.04.00	1	N272 17.04.00	1
4	Horizontal adapter deflector frame	N272 17.05.00	1	N272 17.05.00	1
5	Panel holder 465934	POD-TSZ-000195	1	POD-TSZ-000195	1
6	Locking pin with lever 12 mm	POD-OGL-001381	2	POD-OGL-001381	2
7	Bolt 8 x 20 galv. 8.8 82105 82105	23S8/20OC 8.8	2	23S8/20OC 8.8	2
8	Bolt 8 x 25 galv., 8.8 82105 82105	23S8/25OC8.8	10	23S8/25OC8.8	10
9	Bolt 12 x 25 galv. 8.8 82105 82105	23S12/25OC 8.8	2	23S12/25OC 8.8	2
10	Round washer 8 galv., 82005 82005	23P8OOC	20	23P8OOC	20
11	Spring washer 8.2 galv., 82008 82008	23P8SPOC	2	23P8SPOC	2
12	Spring washer 12 galv., 82008 82008	23P12SP	2	23P12SP	2
13	Round washer, 12 galv., coated 82030	23P12OOC	2	23P12OOC	2
14	Self-locking nut M8, galv., 82175 8 82175 8	23NS8OC	12	23NS8OC	12
15	2-rotor horizontal disc adapter	N272 11.00.00.3	1	N272 11.00.00.3	1

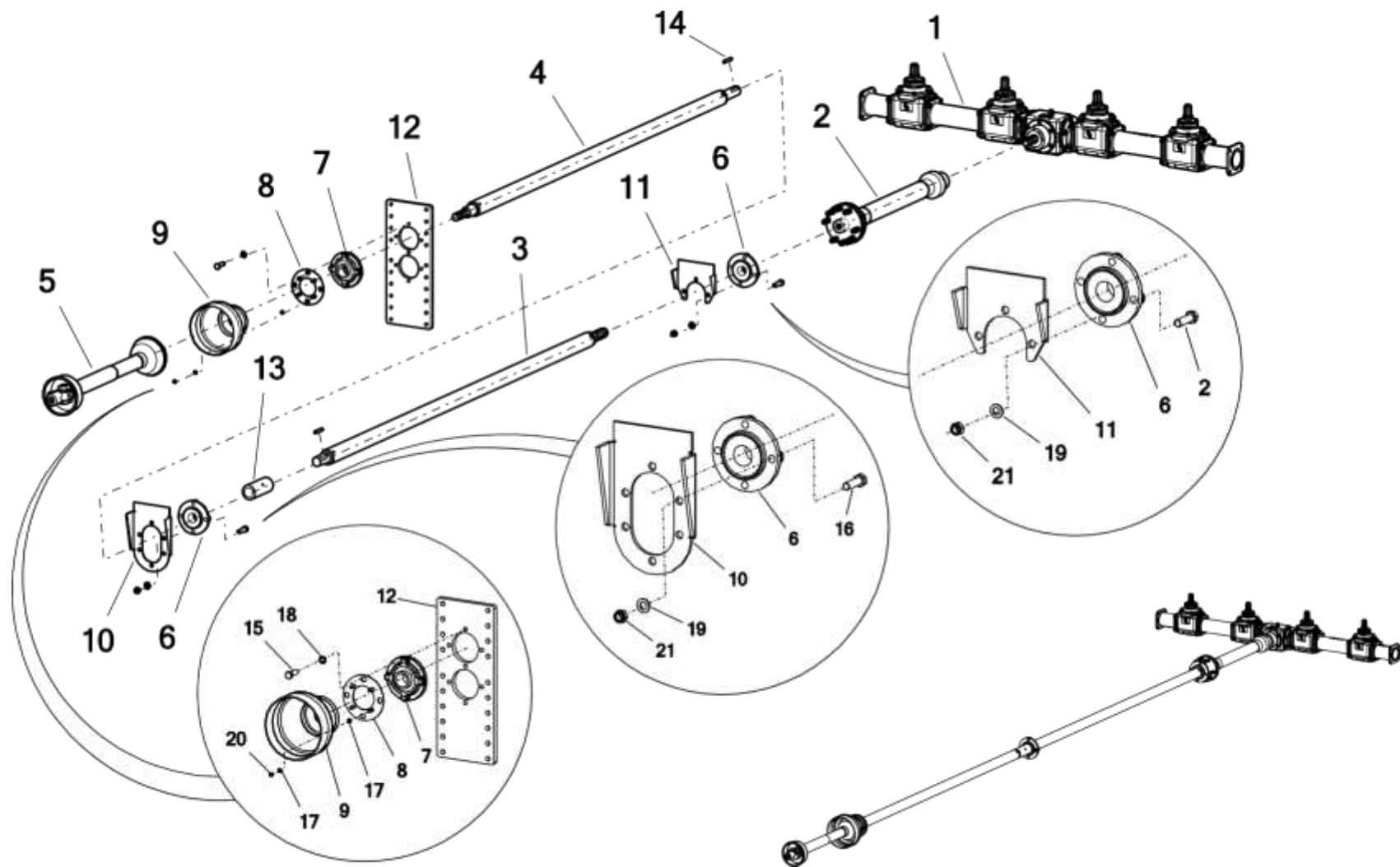
30. SYNCHRONISER SHAFT, COMPLETE



30. SYNCHRONISER SHAFT, COMPLETE

No.	Part or assembly name	Fig. or index No.			
		N272/1	Number	N272/2	Number
1	Body	N272-1 03.01.00.6	1	N272 03.01.00.6	1
2	Bearing unit UCFL206	25L206UCFL	2	25L206UCFL	2
3	Synchroniser shaft	N272 14.01.00	1	N272 14.01.00	1
4	Deadbolt set	N272 04.03.00	1	N272 04.03.00	1
5	Bolt 12 x 40 galv. 10.9 82105	POD-ELZ-000421	4	POD-ELZ-000421	4
6	Round washer 12 galv., 82005	23P12OC	8	23P12OC	8
7	Self locking nut M12 galv., 82175 8 82175 8	23NS12OC	4	23NS12OC	4

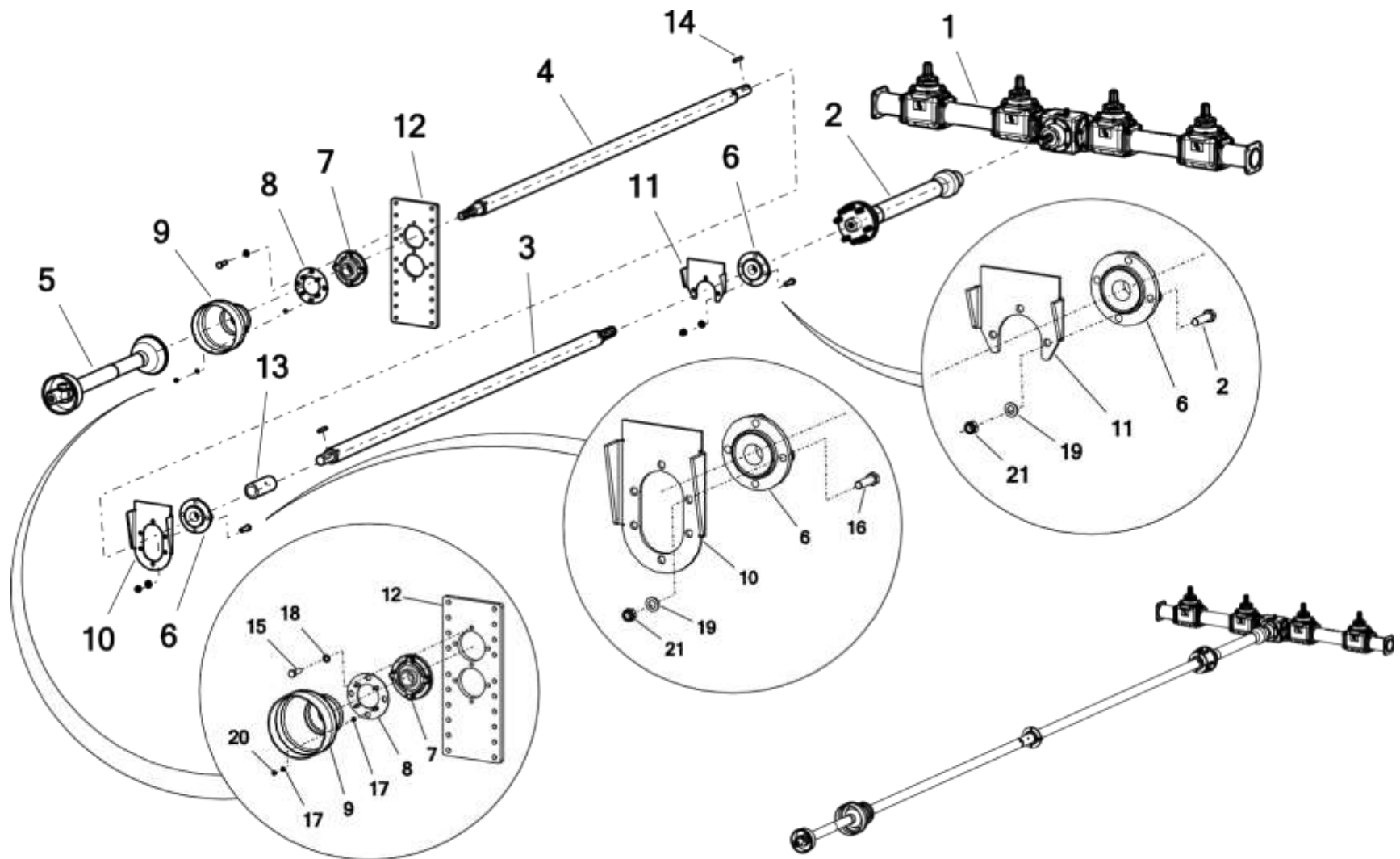
31. DRIVE SYSTEM OF THE 4-ROTOR VERTICAL ADAPTER



31. DRIVE SYSTEM OF THE 4-ROTOR VERTICAL ADAPTER

No.	Part or assembly name	Fig. or index No.			
		N272/1	Number	N272/2	Number
1	Gearbox PRK-051-01.1AAAA.R1 - complete	POD-WPS-000208	1	POD-WPS-000208	1
2	Articulated shaft 610432/602.C603E/5NW 1300 Nm L= 610/945 1.3/4, coupling: 1.3/8 Z6	POD-WPS-000059	1	POD-WPS-000059	1
3	Rear roller (II)	N272 01.03.20.2	1	N272 01.03.20.2	1
4	Rear roller (I)	N272 01.03.10.2	1	N272 01.03.10.2	1
5	Articulated shaft 680950/802.K68-1/5NW 2700 Nm L=810/1215 M10 1.3/8 Z6	POD-WPS-000261	1	POD-WPS-000261	1
5**	Wide-angle articulated shaft 680660/S802.K68-1/5NW 2700 Nm L=860/1445 1 3/8" Z6	POD-WPS-000229	1	POD-WPS-000229	1
6	Bearing unit 210UCFC	25L210UCFC	2	25L210UCFC	2
7	Bearing unit UCFC209	25L209UCFC	1	25L209UCFC	1
8	Guard mounting	N272 01.03.30	1	N272 01.03.30	1
9	Guard with inspection hole	POD-TSZ-000204	1	POD-TSZ-000204	1
10*	Bearing support I	N272 01.00.06.1	1	N272 01.00.06.1	1
11*	Bearing metal sheet II	N272 01.00.21.1	1	N272 01.00.21.1	1
12*	Hitch holder	N272 01.00.04.2	1	N272 01.00.04.2	1
13	Coupling bushing	N267 02.04.06 POD-EOS-000293	1	N267 02.04.06 POD-EOS-000293	1
14	Key 12 x 8 x 70 DIN 6885A	POD-ELZ-000433	2	POD-ELZ-000433	2

31. DRIVE SYSTEM OF THE 4-ROTOR VERTICAL ADAPTER



31. DRIVE SYSTEM OF THE 4-ROTOR VERTICAL ADAPTER

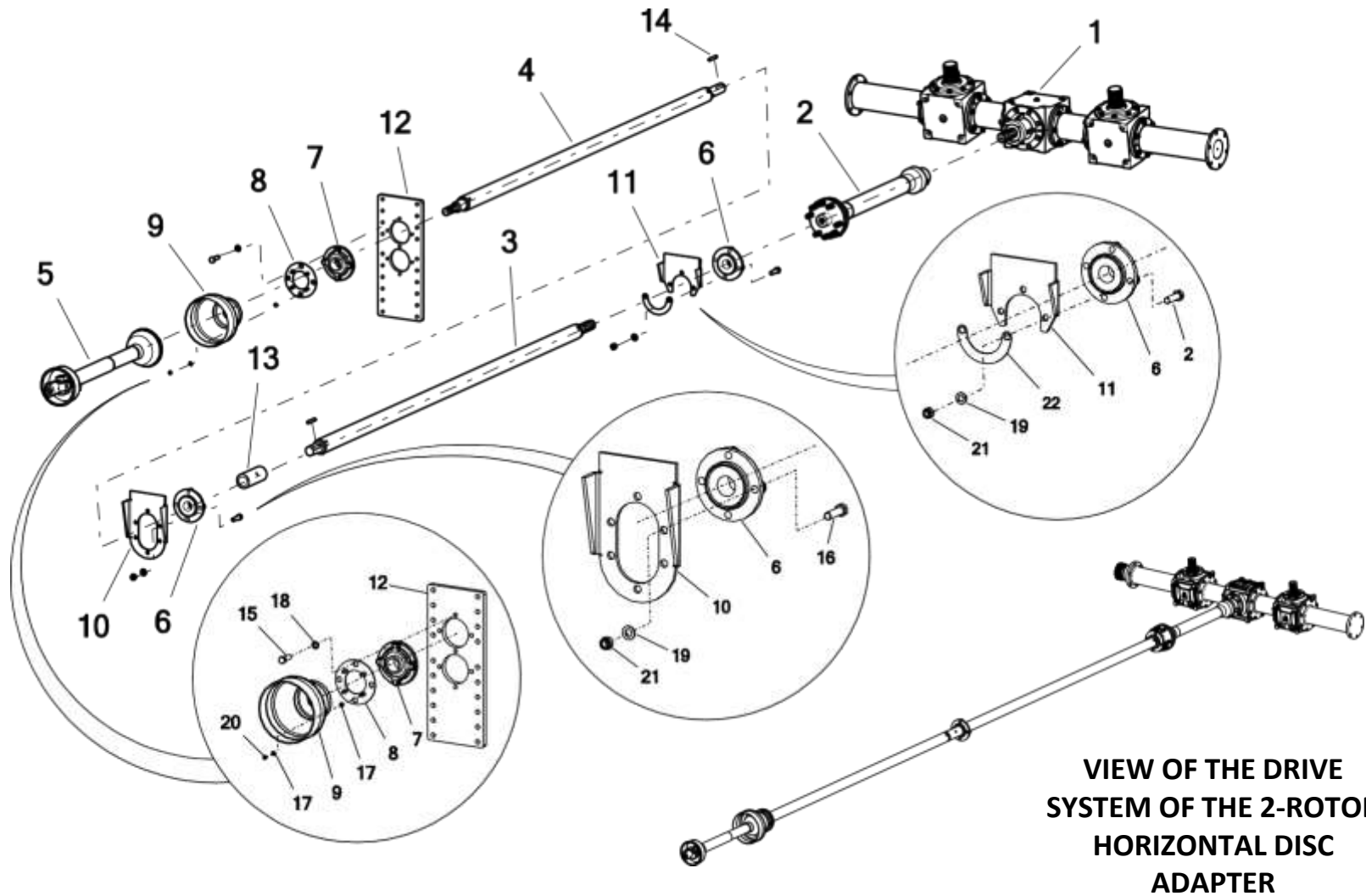
No.	Part or assembly name	Fig. or index No.			
		N272/1	Number	N272/2	Number
15	Bolt 16 x 50 galv. 8.8 82105 82105	23S16/50OC 8.8	4	23S16/50OC 8.8	4
16	Bolt 16 x 55 galv. 8.8 82105 82105	23S16/55OC	8	23S16/55OC	8
17	Round washer 8 galv., 82005 82005	23P8OOC	8	23P8OOC	8
18	Spring washer 16.3 galv., 82008 82008	23P16SP	4	23P16SP	4
19	Round washer 16 galv., 82005 82005	23P16OOC	8	23P16OOC	8
20	Self-locking nut M8, galv., 82175 8 82175 8	23NS8OC	4	23NS8OC	4
21	Self locking nut M16 galv., 82175 8 82175 8	23NS16OC	8	23NS16OC	8

Key:

5** - optional equipment

10* - 12* - inseparable parts of the bottom frame - **N272 01.00.00.1**

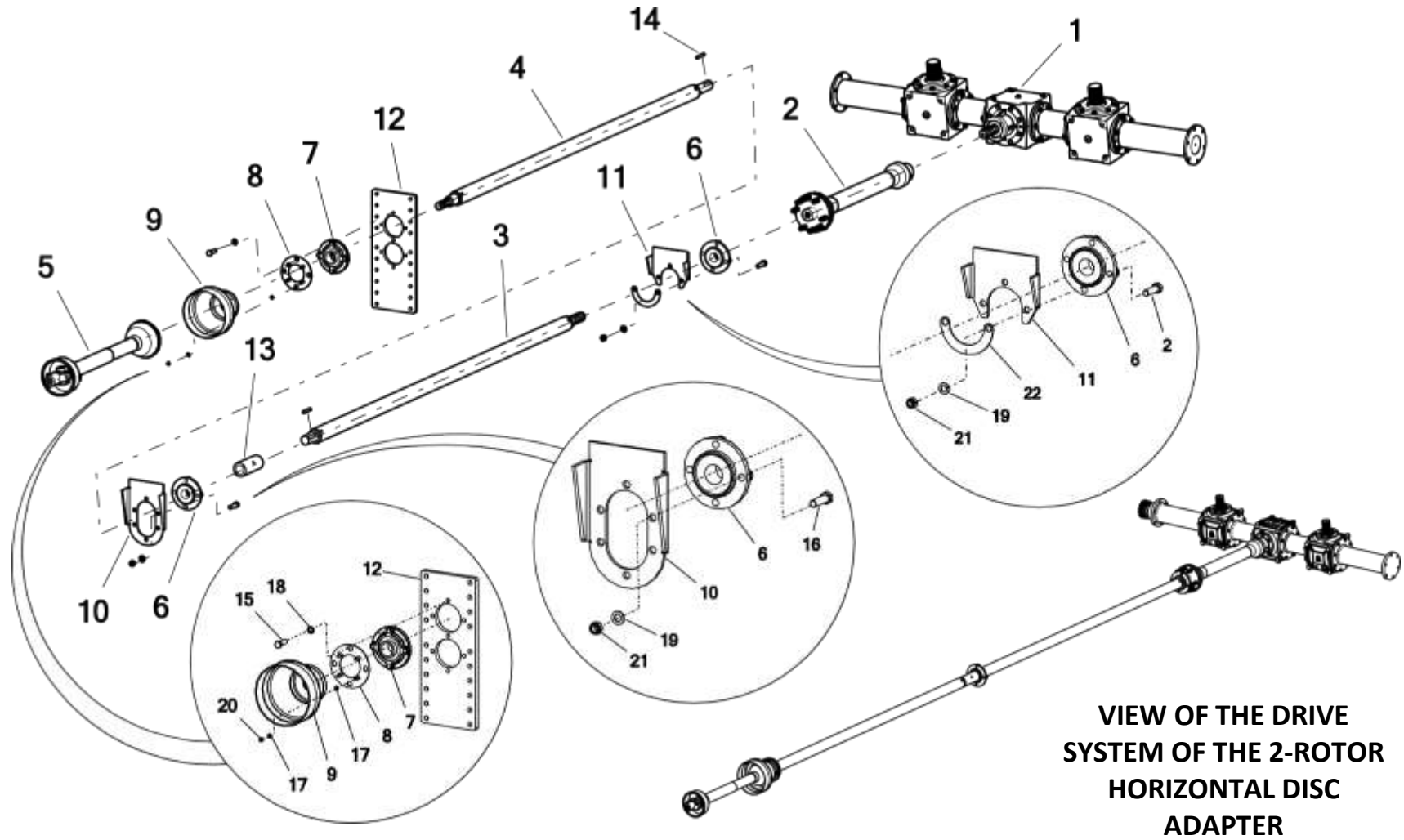
32. DRIVE SYSTEM OF THE 2-ROTOR VERTICAL AND HORIZONTAL DISC ADAPTER – N272 01.03.00.1



32. DRIVE SYSTEM OF THE 2-ROTOR VERTICAL AND HORIZONTAL DISC ADAPTER – N272 01.03.00.1

No.	Part or assembly name	Fig. or index No.			
		N272/1	Number	N272/2	Number
1	Gearbox MB10.04 L-2000 mm (2-rotor vertical adapter)	POD-WPS-000121	1	POD-WPS-000121	1
	Gearbox MB10.18, complete (horizontal disc adapter)	POD-WPS-000190	1	POD-WPS-000190	1
2	Articulated shaft 680440/804. C6803A/5NW 1300 Nm L = 710/1110 1.3/4 Z6 (2-rotor vertical adapter)	POD-WPS-000144	1	POD-WPS-000144	1
	Articulated shaft 680450/804.C6803A/5NW 1300 Nm L = 810/1310 mm 1 3/4 Z6 (horizontal disc adapter)	POD-WPS-000193	1	POD-WPS-000193	1
3	Rear roller (II)	N272 01.03.20.2	1	N272 01.03.20.2	1
4	Rear roller (I)	N272 01.03.10.2	1	N272 01.03.10.2	1
5	Articulated shaft 680950/802.K68-1/5NW 2700 Nm L=810/1215 M10 1.3/8 Z6	POD-WPS-000261	1	POD-WPS-000261	1
5**	Wide-angle articulated shaft 680660/S802.K68-1/5NW 2700 Nm L=860/1445 1 3/8" Z6	POD-WPS-000229	1	POD-WPS-000229	1
6	Bearing unit 210UCFC	25L210UCFC	2	25L210UCFC	2
7	Bearing unit UCFC209	25L209UCFC	1	25L209UCFC	1
8	Guard mounting	N272 01.03.30	1	N272 01.03.30	1
9	Guard with inspection hole	POD-TSZ-000204	1	POD-TSZ-000204	1

32. DRIVE SYSTEM OF THE 2-ROTOR VERTICAL AND HORIZONTAL DISC ADAPTER – N272 01.03.00.1



32. DRIVE SYSTEM OF THE 2-ROTOR VERTICAL AND HORIZONTAL DISC ADAPTER – N272 01.03.00.1

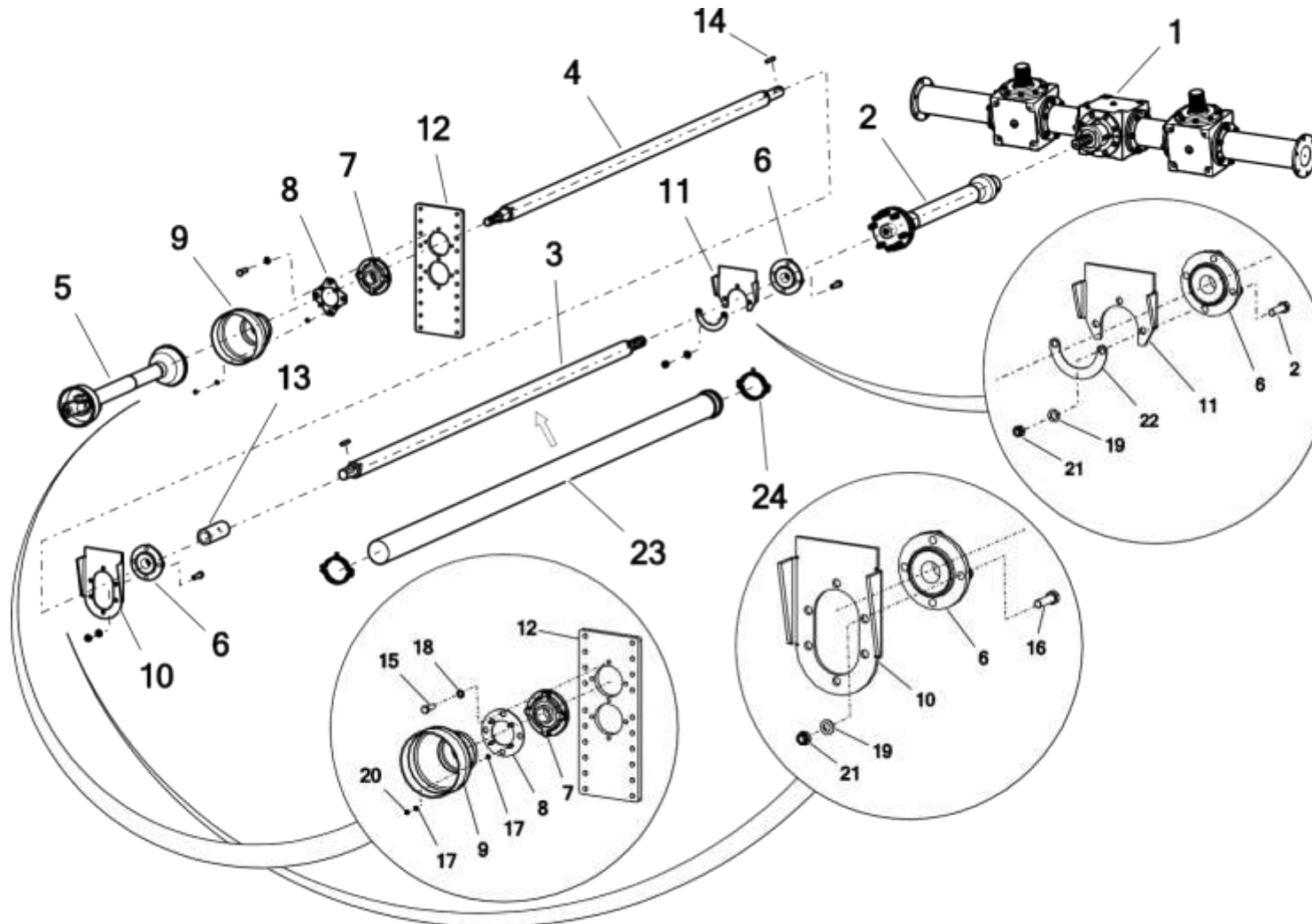
No.	Part or assembly name	Fig. or index No.			
		N272/1	Number	N272/2	Number
10*	Bearing support I	N272 01.00.06.1	1	N272 01.00.06.1	1
11*	Bearing metal sheet II	N272 01.00.21.1	1	N272 01.00.21.1	1
12*	Hitch holder	N272 01.00.04.2	1	N272 01.00.04.2	1
13	Coupling bushing	N267 02.04.06 POD-EOS-000293	1	N267 02.04.06 POD-EOS-000293	1
14	Key 12 x 8 x 70 DIN 6885A	POD-ELZ-000433	2	POD-ELZ-000433	2
15	Bolt 16 x 50 galv. 8.8 82105 82105	23S16/50OC 8.8	4	23S16/50OC 8.8	4
16	Bolt 16 x 55 galv. 8.8 82105 82105	23S16/55OC	8	23S16/55OC	8
17	Round washer 8 galv., 82005 82005	23P8OOC	8	23P8OOC	8
18	Spring washer 16.3 galv., 82008 82008	23P16SP	4	23P16SP	4
19	Round washer 16 galv., 82005 82005	23P16OOC	8	23P16OOC	8
20	Self-locking nut M8, galv., 82175 8	23NS8OC	4	23NS8OC	4
21	Self locking nut M16, galv., 82175 8	23NS16OC	8	23NS16OC	8
22	Lower shaft protection	N272 01.03.41	1	N272 01.03.41	1

Key:

5** - optional equipment

10* - 12* - inseparable parts of the bottom frame - **N272 01.00.00.1**

33. DRIVE SYSTEM OF THE 2-ROTOR VERTICAL AND HORIZONTAL DISC ADAPTER – N272 01.03.00.2



33. DRIVE SYSTEM OF THE 2-ROTOR VERTICAL AND HORIZONTAL DISC ADAPTER – N272 01.03.00.2

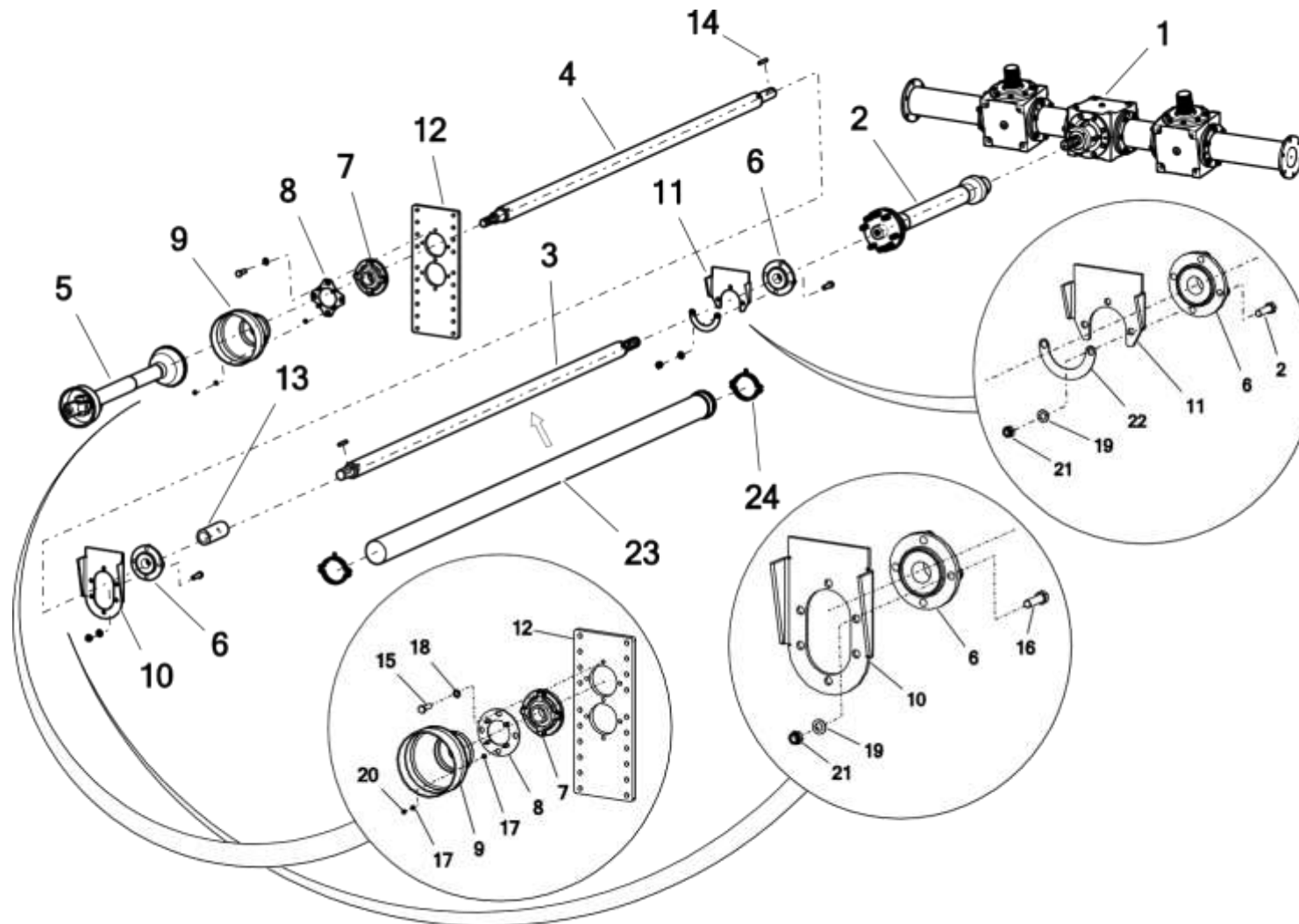
No.	Part or assembly name	Fig. or index No.			
		N272/1	Number	N272/2	Number
1	2-rotor vertical adapter gear (L-2000; 1000 rpm) SV2 2000 Grazioli – painted – vertical adapter	PA08 00.00.00	1	PA08 00.00.00	1
	SV2 2000 Grazioli gearbox	POD-WPS-000266	1	POD-WPS-000266	1
1*	Horizontal adapter gearbox (L-2000; 1000 rpm) SO 2000 Grazioli – painted	PA09 00.00.00	1	PA09 00.00.00	1
	SO 2000 Grazioli gearbox – horizontal adapter	POD-WPS-000318	1	POD-WPS-000318	1
1**	Gearbox MB10.04 L-2000 mm (2-rotor vertical adapter)	POD-WPS-000121	1	POD-WPS-000121	1
	Gearbox MB10.18, complete (horizontal disc adapter)	POD-WPS-000190	1	POD-WPS-000190	1
2	articulated shaft 8SN1071004CEX 2400 Nm L=710/1041 1.3/4 Z6 1.3/4 Z6 J (2-rotor vertical adapter)	POD-WPS-000510	1	POD-WPS-000510	1
	articulated shaft 8SN1081004CEX 2400 Nm L=810/1141 1.3/4 Z6 1.3/4 Z6 J (horizontal disc adapter)	POD-WPS-000511	1	POD-WPS-000511	1
3	Rear roller (II)	N272 01.03.20.2	1	N272 01.03.20.2	1
4	Rear roller (I)	N272 01.03.10.3	1	N272 01.03.10.3	1

Key:

1* – horizontal adapter gearbox

1** – optional equipment – replacement

33. DRIVE SYSTEM OF THE 2-ROTOR VERTICAL AND HORIZONTAL DISC ADAPTER – N272 01.03.00.2



33. DRIVE SYSTEM OF THE 2-ROTOR VERTICAL AND HORIZONTAL DISC ADAPTER – N272 01.03.00.2

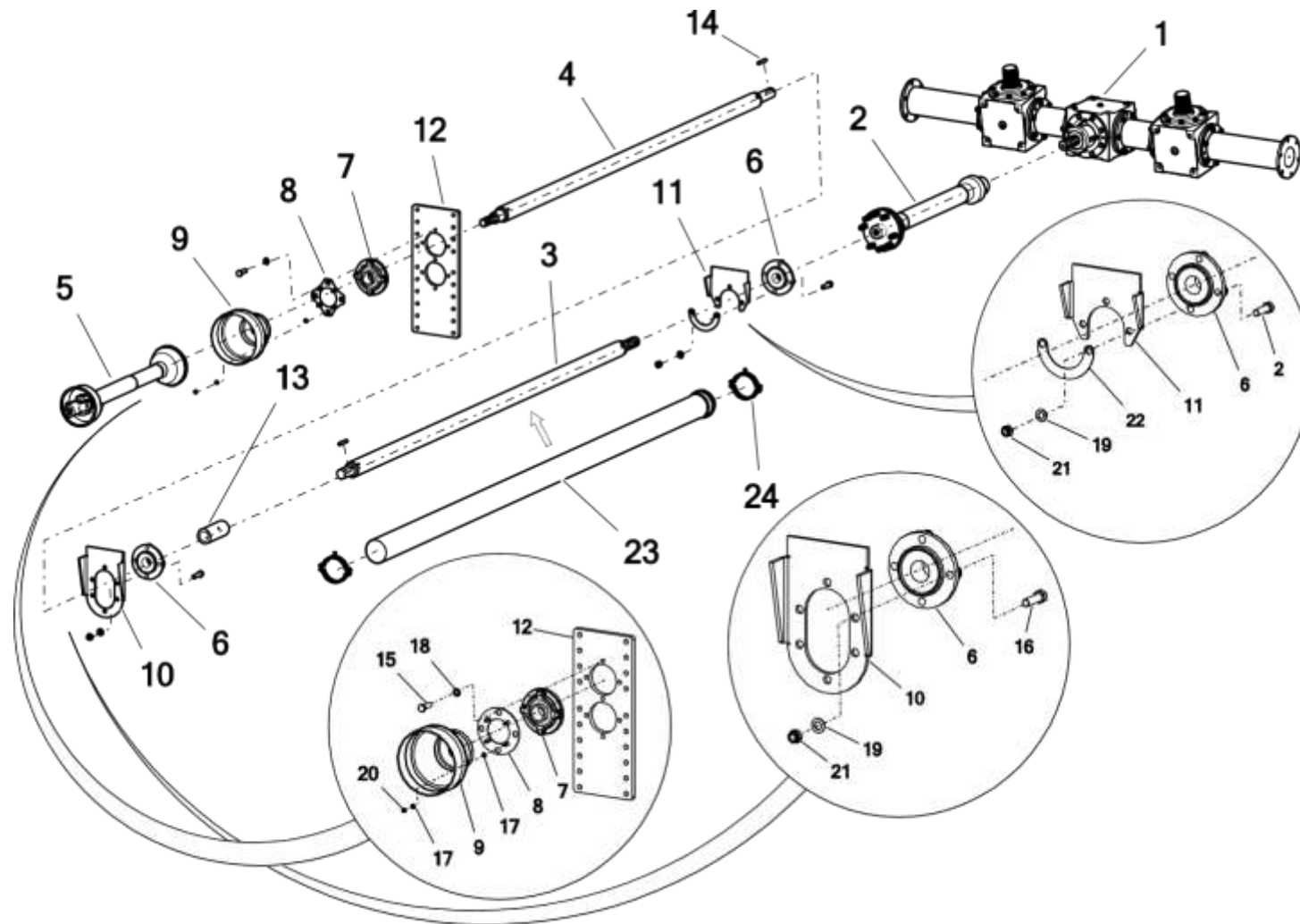
No.	Part or assembly name	Fig. or index No.			
		N272/1	Number	N272/2	Number
5	Wide-angle articulated shaft 8OM2P1050I804CE 1800Nm L = 1050/1444 1.3/8 Z6 1.3/4 Z6	POD-WPS-000509	1	POD-WPS-000509	1
5**	Wide-angle articulated shaft 8OM2P0950FR3421 2100 Nm L = 950/1418 1.3/8 Z6 1.3/4 Z6 SPA	POD-WPS-000508	1	POD-WPS-000508	1
6	Bearing unit 210UCFC	25L210UCFC	2	25L210UCFC	2
7	Bearing unit UCFC209	25L209UCFC	1	25L209UCFC	1
8	Guard mounting	N272 01.03.30	1	N272 01.03.30	1
9	Guard with inspection hole	POD-TSZ-000204	1	POD-TSZ-000204	1
10*	Bearing support I	N272 01.00.06.1	1	N272 01.00.06.1	1
11*	Bearing metal sheet II	N272 01.00.21.1	1	N272 01.00.21.1	1
12*	Hitch holder	N272 01.00.04.2	1	N272 01.00.04.2	1

Key:

5** - optional equipment

10* - 12* - inseparable parts of the bottom frame - **N272 01.00.00.1**

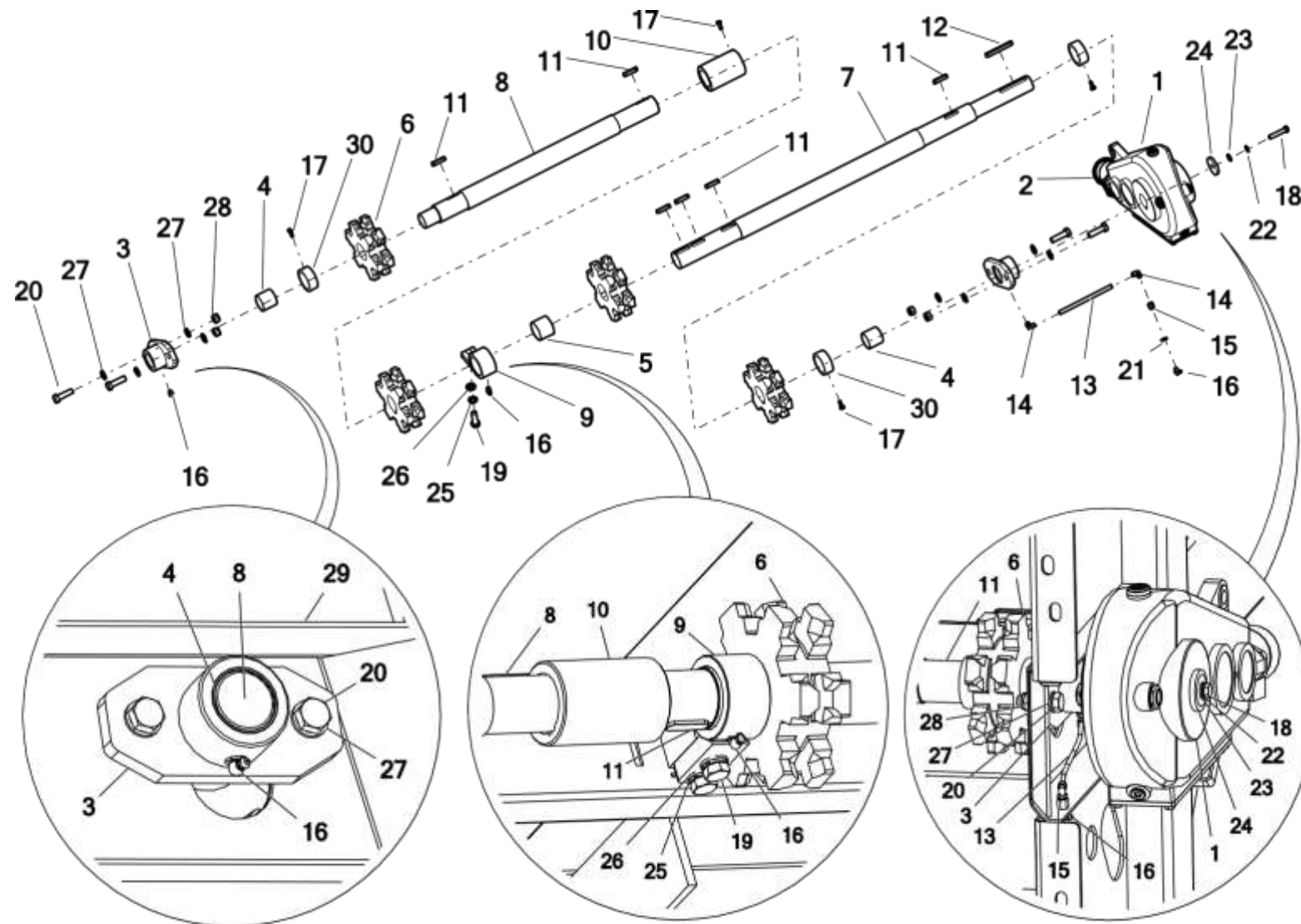
33. DRIVE SYSTEM OF THE 2-ROTOR VERTICAL AND HORIZONTAL DISC ADAPTER – N272 01.03.00.2



33. DRIVE SYSTEM OF THE 2-ROTOR VERTICAL AND HORIZONTAL DISC ADAPTER – N272 01.03.00.2

No.	Part or assembly name	Fig. or index No.			
		N272/1	Number	N272/2	Number
13	Coupling bushing	N267 02.04.06 POD-EOS-000293	1	N267 02.04.06 POD-EOS-000293	1
14	Key 12 x 8 x 70 DIN 6885A	POD-ELZ-000433	2	POD-ELZ-000433	2
15	Bolt 16 x 50 galv. 8.8 82105 82105	23S16/50OC 8.8	4	23S16/50OC 8.8	4
16	Bolt 16 x 55 galv. 8.8 82105 82105	23S16/55OC	8	23S16/55OC	8
17	Round washer 8 galv., 82005 82005	23P8OOC	8	23P8OOC	8
18	Spring washer 16.3 galv., 82008 82008	23P16SP	4	23P16SP	4
19	Round washer 16 galv., 82005 82005	23P16OOC	8	23P16OOC	8
20	Self-locking nut M8, galv., 82175 8	23NS8OC	4	23NS8OC	4
21	Self locking nut M16, galv., 82175 8	23NS16OC	8	23NS16OC	8
23	PVC pipe 110 dia. 3m, L 2600 mm	POD-OGL-001478	1	POD-OGL-001478	1
24	PVC pipe clamp 107 mm-115 mm	POD-OGL-001477	2	POD-OGL-001477	2

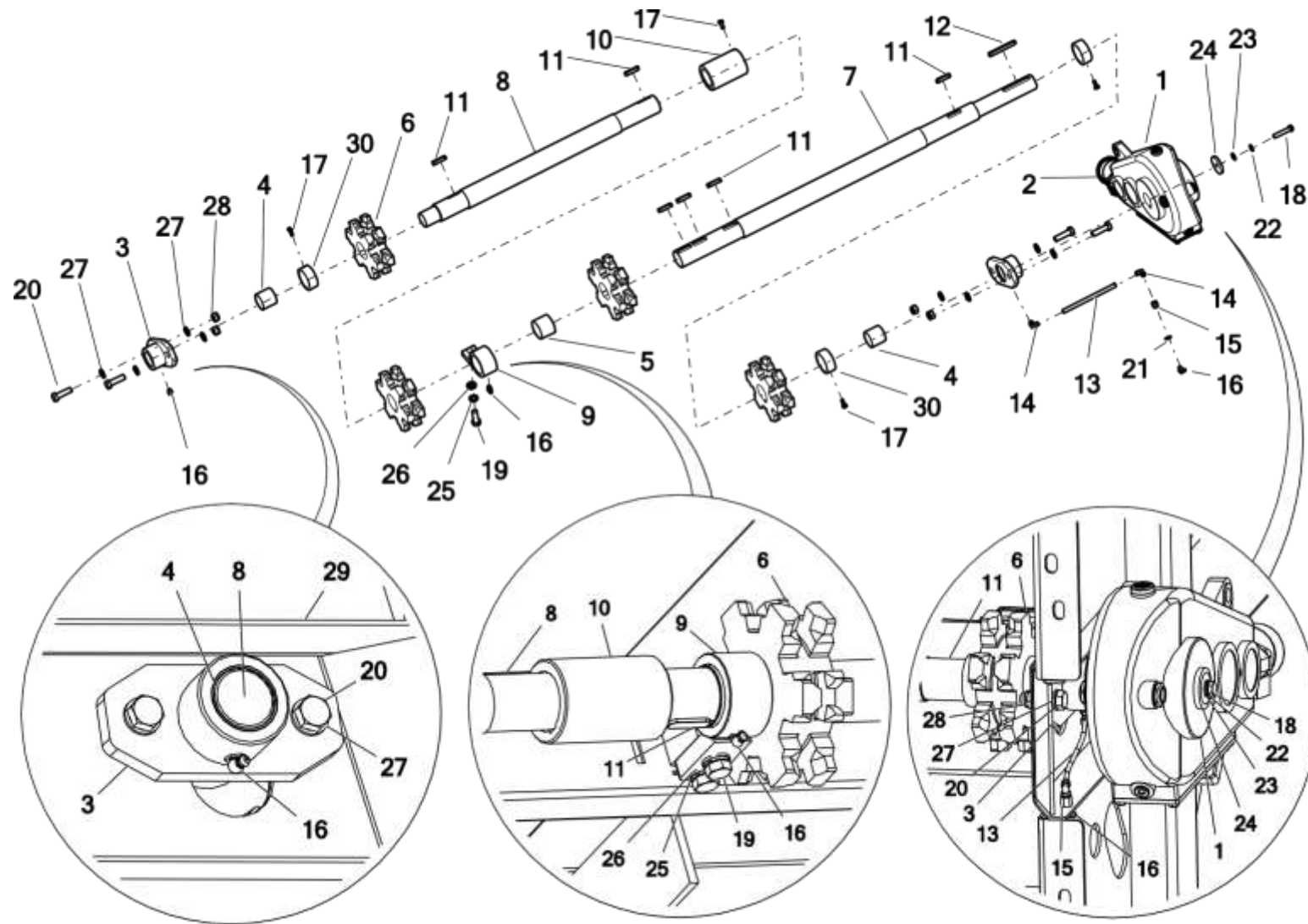
34. REAR SHAFT



34. REAR SHAFT

No.	Part or assembly name	Fig. or index No.			
		N272/1	Number	N272/2	Number
1	Side gearbox PRK-550-01- AAB.R1 (N272/3)	POD-WPS-000153	1	POD-WPS-000153	1
2	OMR 200 (BMR) hydraulic motor	24S200	1		1
3	Floor shaft mounting	N272-3 09.07.00	2	N272-3 09.07.00	2
4	Sleeve PAP 5050 P10	POD-LOZ-000256	2	POD-LOZ-000256	2
5	Sleeve PAP 6050 P10	POD-LOZ-000257	1	POD-LOZ-000257	1
6	Viking scraper system chain wheel	POD-EOS-000401	4	POD-EOS-000401	4
7	Rear roller (I)	N272-3 09.01.04.1	1	N272-3 09.01.04.1	1
8	Rear roller (II)	N272-3 09.01.05	1	N272-3 09.01.05	1
9	Shaft mounting	N272-3 09.05.00.1	1	N272-3 09.05.00.1	1
10	Coupling bushing	N272-3 09.01.06	1	N272-3 09.01.06	1
11	Key 14 x 9 x 50	POD-ELZ-000691	6	POD-ELZ-000691	6
12	Key 14 x 9 x 140	POD-ELZ-000692	1	POD-ELZ-000692	1
13	Central lubrication nipple Plastic conduit diam. 6 x 4 PA6	24P6	1	24P6	1
14	Connector 6520-6-1/8 (RL31/C FOX6 1/8)	POD-HKR-000013-1	2	POD-HKR-000013-1	2
15	Lubrication nipple	N267 02.02.114	1	N267 02.02.114	1
16	Lubricating nipple M10 x 1.0 90 angle	23SM10KAT90	3	23SM10KAT90	3

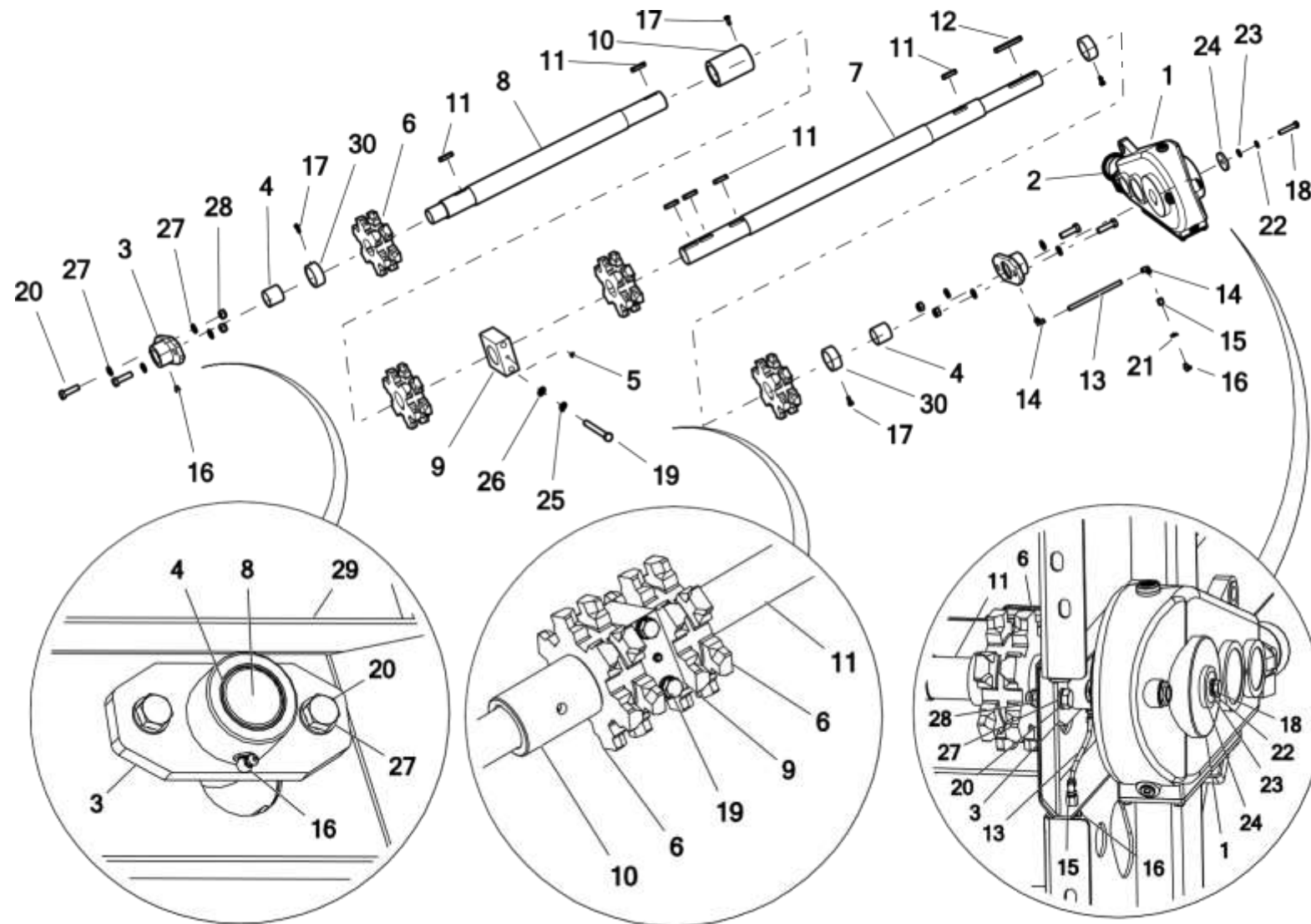
34. REAR SHAFT



34. REAR SHAFT

No.	Part or assembly name	Fig. or index No.			
		N272/1	Number	N272/2	Number
17	Bolt 8 x 20 galv. 8.8 82105 82105	23S8/20OC 8.8	3	23S8/20OC 8.8	3
18	Bolt 12 x 60 galv. 10.9 82101	POD-ELZ-000053-1	1	POD-ELZ-000053-1	1
19	Bolt 16 x 45 galv.10.9 82105	POD-ELZ-000402	2	POD-ELZ-000402	2
20	Bolt 16 x 55 galv., 10.9 82101	POD-ELZ-000418	4	POD-ELZ-000418	4
21	Round washer 10 galv. 82005 82005	23P10 82005	1	23P10 82005	1
22	Spring washer 12 galv., 82008 82008	23P12SP	1	23P12SP	1
23	Round washer 12 galv., 82005	23P12OC	1	23P12OC	1
24	Bearing washer	N272 10.14.05	1	N272 10.14.05	1
25	Spring washer 16.3 galv., 82008 82008	23P16SP	2	23P16SP	2
26	Round washer 16 galv., 82005 82005	23P16OOC	2	23P16OOC	2
27	Round washer 16 galv., 82005 82005	23P16OOC	8	23P16OOC	8
28	Self locking nut M16, galv., 82175 8 82175 8	23NS16OC	4	23NS16OC	4
29	Body	N272-1 03.01.00.6	1	N272 03.01.00.6	1
30	Spacer	N272-3 09.01.07	3	N272-3 09.01.07	3

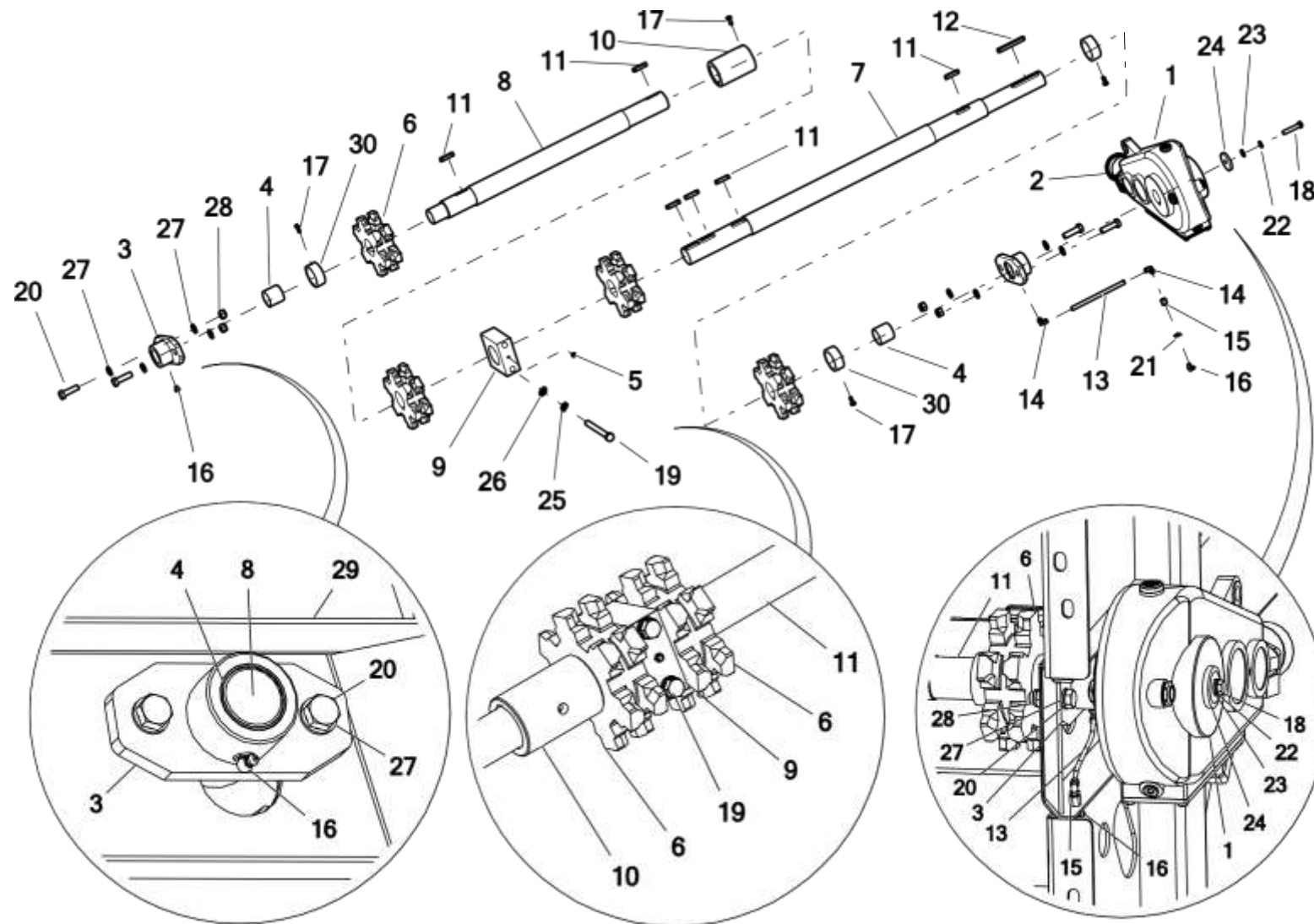
35. REAR SHAFT (2022 version)



35. REAR SHAFT (2022 version)

No.	Part or assembly name	Fig. or index No.			
		N272/1	Number	N272/2	Number
1	Side gearbox PRK-550-01- AAB.R1 (N272/3)	POD-WPS-000153	1	POD-WPS-000153	1
2	OMR 200 (BMR) hydraulic motor	24S200	1		1
3	Floor shaft mounting	N272-3 09.07.00	2	N272-3 09.07.00	2
4	Sleeve PAP 5050 P10	POD-LOZ-000256	2	POD-LOZ-000256	2
5	Lubricating nipple M10 × 1.0 straight	23SM10/1	1	23SM10/1	1
6	Viking scraper system chain wheel	POD-EOS-000401	4	POD-EOS-000401	4
7	Rear roller (I)	N272-3 09.01.04.1	1	N272-3 09.01.04.1	1
8	Rear roller (II)	N272-3 09.01.05	1	N272-3 09.01.05	1
9	Shaft mounting	N272-3 09.05.00.1	1	N272-3 09.05.00.1	1
10	Coupling bushing	N272-3 09.01.06	1	N272-3 09.01.06	1
11	Key 14 x 9 x 50	POD-ELZ-000691	6	POD-ELZ-000691	6
12	Key 14 x 9 x 140	POD-ELZ-000692	1	POD-ELZ-000692	1
13	Central lubrication nipple Plastic conduit diam. 6 x 4 PA6	24P6	1	24P6	1
14	Connector 6520-6-1/8 (RL31/C FOX6 1/8)	POD-HKR-000013-1	2	POD-HKR-000013-1	2
15	Lubrication nipple	N267 02.02.114	1	N267 02.02.114	1
16	Lubricating nipple M10 x 1.0 90 angle	23SM10KAT90	2	23SM10KAT90	2

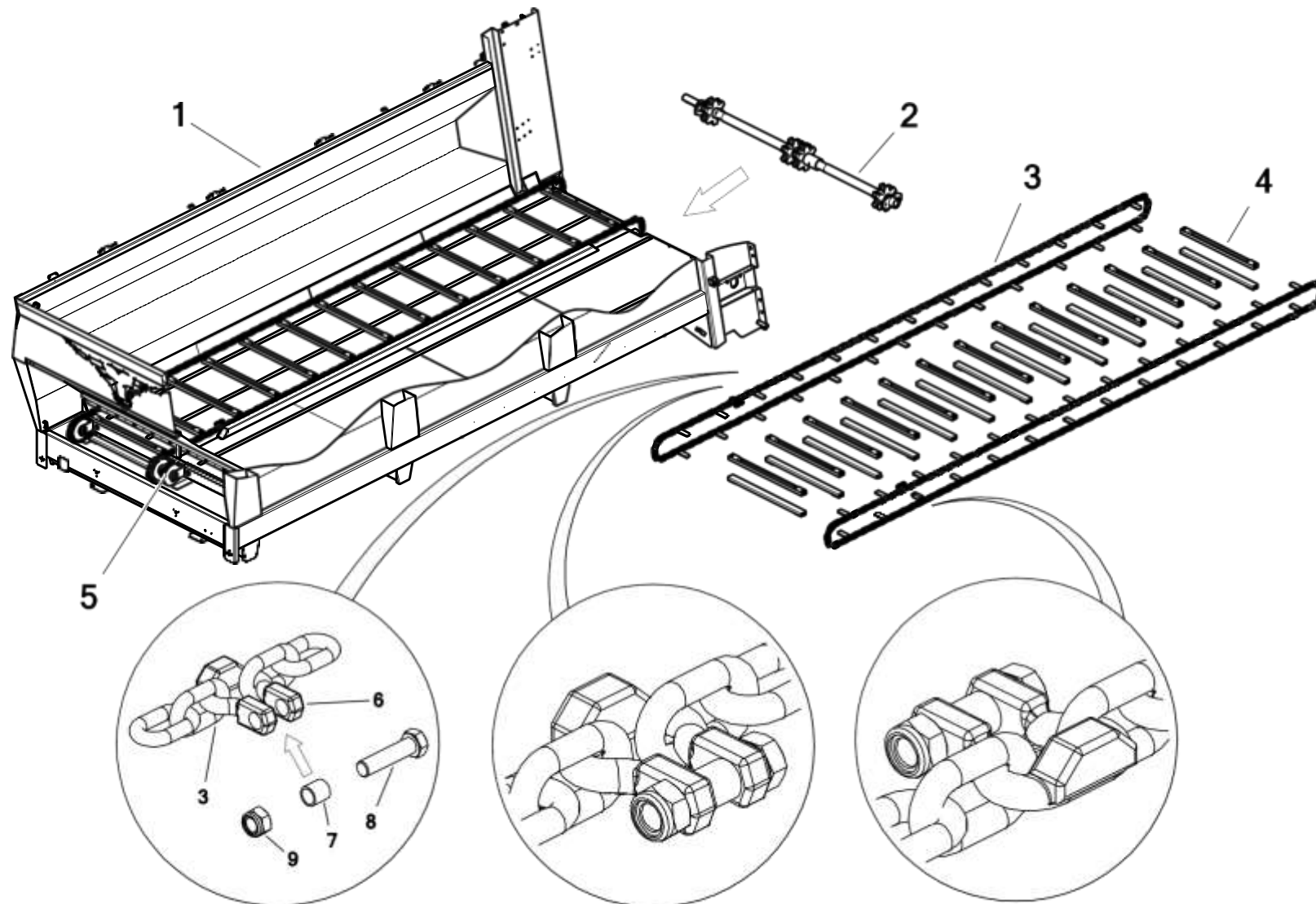
35. REAR SHAFT (2022 version)



35. REAR SHAFT (2022 version)

No.	Part or assembly name	Fig. or index No.			
		N272/1	Number	N272/2	Number
17	Bolt 8 x 20 galv. 8.8 82105 82105	23S8/20OC 8.8	3	23S8/20OC 8.8	3
18	Bolt 12 x 60 galv. 10.9 82101	POD-ELZ-000053-1	1	POD-ELZ-000053-1	1
19	Bolt 16 x 160 galv. 8.8 82101	POD-ELZ-000744	2	POD-ELZ-000744	2
20	Bolt 16 x 55 galv., 10.9 82101	POD-ELZ-000418	4	POD-ELZ-000418	4
21	Round washer 10 galv. 82005 82005	23P10 82005	1	23P10 82005	1
22	Spring washer 12 galv., 82008 82008	23P12SP	1	23P12SP	1
23	Round washer 12 galv., 82005	23P12OC	1	23P12OC	1
24	Bearing washer	N272 10.14.05	1	N272 10.14.05	1
25	Spring washer 16.3 galv., 82008 82008	23P16SP	2	23P16SP	2
26	Round washer 16 galv., 82005 82005	23P16OOC	2	23P16OOC	2
27	Round washer 16 galv., 82005 82005	23P16OOC	8	23P16OOC	8
28	Self locking nut M16, galv., 82175 8 82175 8	23NS16OC	4	23NS16OC	4
29	Body	N272-1 03.01.00.6	1	N272 03.01.00.6	1
30	Spacer	N272-3 09.01.07	3	N272-3 09.01.07	3

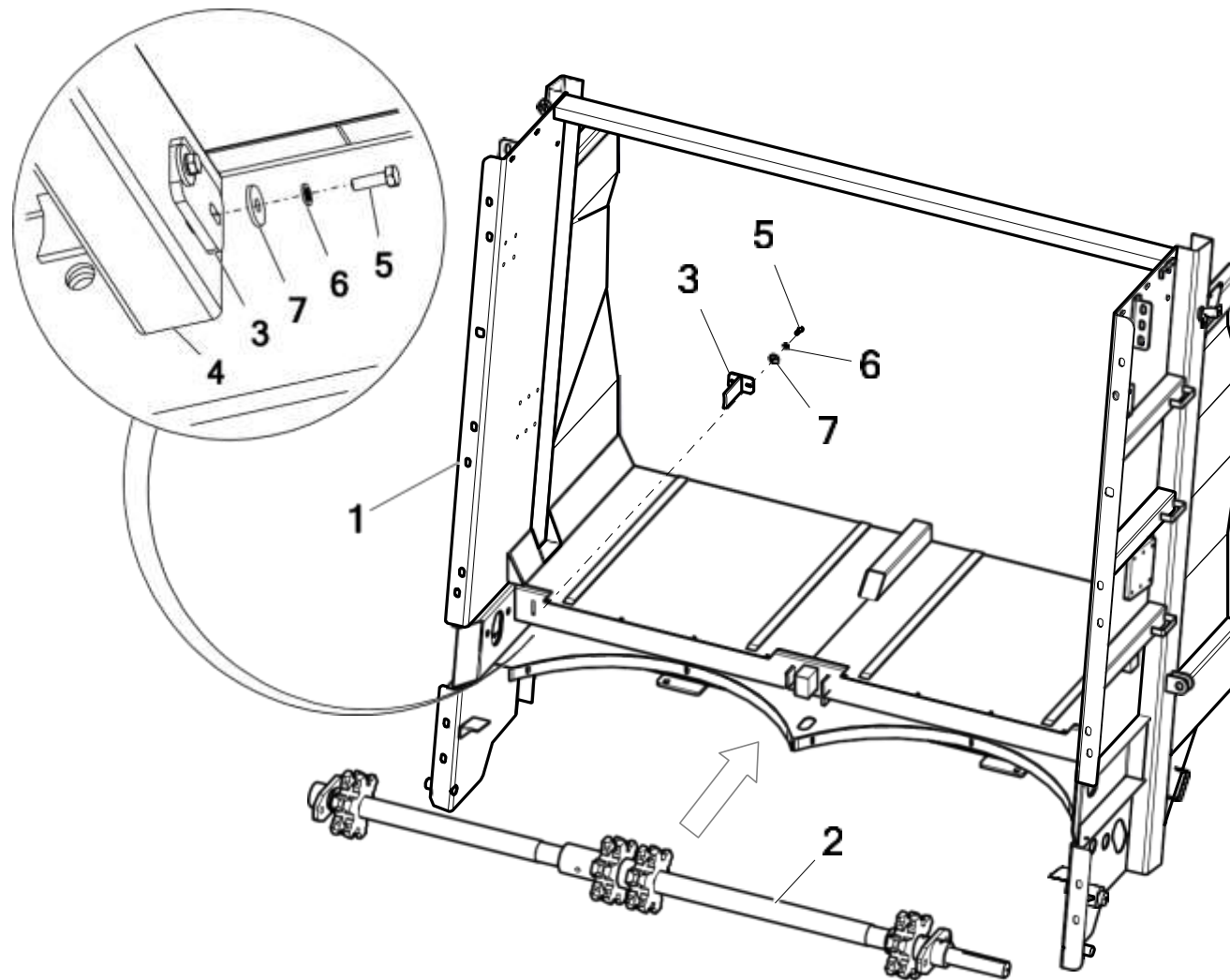
36. FLOOR CONVEYOR



36. FLOOR CONVEYOR

No.	Part or assembly name	Fig. or index No.			
		N272/1	Number	N272/2	Number
1	Body	N272-1 03.01.00.6	1	N272 03.01.00.6	1
2	Drive shaft, complete	N272-3 09.01.00.1	1	N272-3 09.01.00.1	1
3	Floor conveyor chain (10.5 m)	N272-3 09.02.00	4		
4	Conveyor bar, complete	N272-3 09.06.00.1	54	N272-3 09.06.00.1	54
5	Tensioner roller, complete	N272-3 09.09.03	4	N272-3 09.09.03	4
6	Chain connector NK14 - forging	N272-3 09.10.00	4	N272-3 09.10.00	4
7	Chain connector spacer	N272-3 09.11.01	4	N272-3 09.11.01	4
8	Bolt 16 x 65 galv. 10.9 82101	POD-ELZ-000832	4	POD-ELZ-000832	4
9	Self locking nut M16, galv., 82175 8 82175 8	23NS16OC	4	23NS16OC	4

37. REAR SCRAPER



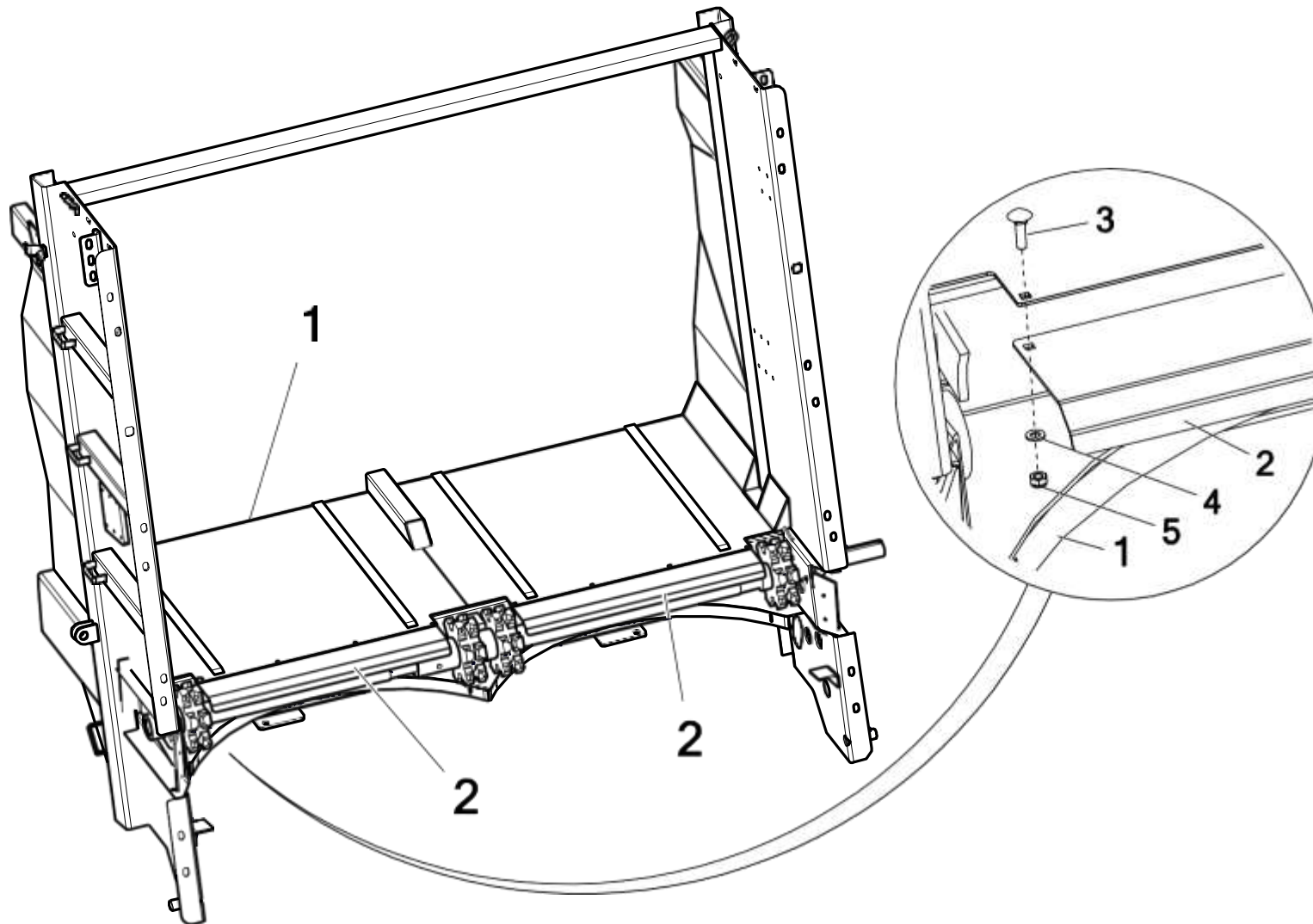
37. REAR SCRAPER

No.	Part or assembly name	Fig. or index No.			
		N272/1	Number	N272/2	Number
1	Body	N272-1 03.01.00.6	1	N272 03.01.00.6	1
2	Floor drive shaft	N272-3 09.01.00.1	1	N272-3 09.01.00.1	1
3	Rear scraper	N272-3 09.08.00	4	N272-3 09.08.00	4
4*	Floor profile	N272-3 03.01.71	1	N272-3 03.01.71	1
5	Bolt 8 x 25 galv., 8.8 82105 82105	23S8/25OC8.8	8	23S8/25OC8.8	8
6	Spring washer 8.2 galv., 82008 82008	23P8SPOC	8	23P8SPOC	8
7	Round washer 8 galv., coated 82019	23P8 82019OC	8	23P8 82019OC	8

Key:

4* – inseparable part of body – **N272-1 03.01.00.6, N272 03.01.00.6**

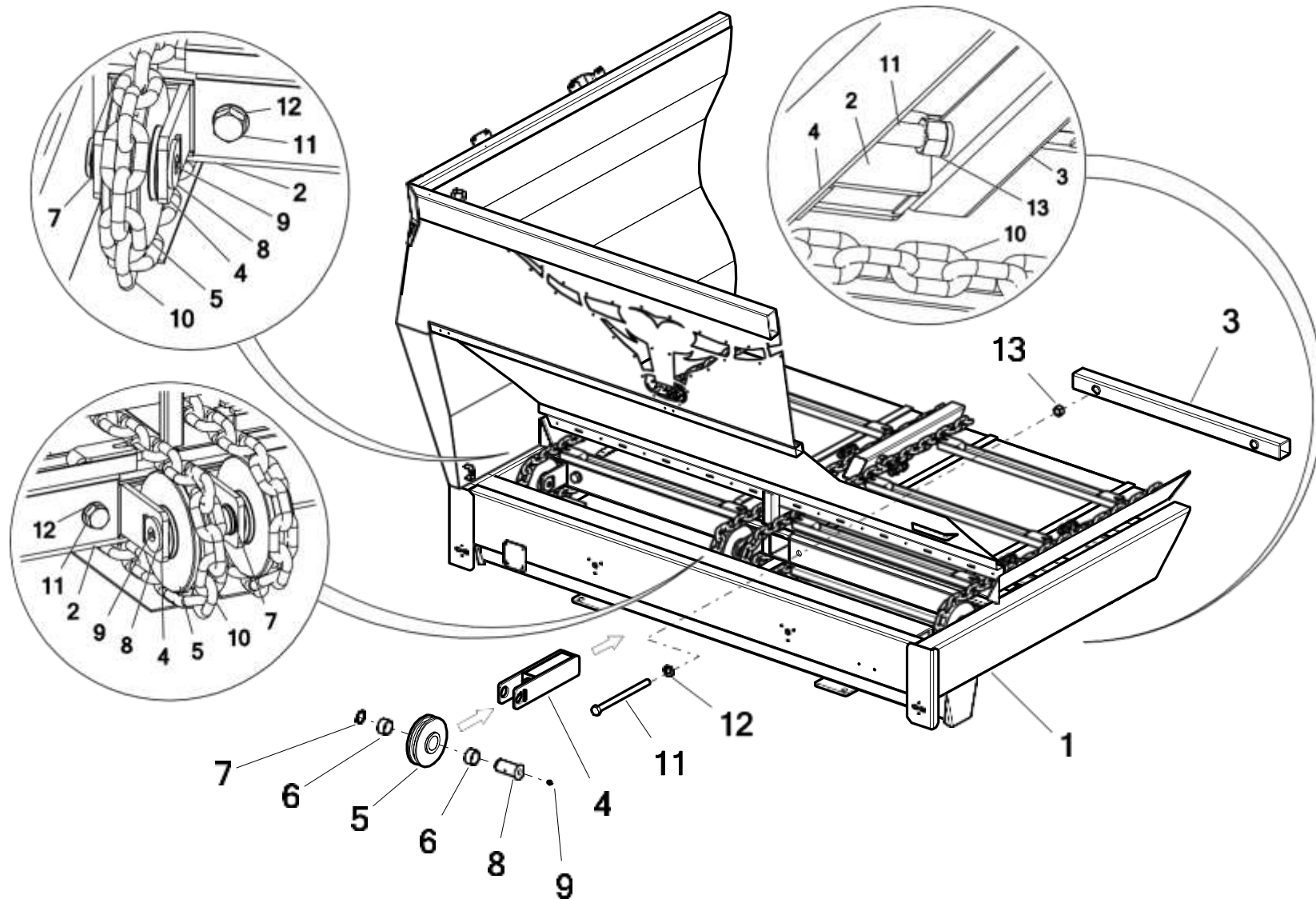
38. REAR SHAFT COVER



38. REAR SHAFT COVER

No.	Part or assembly name	Fig. or index No.			
		N272/1	Number	N272/2	Number
1	Body	N272-1 03.01.00.6	1	N272 03.01.00.6	1
2	Shaft shield	N272-3 03.37.01.1	2	N272-3 03.37.01.1	2
3	Carriage bolt 8 x 30 galv..8,8	23S8/30P	8		
4	Round washer 8 galv., 82005 82005	23P8OOC	8	23P8OOC	8
5	Self-locking nut M8, galv., 82175 8 82175 8	23NS8OC	8	23NS8OC	8

39. TENSIONER, COMPLETE WITH A ROLL



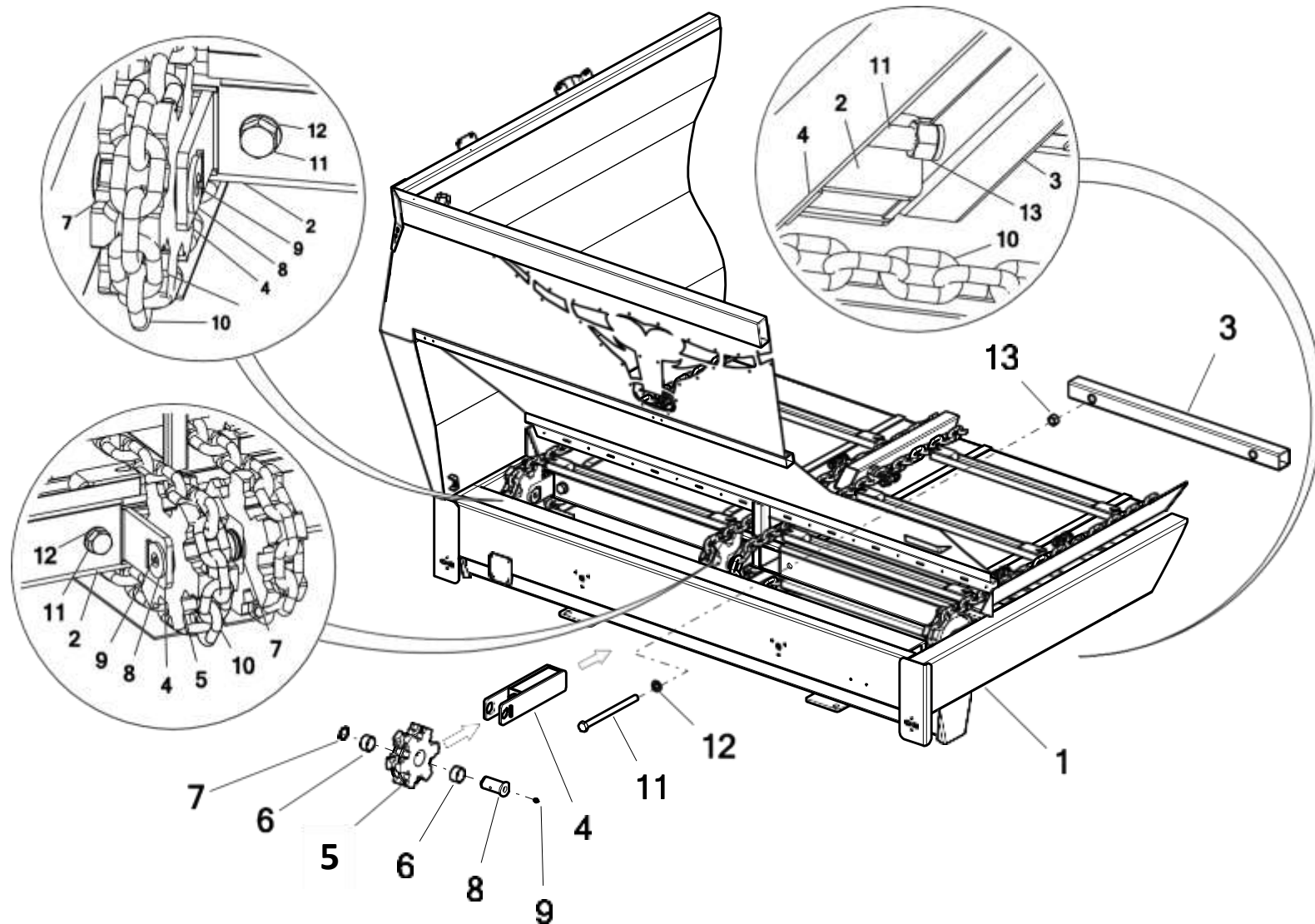
39. TENSIONER, COMPLETE WITH A ROLL

No.	Part or assembly name	Fig. or index No.			
		N272/1	Number	N272/2	Number
1	Body	N272-1 03.01.00.5	1	N272 03.01.00.6	1
2*	Tensioner bar	N272-3 03.01.72	1	N272-3 03.01.72	1
3	Clamp, complete	N272-3 09.04.00	2	N272-3 09.04.00	2
4	Chain tension	N272-3 09.03.00.1	4	N272-3 09.03.00.1	4
5	Tensioner roller, complete	N272-3 09.09.03	4	N272-3 09.09.03	4
6	Self-lubricating sleeve 40H8/50R7 x 25	25T40/50/25	8	25T40/50/25	8
7	Circlip Z40	23SZ40	4	23SZ40	4
8	Chain wheel pin	N272 09.00.07	4	N272 09.00.07	4
9	Lubricating nipple M8 x 1.0 straight	23SM8	4	23SM8	4
10	Floor conveyor chain	N272-3 09.02.00	4	N272-3 09.02.00	4
11	Bolt 20 x 280 galv. 8.8 82105	POD-ELZ-000838	4	POD-ELZ-000838	4
12	Round washer 20 galv., 82005 82005	23P20OOC	4	23P20OOC	4
13	Nut M20 galv. 8.8 DIN934 8 DIN934 8	23N M20 CL.8 DIN934OC	4	23N M20 CL.8 DIN934OC	4

Key:

2* – inseparable part of the body – **N272-1 03.01.00.5, N272 03.01.00.6**

40. TENSIONER, COMPLETE WITH A GEAR WHEEL



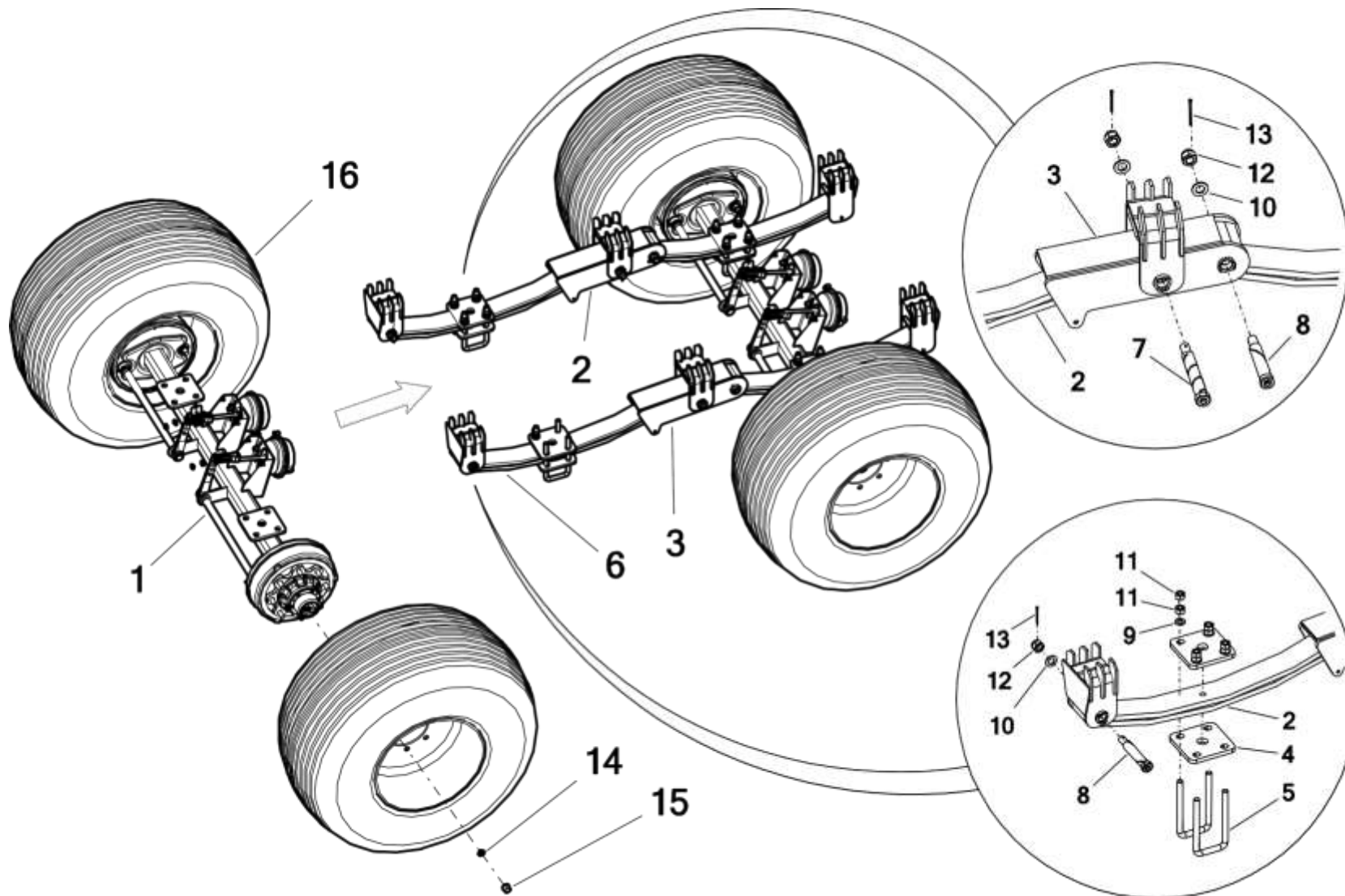
40. TENSIONER, COMPLETE WITH A GEAR WHEEL

No.	Part or assembly name	Fig. or index No.			
		N272/1	Number	N272/2	Number
1	Body	N272-1 03.01.00.5	1	N272 03.01.00.5	1
2*	Tensioner bar	N272-3 03.01.72.1	1	N272-3 03.01.72.1	1
3	Clamp, complete	N272-3 09.04.00	2	N272-3 09.04.00	2
4	Chain tension	N272-3 09.13.00	4	N272-3 09.13.00	4
5	Scraper chain sprocket, spheroidal, front NK14	POD-EOS-000469	4	POD-EOS-000469	4
6	Sleeve PAP 5030 P10	POD-LOZ-000289	8	POD-LOZ-000289	8
7	Circlip Z50	23SZ50	4	23SZ50	4
8	Chain wheel pin	N272-3 09.00.07	4	N272-3 09.00.07	4
9	Lubricating nipple M8 x 1.0 straight	23SM8	4	23SM8	4
10	Floor conveyor chain	N272-3 09.02.00	4	N272-3 09.02.00	4
11	Bolt 20 x 280 galv. 8.8 82105	POD-ELZ-000838	4	POD-ELZ-000838	4
12	Round washer 20 galv., 82005 82005	23P20OOC	4	23P20OOC	4
13	Nut M20 galv. 8.8 DIN934 8 DIN934 8	23N M20 CL.8 DIN934OC	4	23N M20 CL.8 DIN934OC	4

Key:

2* – inseparable part of the body – **N272-1 03.01.00.5, N272 03.01.00.5**

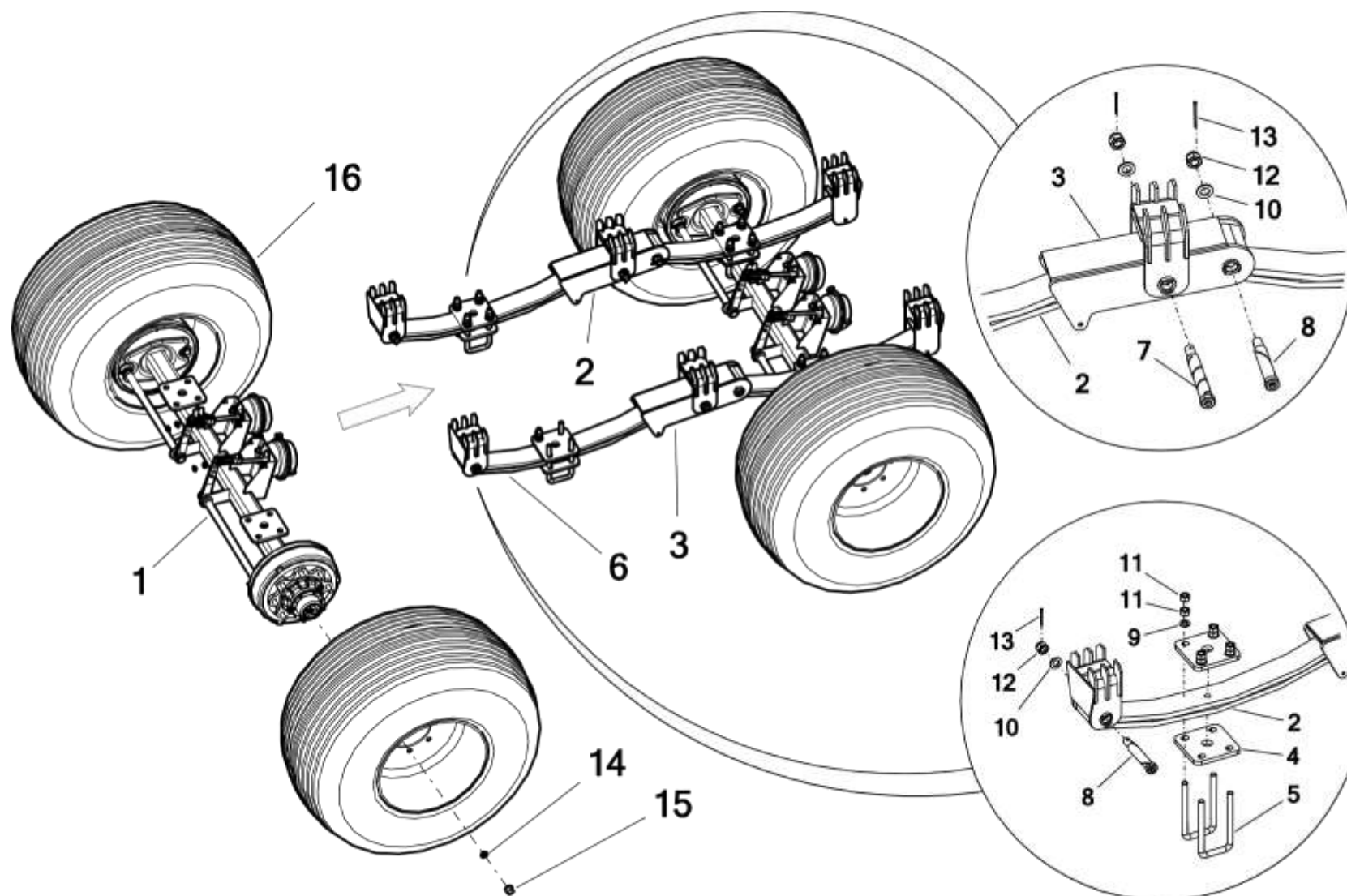
41. TANDEM TYPE SUSPENSION



41. TANDEM TYPE SUSPENSION

No.	Part or assembly name	Fig. or index No.			
		N272/1	Number	N272/2	Number
1	Universal axle, complete (for certified spreaders)	N272-3 02.09.00	2	N272-3 02.09.00	2
	Universal axle, complete	N272-3 02.04.00.1	2		2
2	Suspension system springs connector, right side	N272 02.01.00	1	N272 02.01.00	1
3	Suspension system springs connector, left side	N272 02.02.00	1	N272 02.02.00	1
4	Sheet metal under the suspension spring (welded)	N272 02.04.02	8	N272 02.04.02	8
5	U-bolt clamp for axle	N272 02.04.01	8	N272 02.04.01	8
6	Parabolic suspension spring 4121001	POD-OGL-000300	4	POD-OGL-000300	4
7	Connector pin	N272 02.00.01.1	2	N272 02.00.01.1	2
8	Leaf spring pin	N272 02.00.02.1	4	N272 02.00.02.1	4
9	Round washer 20 galv., 82005 82005	23P20OOC	16	23P20OOC	16
10	Round washer, 24 galv., 82005 82005	23P24OC	6	23P24OC	6
11	Fine-threaded nut M20 x 1.5 galv.	23N20-1.5OC	32	23N20-1,5OC	32

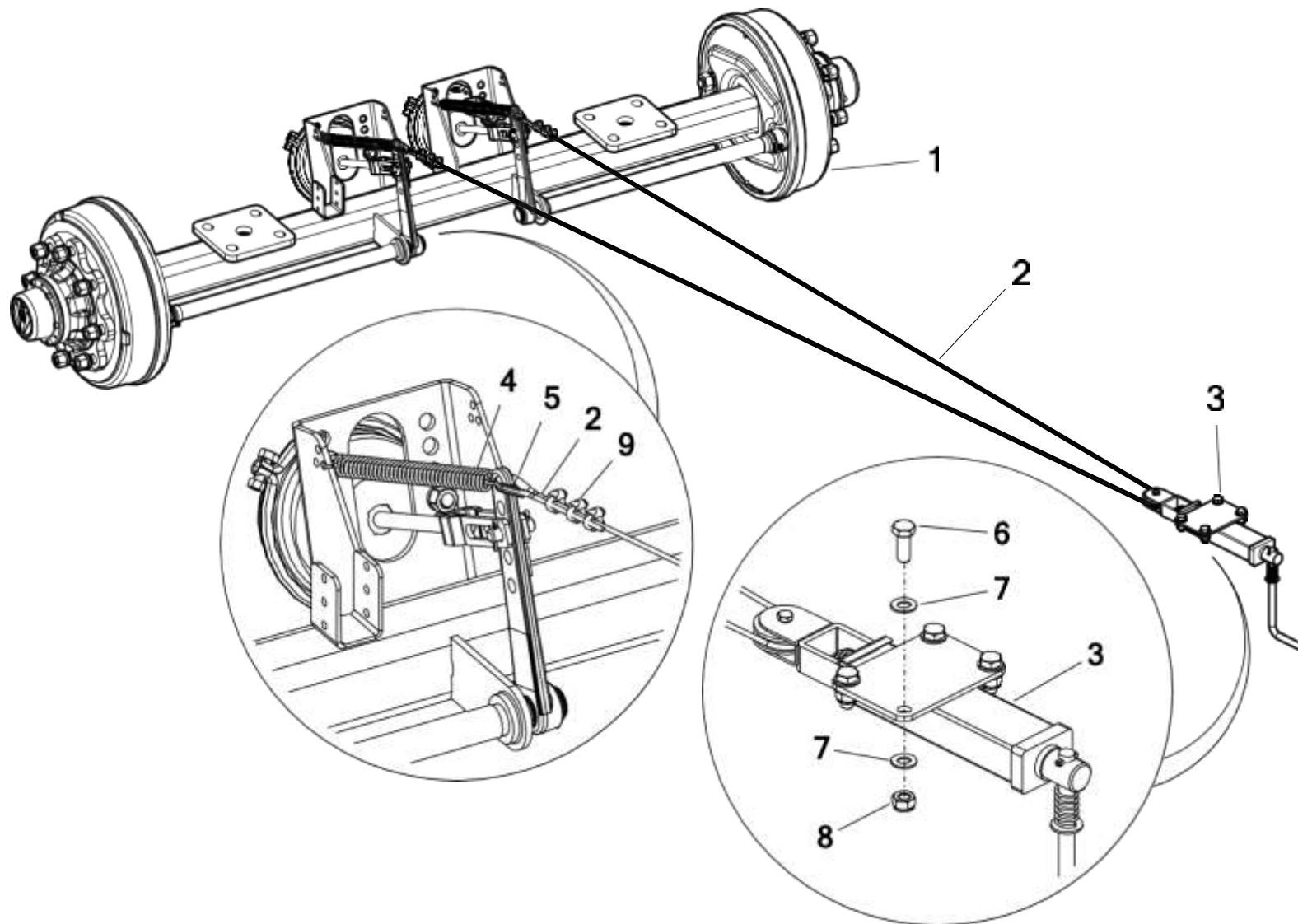
41. TANDEM TYPE SUSPENSION



41. TANDEM TYPE SUSPENSION

No.	Part or assembly name	Fig. or index No.			
		N272/1	Number	N272/2	Number
12	Castellated nut M24 x 2 cl. 8 galv.	POD-ELZ-000602	6	POD-ELZ-000602	6
13	Cotter pin 5 x 63 galv.	23Z5/63	6	23Z5/63	6
14	Axle stud bolt washer A90TN8TG052 574201	POD-KOS-000341	32	POD-KOS-000341	32
15	Axle stud bolt nut A90TN8TG052 57320B1	POD-KOS-000043	32	POD-KOS-000043	32
16	Wheel 550/60-22.5 16 PR, 8 holes	POD-KOL-000009	4	POD-KOL-000009	4

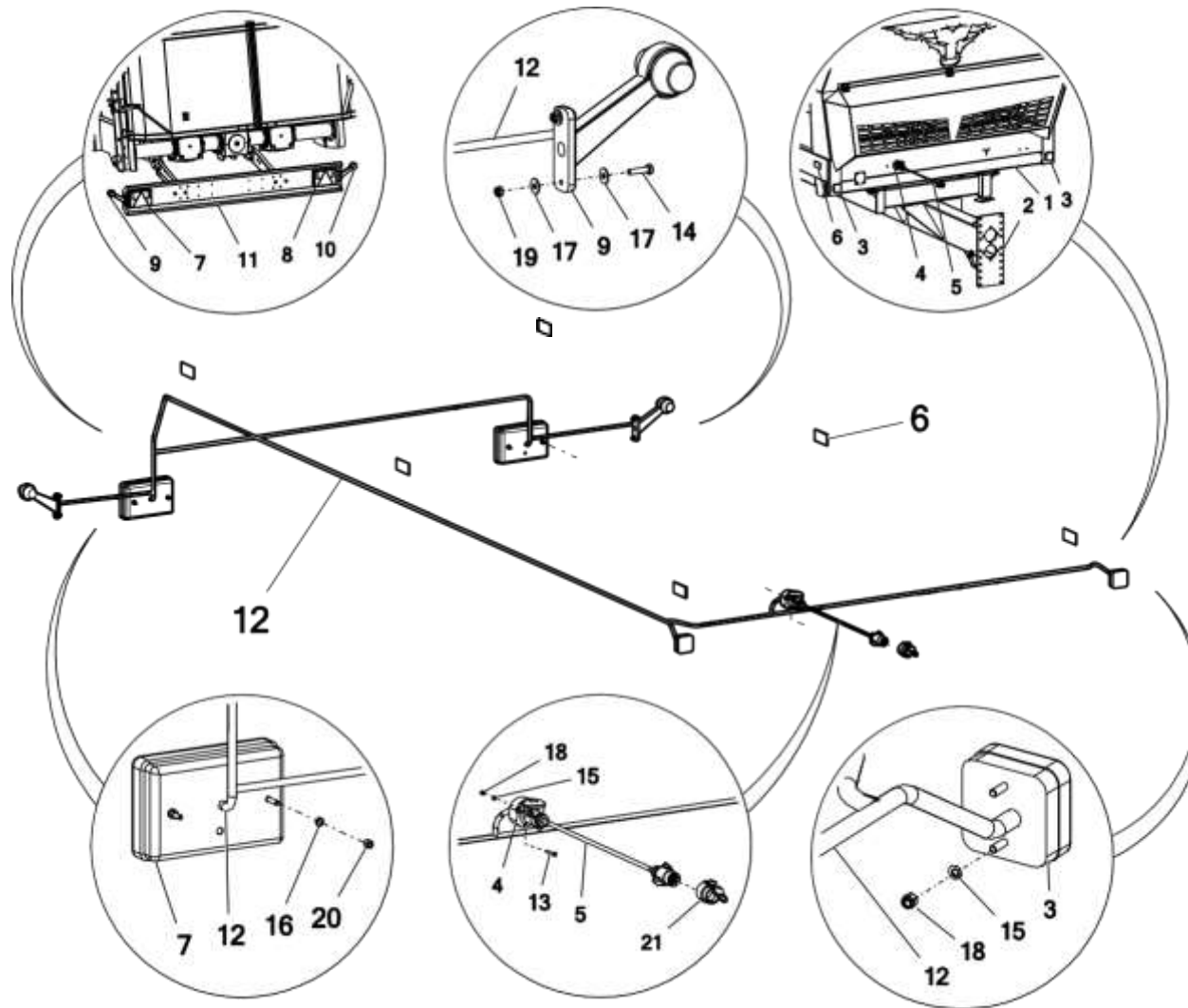
42. HANDBRAKE, COMPLETE



42. HANDBRAKE, COMPLETE

No.	Part or assembly name	Fig. or index No.			
		N272/1	Number	N272/2	Number
1	Universal axle	N272-3 02.04.00.1	1	N272-3 02.04.00.1	1
2	Steel cable 6 mm	23LS6	1	23LS6	1
3	Brake tension	N272 01.04.00.1	1	N272 01.04.00.1	1
4	Tension spring 3/25/150/36.5 galv. (maz-1771) (KIG)	23SPN3/25/150	2	23SPN3/25/150	2
5	Rope thimble 6 mm	POD-ELZ-000365	2	POD-ELZ-000365	2
6	Bolt 12 x 30 galv., 8.8 82105 82105	23S12/30OC 8.8	4	23S12/30OC 8.8	4
7	Round washer 12 galv., 82005	23P12OC	8	23P12OC	8
8	Self locking nut M12 galv., 82175 8 82175 8	23NS12OC	4	23NS12OC	4
9	Cable clamp 6mm	23ZL6	6	23ZL6	6

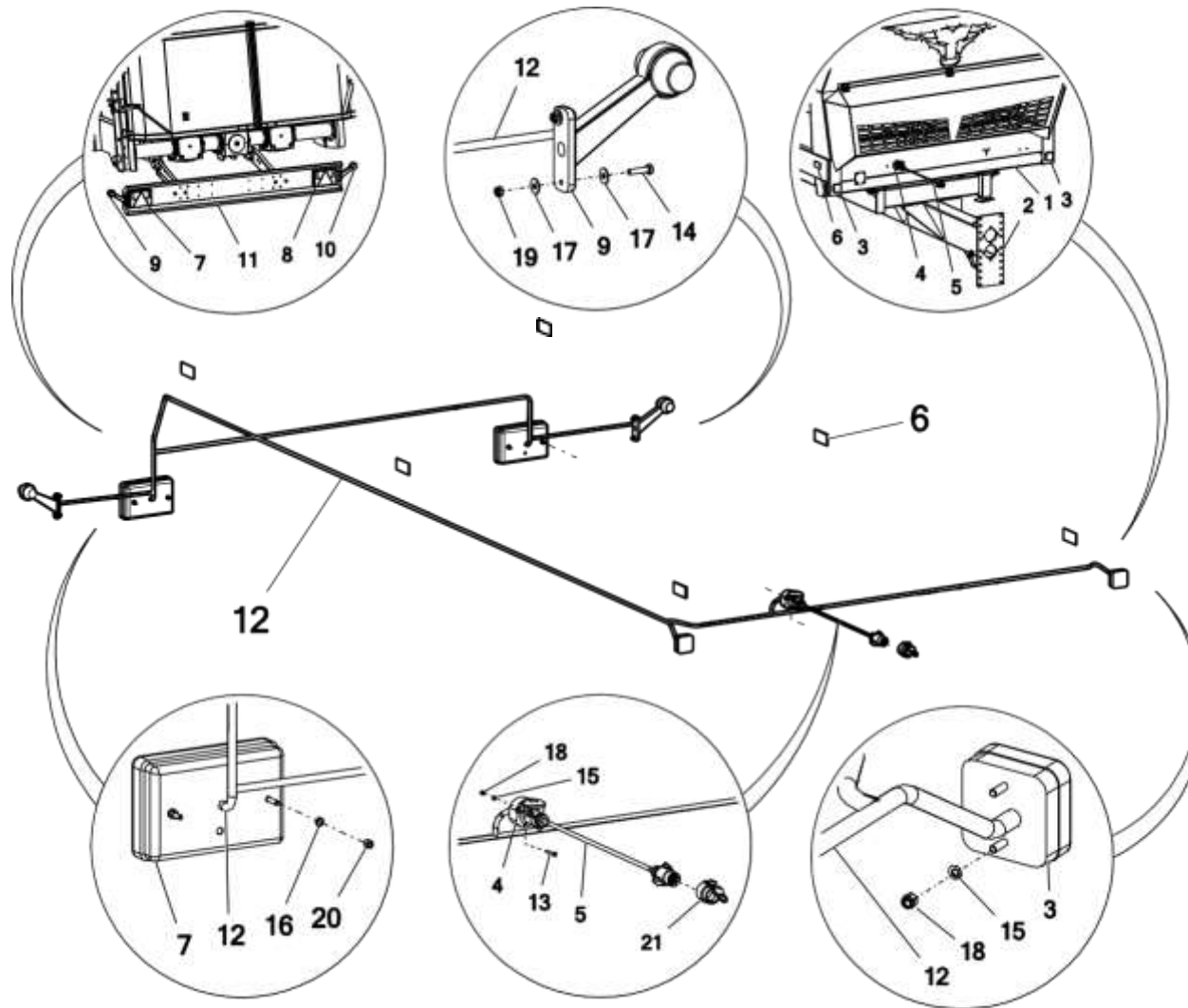
43. ELECTRICAL SYSTEM



43. ELECTRICAL SYSTEM

No.	Part or assembly name	Fig. or index No.			
		N272/1	Number	N272/2	Number
1	Body	N272-1 03.01.00.5	1	N272 03.01.00.5	1
2	Bottom frame TAURUS	N272 01.00.00.1	1	N272 01.00.00.1	1
3	Bulb marker lamp HOR23 LO093	POD-ELK-000011-1	2	POD-ELK-000011-1	2
4*	7-pin socket	POD-ELK-000009-1	1	POD-ELK-000009-1	1
5*	Spiral cable 12 V 7-pin 4.0 m 6 x 1 + 1 x 1.5	POD-ELK-000159	1	POD-ELK-000159	1
		POD-ELK-000544	1	POD-ELK-000544	1
6	Self-adhesive rectangular orange reflector HOR-8 UO030 (E20 029650)	POD-UGL-000019-1	6	POD-UGL-000019-1	6
7	Bulb lamp cluster HOR45 LZT478, right side	POD-ELK-000013-1	1	POD-ELK-000013-1	1
8	Bulb lamp cluster HOR45 LZT471, left side	POD-ELK-000012-1	1	POD-ELK-000012-1	1
9	Incandescent marker light on an extension arm HOR50 LO356/L, left side	POD-ELK-000118	1	POD-ELK-000118	1
10	Incandescent marker light on an extension arm HOR50 LO356/P, right side	POD-ELK-000117	1	POD-ELK-000117	1
11	Light bar, complete	N272 12.00.00	1	N272 12.00.00	1
12	Electric cable harness for the N272 12t and 14t spreaders	POD-ELK-000159	1	POD-ELK-000159	1
		POD-ELK-000159	1	POD-ELK-000159	1
13	Screw 5 x 35 galv.	23W5/35	3	23W5/35	3

43. ELECTRICAL SYSTEM



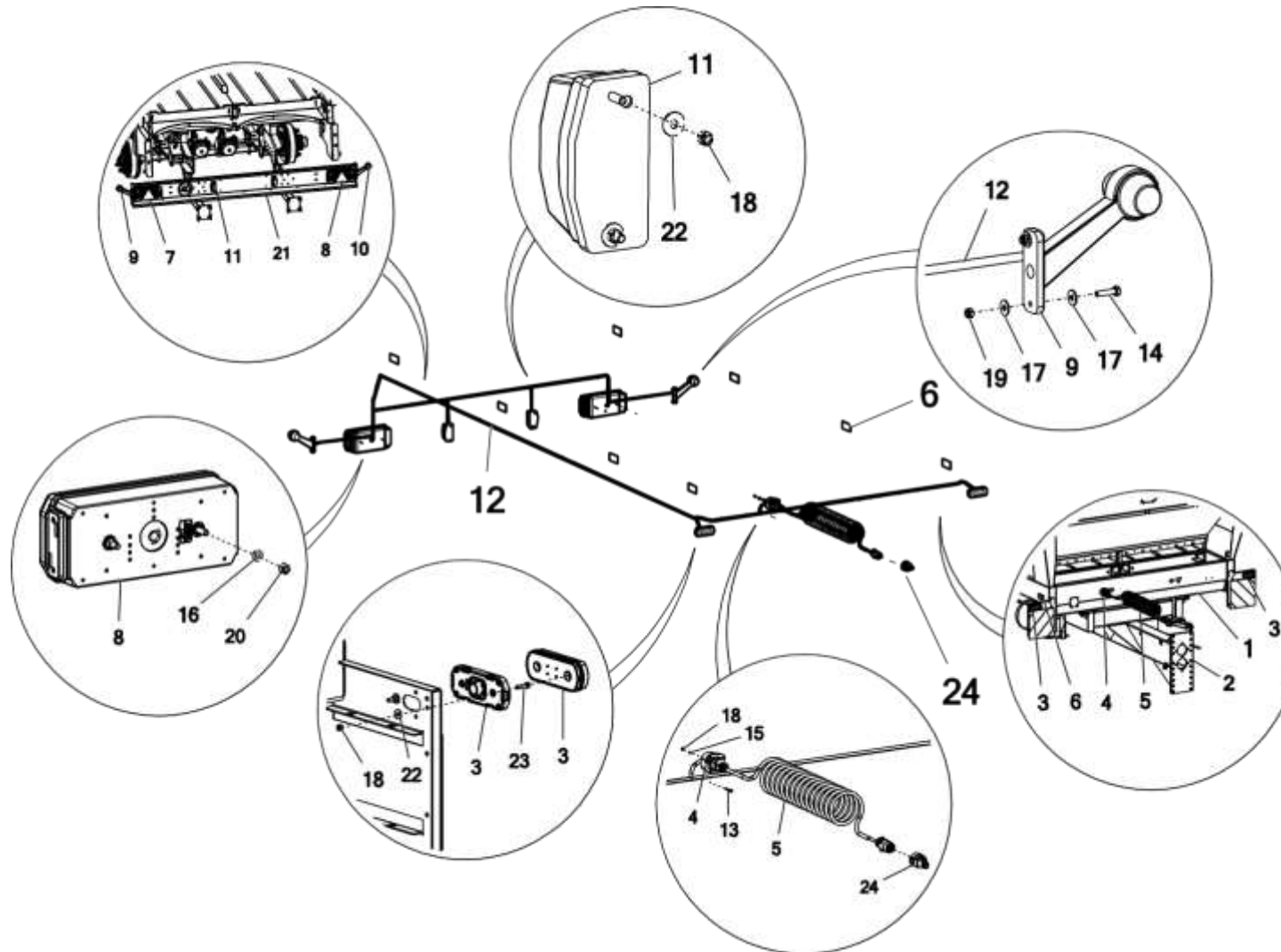
43. ELECTRICAL SYSTEM

No.	Part or assembly name	Fig. or index No.			
		N272/1	Number	N272/2	Number
14	Bolt 6 x 25 galv., 8.8 82105	23S6/25OC 105	4	23S6/25OC 105	4
15	Spring washer 5.1 galv. 82008 82008	23P5,1SPOC	7	23P5,1SPOC	7
16	Round washer 6 galv., 82005 82005	23P6OOC	4	23P6OOC	
17	Round washer 6 galv., coated 82030	23P6OC030	4	23P6OC030	4
18	Self-locking nut M5 galv. 82175 8	POD-ELZ-000471	7	POD-ELZ-000471	7
19	Self-locking nut M6 galv., 82175 8 82175 8	23NS6OC	4	23NS6OC	4
20	Nut M6 galv. 82144 5 82144 5	23N6OC	4	23N6OC	4
21	7-pin connector holder	POD-ELK-000543	1	POD-ELK-000543	1

Key:

4*, 5* – included in: Electric cable harness of the N272 12t and 14t spreaders - **POD-ELK-000159**

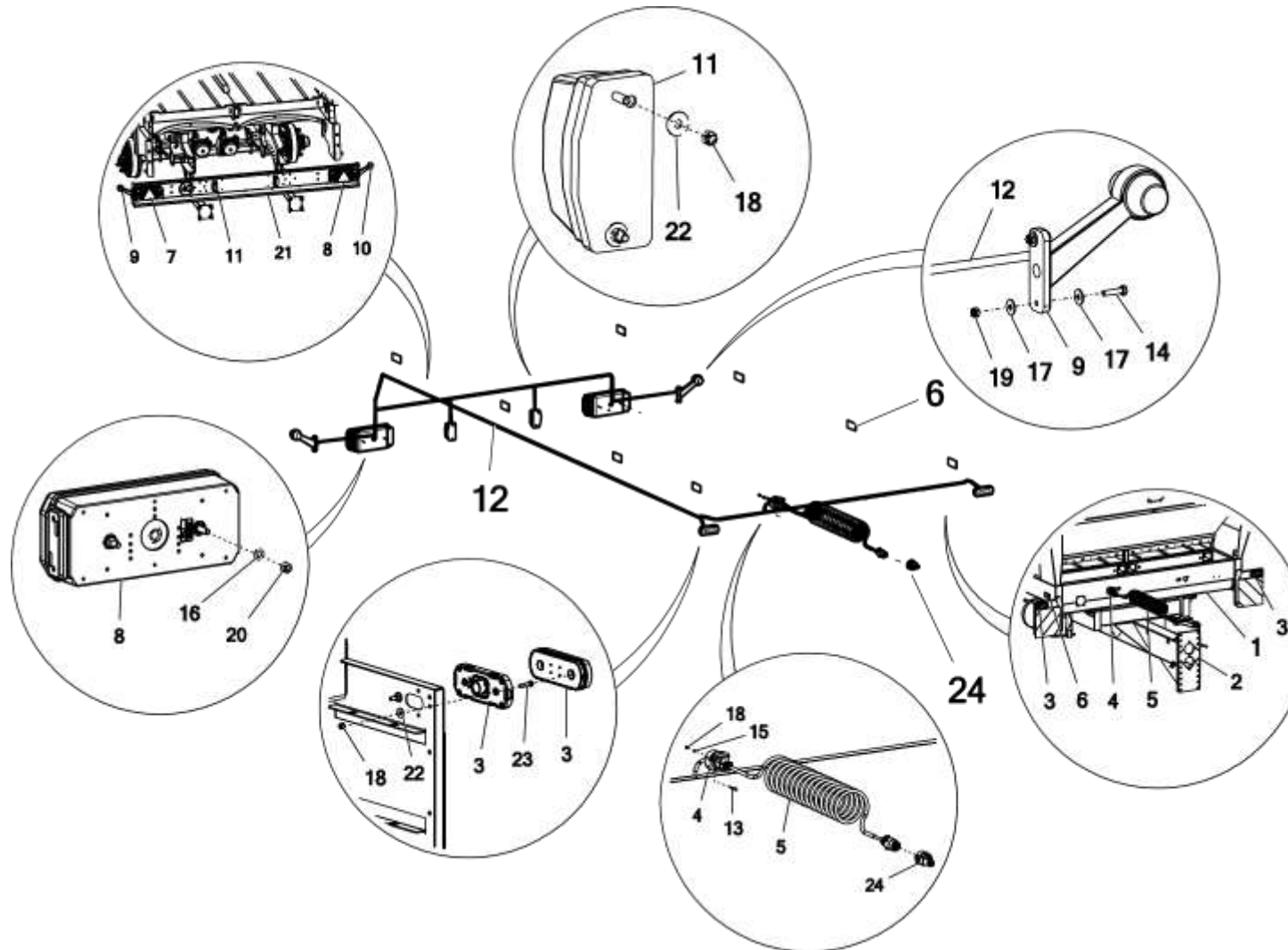
44. LED ELECTRICAL SYSTEM



44. LED ELECTRICAL SYSTEM

No.	Part or assembly name	Fig. or index No.			
		N272/1	Number	N272/2	Number
1	Body	N272-1 03.01.00.6	1	N272 03.01.00.6	1
2	Bottom frame TAURUS	N272 01.00.00.2	1	N272 01.00.00.2	1
3	W240 front position LED lamp with MF+0.5+Jaeger logo (WAS)	POD-ELK-000607	2	POD-ELK-000607	2
4	7-pin socket	POD-ELK-000009-1	1	POD-ELK-000009-1	1
5	Spiral cable 12 V 7-pin 4.0 m 6 x 1 + 1 x 1.5	POD-ELK-000544	1	POD-ELK-000544	1
		POD-ELK-000159	1	POD-ELK-000159	1
6	Self-adhesive rectangular orange reflector HOR-8 UO030 (E20 029650)	POD-UGL-000019-1	8	POD-UGL-000019-1	8
7	W247 12/24V LED rear combination lamp right MF logo+0,25m+AMP(superseal) (WAS)	POD-ELK-000610	1	POD-ELK-000610	1
8	LED rear combination lamp W247 12/24V left MF logo+0.25m+AMP(superseal) (WAS)	POD-ELK-000609	1	POD-ELK-000609	1
9	W21.5RR 635L LED clearance lamp (WAS)	POD-ELK-000518	1	POD-ELK-000518	1
10	W21.5RR 635P LED clearance lamp (WAS)	POD-ELK-000519	1	POD-ELK-000519	1
11	LED license plate light W54 246 (WAS)	POD-ELK-000522	2	POD-ELK-000522	2
12	Main harness with licence plate light – large spreaders	POD-ELK-000568	1	POD-ELK-000568	1
		POD-ELK-000159	1	POD-ELK-000159	1

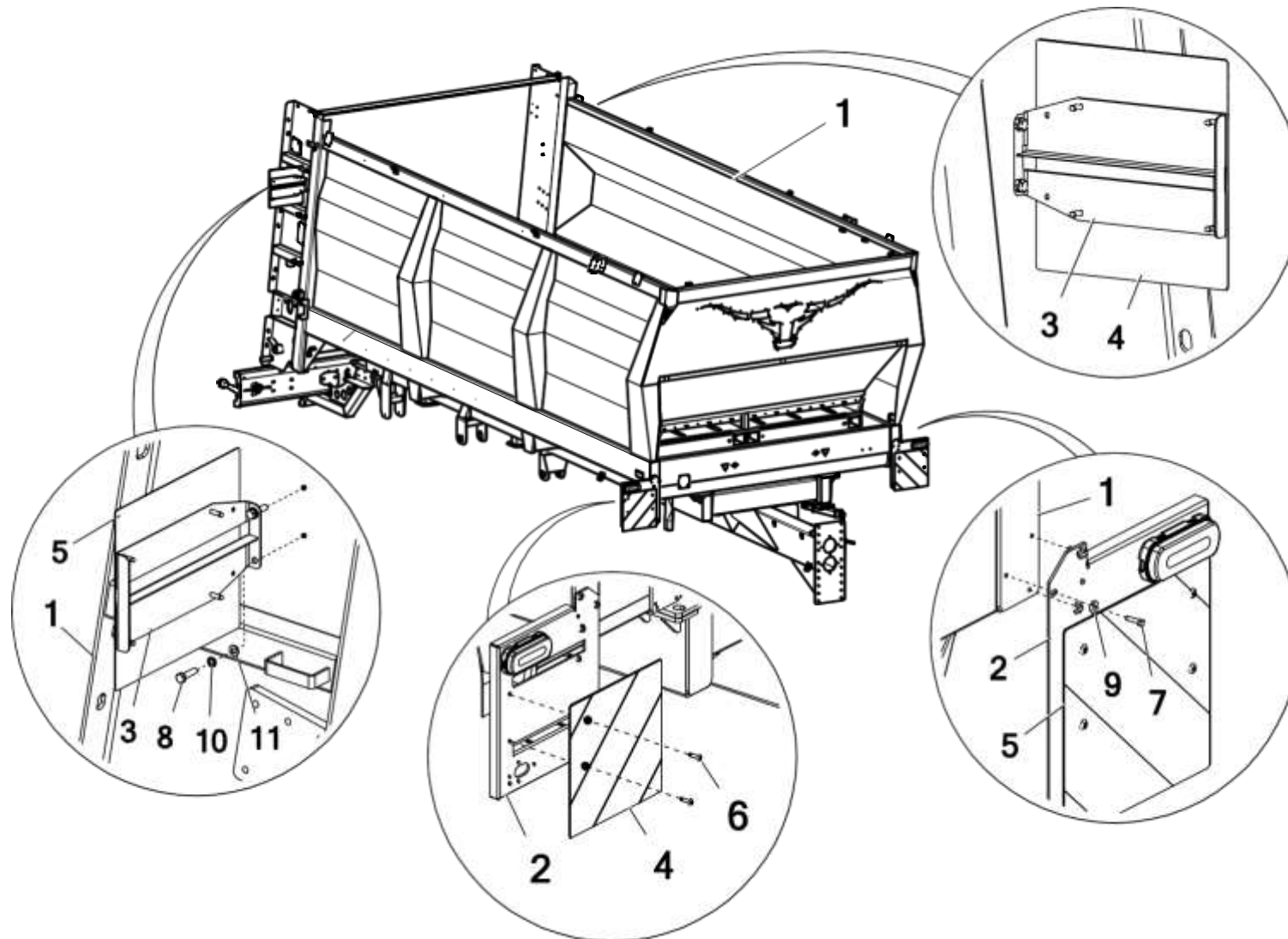
44. LED ELECTRICAL SYSTEM



44. LED ELECTRICAL SYSTEM

No.	Part or assembly name	Fig. or index No.			
		N272/1	Number	N272/2	Number
13	Screw 5 x 35 galv.	23W5/35	3	23W5/35	3
14	Bolt 6 x 25 galv., 8.8 82105	23S6/25OC 105	4	23S6/25OC 105	4
15	Spring washer 5.1 galv. 82008 82008	23P5,1SPOC	7	23P5,1SPOC	
16	Round washer 6 galv., 82005 82005	23P6OOC	4	23P6OOC	4
17	Round washer 6 galv., coated 82030	23P6OC030	4	23P6OC030	4
18	Self-locking nut M5 galv. 82175 8	POD-ELZ-000471	7	POD-ELZ-000471	7
19	Self-locking nut M6 galv., 82175 8 82175 8	23NS6OC	4	23NS6OC	4
20	Nut M8 galv., 82144 5 82144 5	23N8OC	4	23N8OC	4
21	Rear light bar assy.	N277-7 25.01.00.1	1	N277-7 25.01.00.1	1
22	Round washer 5 x 15 galv. Pow	POD-ELZ-000632	4	POD-ELZ-000632	4
23	Bolt 5 x 20 galv. 8.8 82105	POD-ELZ-000645	4	POD-ELZ-000645	4
24	7-pin connector holder	POD-ELK-000543	1	POD-ELK-000543	1

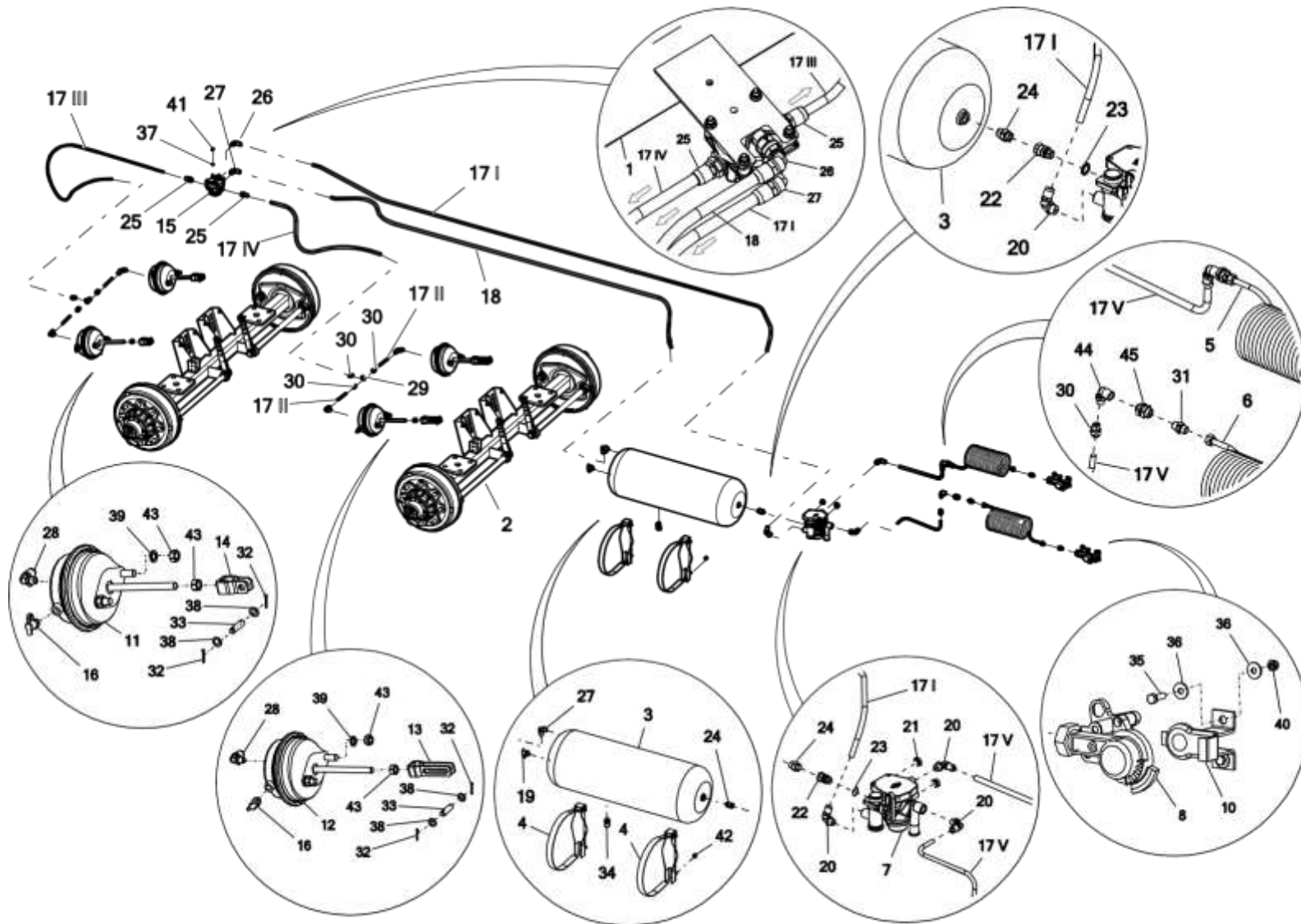
45. WARNING PLATES



45. WARNING PLATES

No.	Part or assembly name	Fig. or index No.			
		N272/1	Number	N272/2	Number
1	Body	N272-1 03.01.00.6	1	N272 03.01.00.6	1
2	Warning sign bracket – front	N272 03.00.20.1	2	N272 03.00.20.1	2
3	Distinguishing sign support – rear	N272 03.00.21	2	N272 03.00.21	2
4	Red and white board 282 x 282 mm, right (approval 104 R)	POD-ELK-000582	2	POD-ELK-000582	2
5	Red and white board 282 x 282 mm, left (approval 104 R)	POD-ELK-000581	2	POD-ELK-000581	2
6	Aluminium/steel pop rivet 6 x 20	POD-ELZ-000415	16	POD-ELZ-000415	16
7	Bolt 5 x 20 galv. 8.8 82105	POD-ELZ-000645	6	POD-ELZ-000645	6
8	Bolt 8 x 30 black 8.8 82105 82105	23S8/30 8.8	6	23S8/30 8.8	6
9	Round washer 5 x 15 galv. Pow	POD-ELZ-000632	6	POD-ELZ-000632	6
10	Spring washer 8.2 galv., 82008 82008	23P8SPOC	6	23P8SPOC	6
11	Round washer 8 galv., 82005 82005	23P8OOC	6	23P8OOC	6

46. PNEUMATIC BRAKING SYSTEM



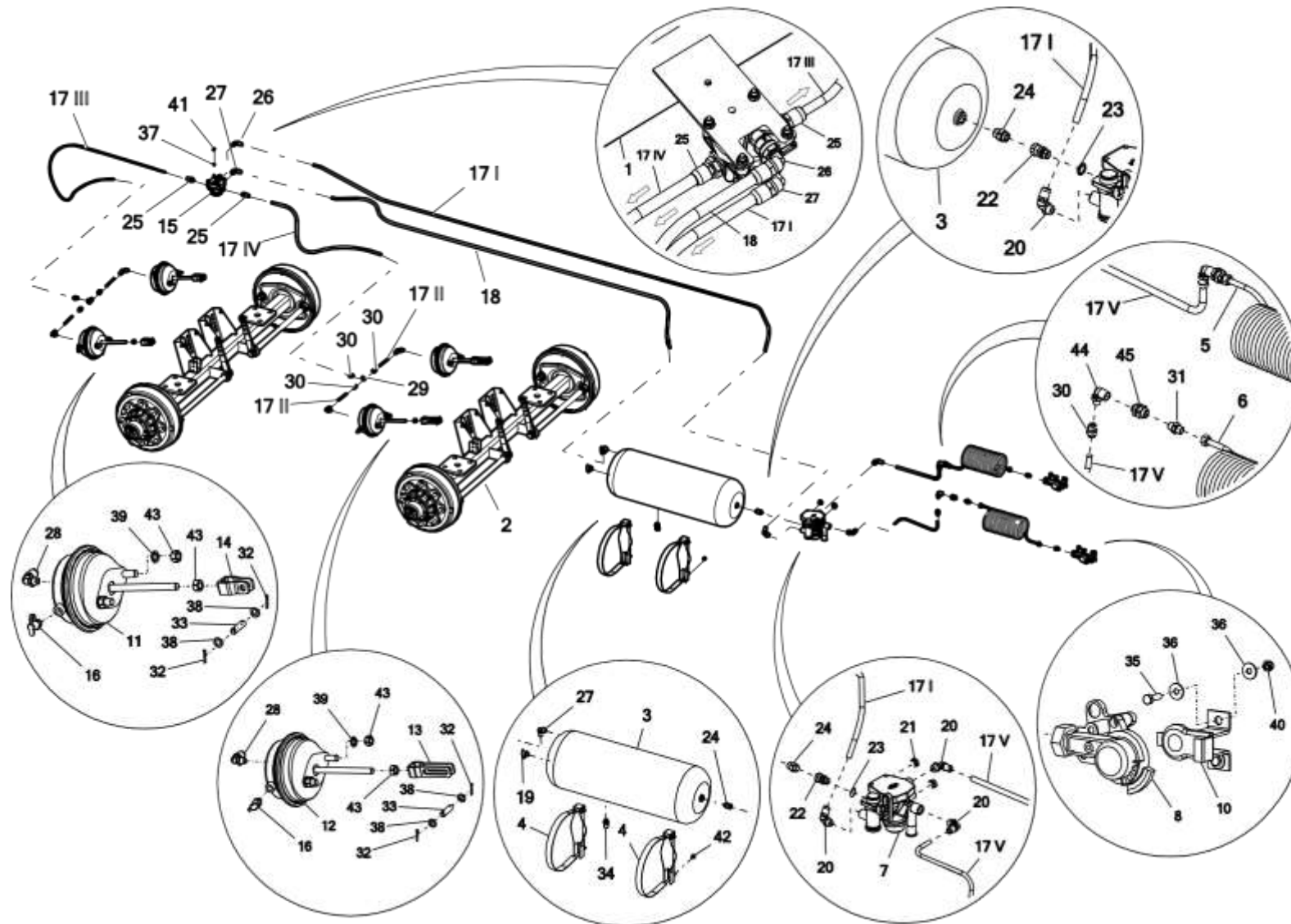
46. PNEUMATIC BRAKING SYSTEM

No.	Part or assembly name	Fig. or index No.			
		N272/1	Number	N272/2	Number
1	Bottom frame TAURUS	N272 01.00.00.1	1	N272 01.00.00.1	1
2	Universal axle	N272-3 02.04.00.1	2	N272-3 02.04.00.1	2
3	Air tank 60 l, diam. 276 KNORR	POD-OGL-000632	1	POD-OGL-000632	1
4	Clamp for air tank 60 l, diam. 276 KNORR	POD-OGL-000633	2	POD-OGL-000633	2
5	HALDEX yellow spiral conduit	POD-OGL-000620	1	POD-OGL-000620	1
6	HALDEX red spiral conduit	POD-OGL-000619	1	POD-OGL-000619	1
7*	KNORR trailer brake valve BREMSE	POD-OGL-001098	1	POD-OGL-001098	1
8*	HALDEX conduit connector, yellow, front		1		1
9*	Hose connector red front HALDEX		1		1
10*	Pneumatic Connector Holder		2		2
11	Membrane cylinder 24 + short forks KNORR	POD-OGL-000553	2	POD-OGL-000553	2
12	Membrane cylinder 24 + long forks KNORR	POD-OGL-000637	2	POD-OGL-000637	2

Key:

7*- 10* – included in: KNORR braking system KNORR braking system type N UNIVERSAL, manual adjust., VALVES w/o rear ports – POD-OGL-001098

46. PNEUMATIC BRAKING SYSTEM



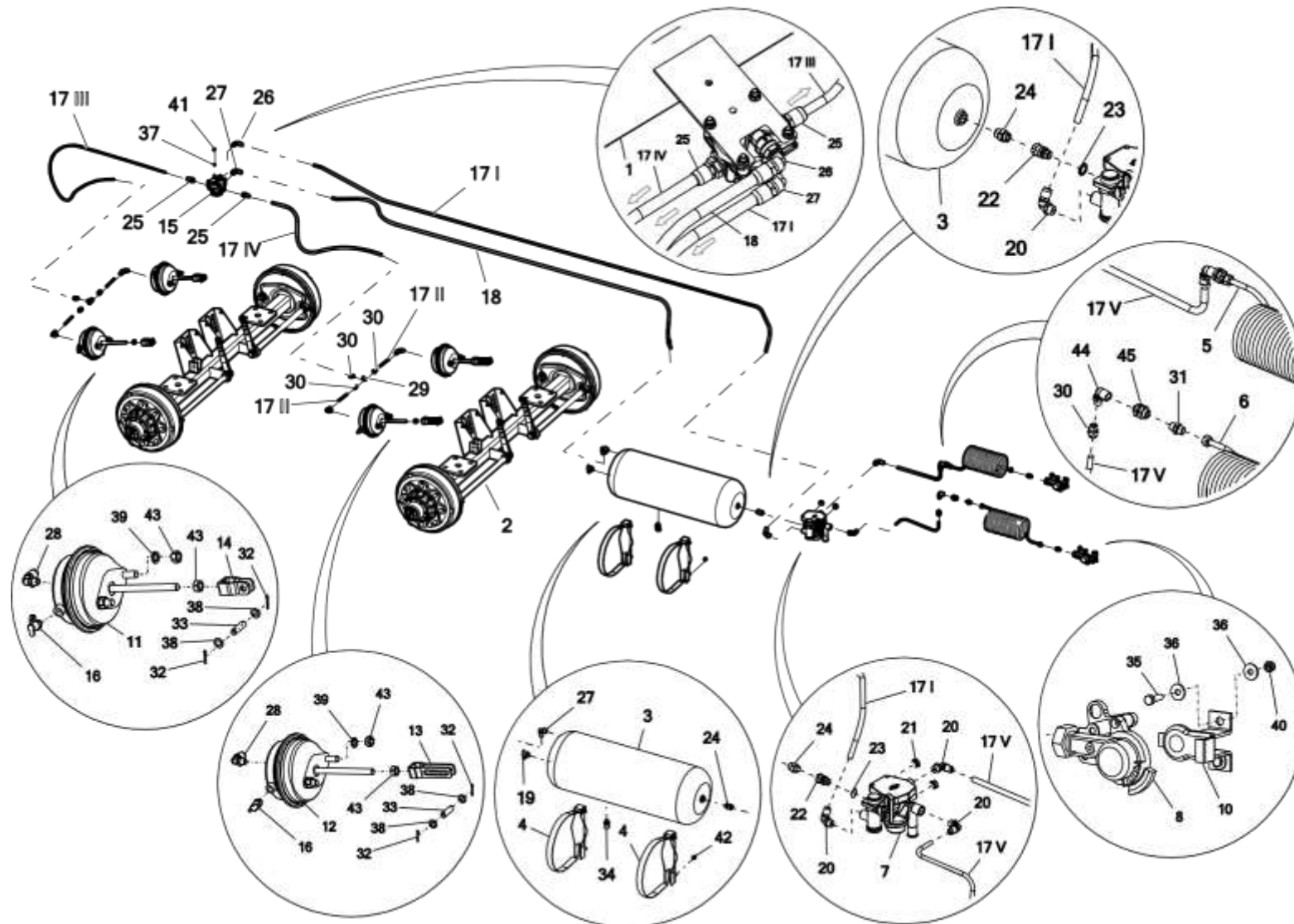
46. PNEUMATIC BRAKING SYSTEM

No.	Part or assembly name	Fig. or index No.			
		N272/1	Number	N272/2	Number
13	Short forks for membrane cylinder	POD-OGL-000553	2	POD-OGL-000553	2
14	Long forks for membrane cylinder	POD-OGL-000637	2	POD-OGL-000637	2
15	Relay valve KNORR	POD-OGL-000850	1	POD-OGL-000850	1
16*	Pneumatic control connector M16 x 1.5	POD-OGL-001114	4	POD-OGL-001114	4
17 I	Tecalan tube DN12 x 1.5 (8 m)	POD-TSZ-000050	3 m	POD-TSZ-000050	3 m
17 II			1 m		1 m
17 III			1.5 m		1.5 m
17 IV			1 m		1 m
17 V			1.5 m		1.5 m
18	Tecalan tube DN15 x 1.5	POD-TSZ-000051	5 m	POD-TSZ-000051	5 m
19*	Pneumatic control connector M22 x 1.5	POD-OGL-001114	1	POD-OGL-001114	1
20*	Pneumatic elbow M22-12 x 1.5 TK12		2		2
21*	Pneumatic plug M22		2		2
22	Straight connector 22" ext. – M22 x 1.5 dia. 15 screwed-on	POD-HKR-000041	1	POD-HKR-000041	1
23	Metal & rubber washer PPM22 30 x 22	24UPPM22	1	24UPPM22	1

Key:

16*, 19*, 21* – included in: KNORR braking system of the N272/1-2 spreader, CONNECTORS – **POD-OGL-001114**

46. PNEUMATIC BRAKING SYSTEM



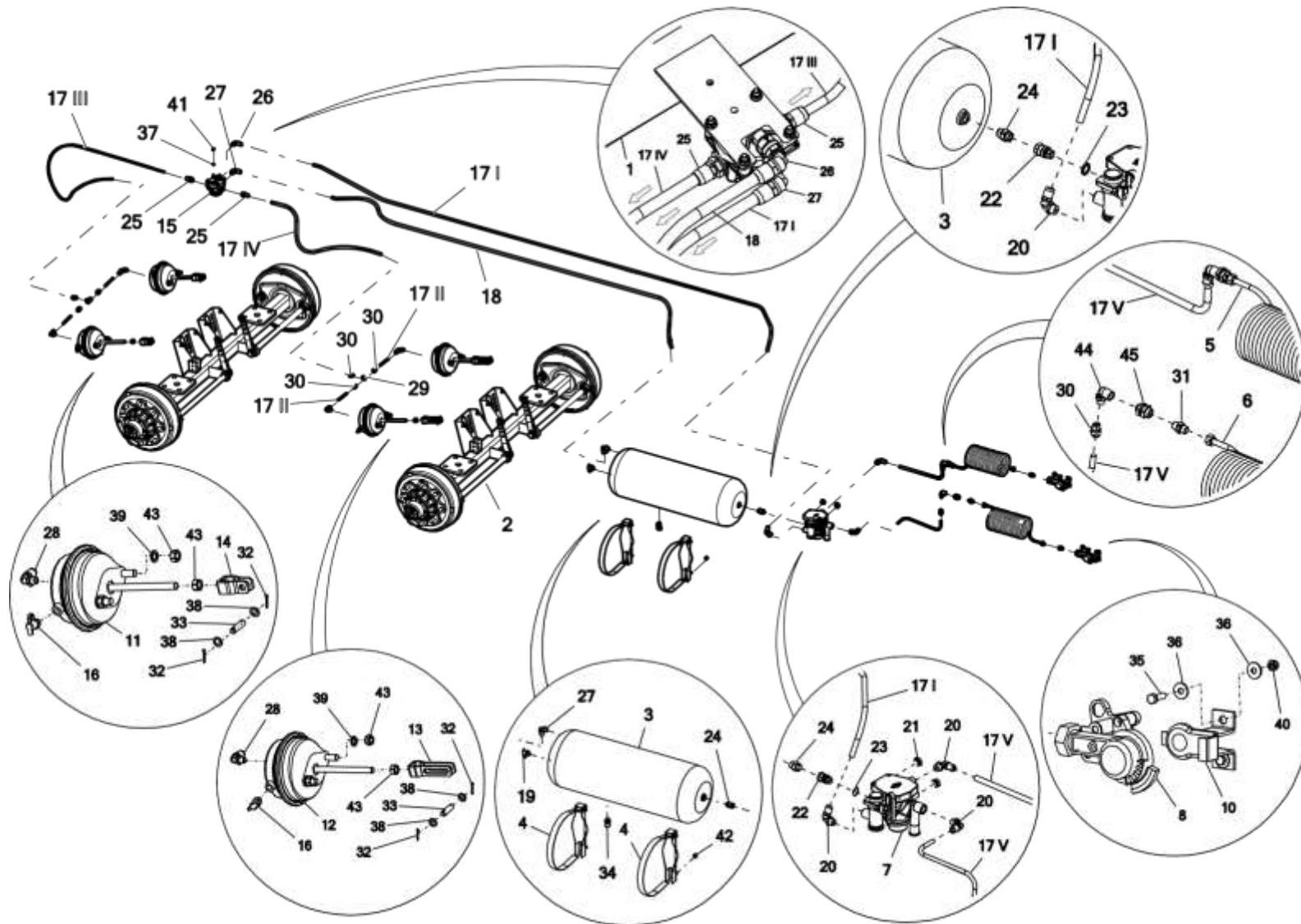
46. PNEUMATIC BRAKING SYSTEM

No.	Part or assembly name	Fig. or index No.			
		N272/1	Number	N272/2	Number
24	Straight coupling, 22 x 22	24K22/22	1	24K22/22	1
25*	Straight connector M22 x 1.5 / diam. 12	POD-OGL-001114	2	POD-OGL-001114	2
26*	Pneumatic elbow M16 TK15		1		1
27*	Pneumatic elbow M22-15 x 1.5 TK15		1		1
28*	Pneumatic elbow M16-12 x 1.5		4		4
29*	T-piece M16 x 3		2		2
30*	Straight pneumatic connector M16 TK12		4		4
31*	Connector M16xM18		2		2
32	Cotter pin Ø4x32	POD-OGL-000637	8	POD-OGL-000637	8
33	Cylinder pin		4		4
34*	Drain valve M22 x 1.5 KNORR	POD-OGL-001114	1	POD-OGL-001114	1
35	Bolt 6 x 20 galv. 8.8 82105 82105 8.8	23S6/20	4	23S6/20	4
36	Round washer 6 galv., coated 82030	23P6OC030	8	23P6OC030	8

Key:

25*, 31*, 34* – included in: KNORR braking system of the N272/1-2 spreader, CONNECTORS – **POD-OGL-001114**

46. PNEUMATIC BRAKING SYSTEM



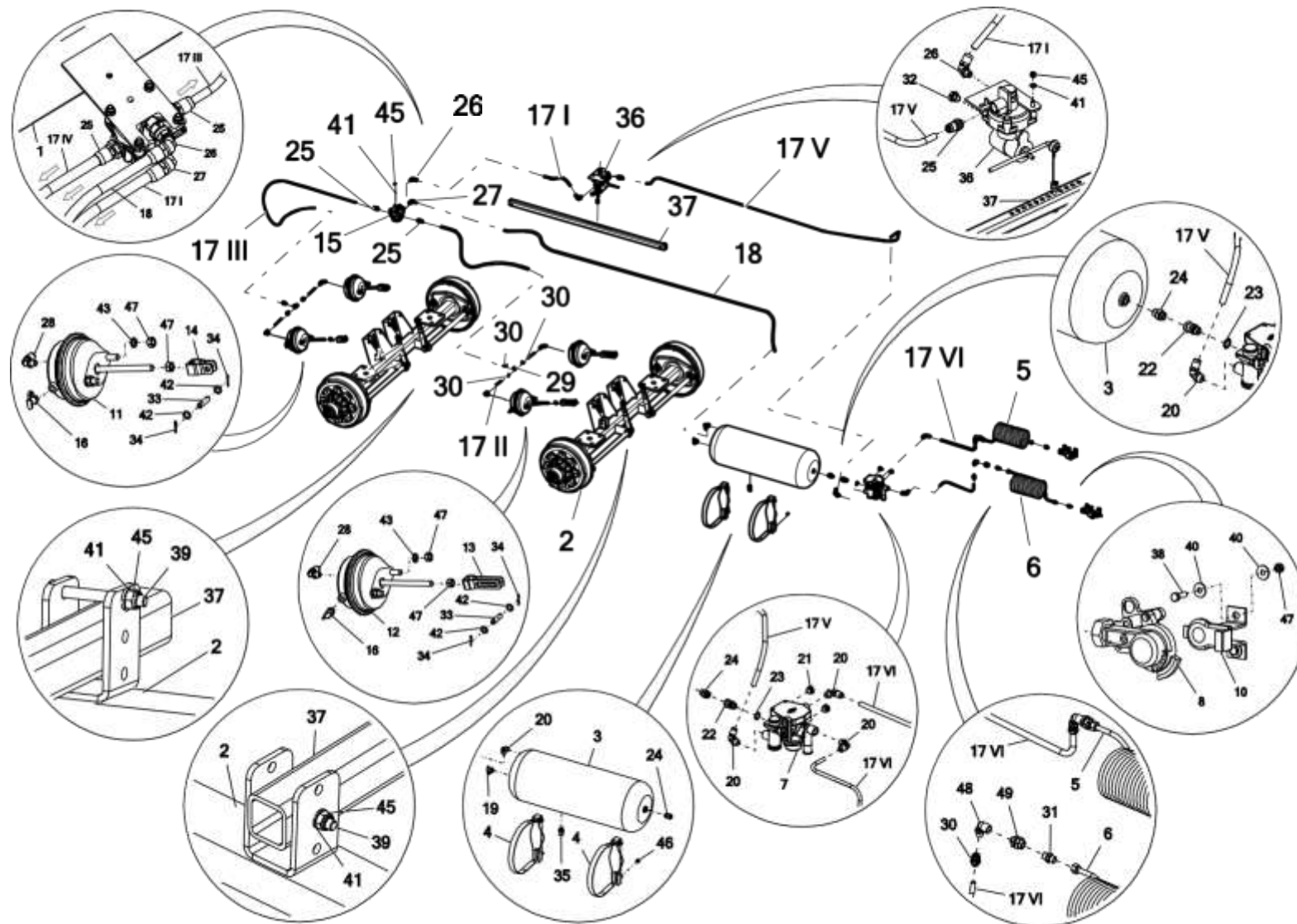
46. PNEUMATIC BRAKING SYSTEM

No.	Part or assembly name	Fig. or index No.			
		N272/1	Number	N272/2	Number
37	Round washer 8 galv., 82005 82005	23P8OOC	4	23P8OOC	4
38	Round washer 14 galv. 82005 82005	23P14OC	8	23P14OC	8
39	Spring washer 16.3 galv., 82008 82008	23P16SP	8	23P16SP	8
40	Self-locking nut M6 galv., 82175 8 82175 8	23NS6OC	4	23NS6OC	4
41	Self-locking nut M8, galv., 82175 8 82175 8	23NS8OC	4	23NS8OC	4
42	Nut M12 galv. 82144 5	23N12OC	2	23N12OC	2
43	Nut M16 galv. 8.8 82144 5 82144 5	23N16OC	12	23N16OC	12
44*	Elbow 45°M16 x 1.5/dia. 12 (5,401,209,016,155)	POD-OGL-001114	2	POD-OGL-001114	2
45	Bulkhead pneumatic coupling ext. M22/ext. M22/int. M16	POD-PZŁ-000086	2	POD-PZŁ-000086	2

Key:

44* – included in: KNORR braking system of the N272/1-2 spreader, CONNECTORS – **POD-OGL-001114**

47. PNEUMATIC BRAKING SYSTEM WITH ALB



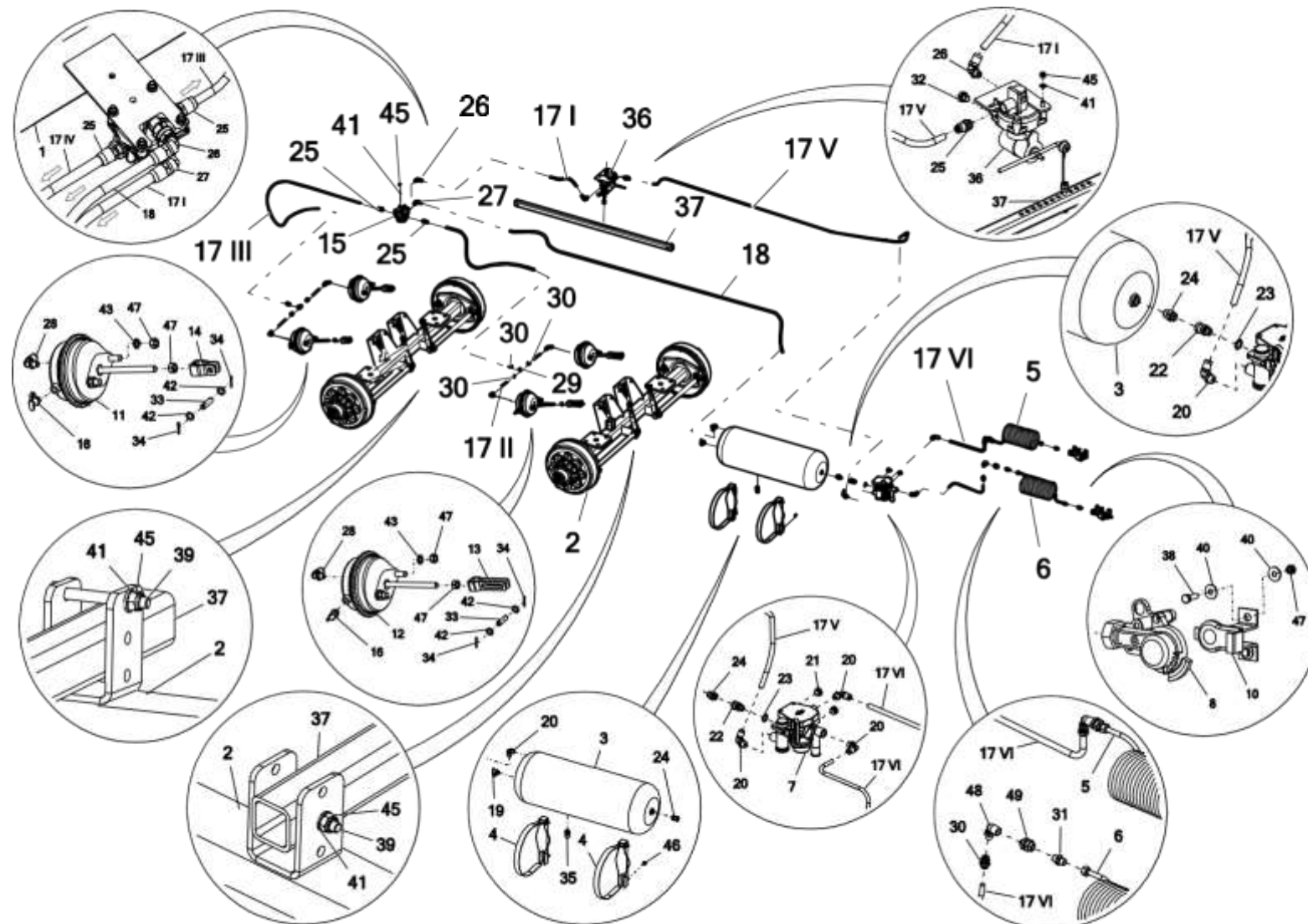
47. PNEUMATIC BRAKING SYSTEM WITH ALB

No.	Part or assembly name	Fig. or index No.			
		N272/1	Number	N272/2	Number
1	Bottom frame TAURUS	N272 01.00.00.1	1	N272 01.00.00.1	1
2	Universal axle	N272-3 02.04.00.1	2	N272-3 02.04.00.1	2
3	Air tank 60 l, diam. 276 KNORR	POD-OGL-000632	1	POD-OGL-000632	1
4	Clamp for air tank 60 l, diam. 276 KNORR	POD-OGL-000633	2	POD-OGL-000633	2
5	HALDEX yellow spiral conduit	POD-OGL-000620	1	POD-OGL-000620	1
6	HALDEX red spiral conduit	POD-OGL-000619	1	POD-OGL-000619	1
7*	KNORR trailer brake valve BREMSE	POD-OGL-001094	1	POD-OGL-001094	1
8*	HALDEX conduit connector, yellow, front		1		1
9*	Hose connector red front HALDEX		1		1
10*	Pneumatic Connector Holder		2		2
11	Membrane cylinder 24 + short forks KNORR	POD-OGL-000553	2	POD-OGL-000553	2

Key:

7*- 10* – included in: KNORR braking system KNORR TUV type N ALL-PURPOSE automatic adjustment ALB VALVES without rear connectors – **POD-OGL-001094**

47. PNEUMATIC BRAKING SYSTEM WITH ALB



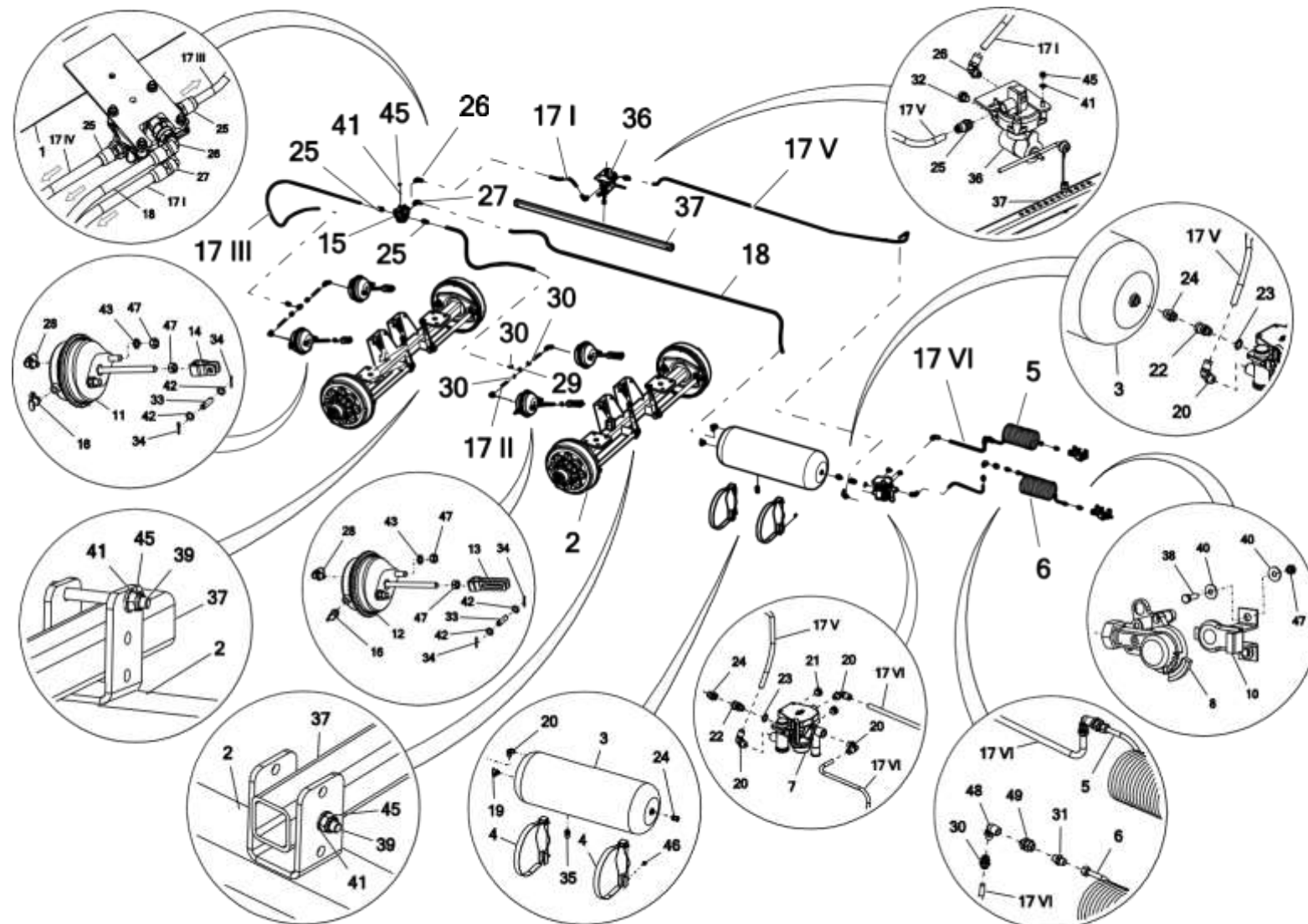
47. PNEUMATIC BRAKING SYSTEM WITH ALB

No.	Part or assembly name	Fig. or index No.			
		N272/1	Number	N272/2	Number
12	Membrane cylinder 24 + long forks KNORR	POD-OGL-000637	2	POD-OGL-000637	2
13	Short forks for membrane cylinder		2		2
14	Long forks for membrane cylinder		2		2
15	Relay valve KNORR	POD-OGL-000850	1	POD-OGL-000850	1
16	Pneumatic control connector M16 x 1.5	POD-OGL-001122	4	POD-OGL-001114	4
17 I	Tecalán tube DN12 x 1.5 (8 m)	POD-TSZ-000050	0.5 m	POD-TSZ-000050	0.5 m
17 II			1 m		1 m
17 III			1.5 m		1.5 m
17 IV			1 m		1 m
17 V			2.5 m		2.5 m
17 VI			1.5 m		1.5 m
18	Tecalán tube DN15 x 1.5	POD-TSZ-000051	5 m	POD-TSZ-000051	5 m

Key:

16* - included in: KNORR braking system of the N272/1-2 with ALB TAURUS CONNECTORS – **POD-OGL-001122**

47. PNEUMATIC BRAKING SYSTEM WITH ALB



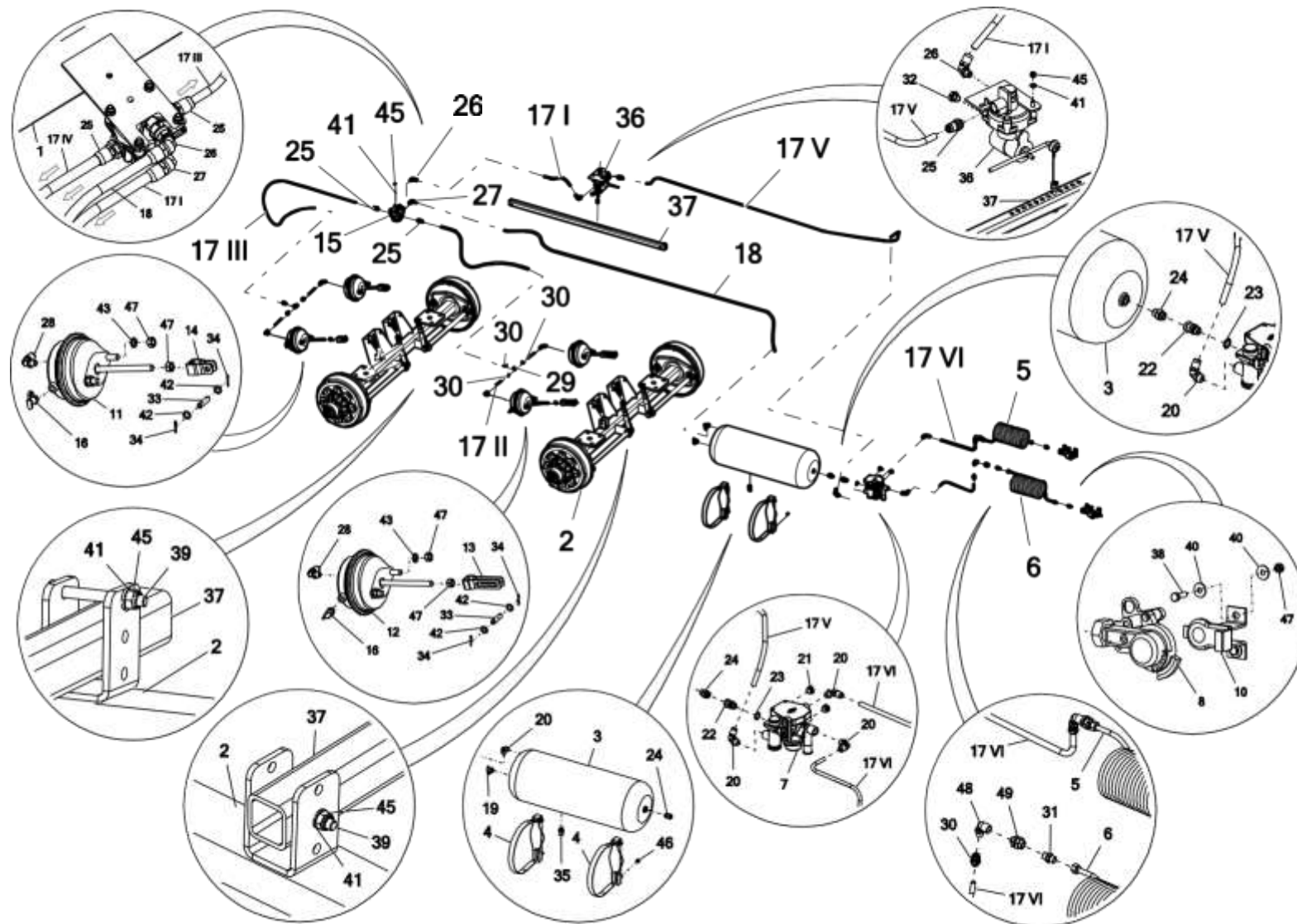
47. PNEUMATIC BRAKING SYSTEM WITH ALB

No.	Part or assembly name	Fig. or index No.			
		N272/1	Number	N272/2	Number
19*	Pneumatic control connector M22 x 1.5	POD-OGL-001122	1	POD-OGL-001122	1
20*	Pneumatic elbow M22-12 x 1.5 TK12		2		2
21*	Pneumatic plug M22		2		2
22	Straight connector 22" ext. – M22 x 1.5 dia. 15 screwed-on	POD-HKR-000041	1	POD-HKR-000041	1
23	Metal & rubber washer PPM22 30 x 22	24UPPM22	1	24UPPM22	1
24	Straight coupling, 22 x 22	24K22/22	1	24K22/22	1
25*	Straight connector M22 x 1.5 / diam. 15	POD-OGL-001122	2	POD-OGL-001122	2
26*	Pneumatic elbow M16 TK15		1		1
27*	Pneumatic elbow M22-15 x 1.5 TK15		1		1
28*	Pneumatic elbow M16-12 x 1.5		4		4
29*	T-piece M16 x 3		2		2
30*	Straight pneumatic connector M16 TK12		4		4
31*	Straight pneumatic connector M16 TK15		2		2
32	Pneumatic plug M16	POD-PZŁ-000036	1	POD-PZŁ-000036	1

Key:

19*- 21*, 25* - 31* – included in: KNORR braking system of the N272/1-2 with ALB TAURUS CONNECTORS – **POD-OGL-001122**

47. PNEUMATIC BRAKING SYSTEM WITH ALB



47. PNEUMATIC BRAKING SYSTEM WITH ALB

No.	Part or assembly name	Fig. or index No.			
		N272/1	Number	N272/2	Number
33	Cylinder pin	POD-OGL-000637	4	POD-OGL-000637	4
34	Cotter pin Ø4x32		8		8
35*	Drain valve M22 x 1.5 KNORR	POD-OGL-001122	1	POD-OGL-001114	1
36*	Mechanical braking force regulator	POD-OGL-001094	1	POD-OGL-001110	1
37	Lever ALB N272 02.04.09	N272 02.04.09	1	N272 02.04.09	1
38	Bolt 6 x 20 galv. 8.8 82105 82105 8.8	23S6/20	4	23S6/20	4
39	Bolt 8 x 70 galv. 8.8 82101 82101	23S8/70OC	2	23S8/70OC	2
40	Round washer 6 galv., coated 82030	23P6OC030	8	23P6OC030	8
41	Round washer 8 galv., 82005 82005	23P8OOC	4	23P8OOC	4
42	Round washer 14 galv. 82005 82005	23P14OC	8	23P14OC	8
43	Spring washer 16.3 galv., 82008 82008	23P16SP	8	23P16SP	8

Key:

35* – included in: KNORR braking system of the N272/1-2 with ALB TAURUS CONNECTORS – **POD-OGL-001122**

36* - included in: KNORR braking system KNORR TUV type N ALL-PURPOSE automatic adjustment ALB VALVES without rear connectors – **POD-OGL-001094**

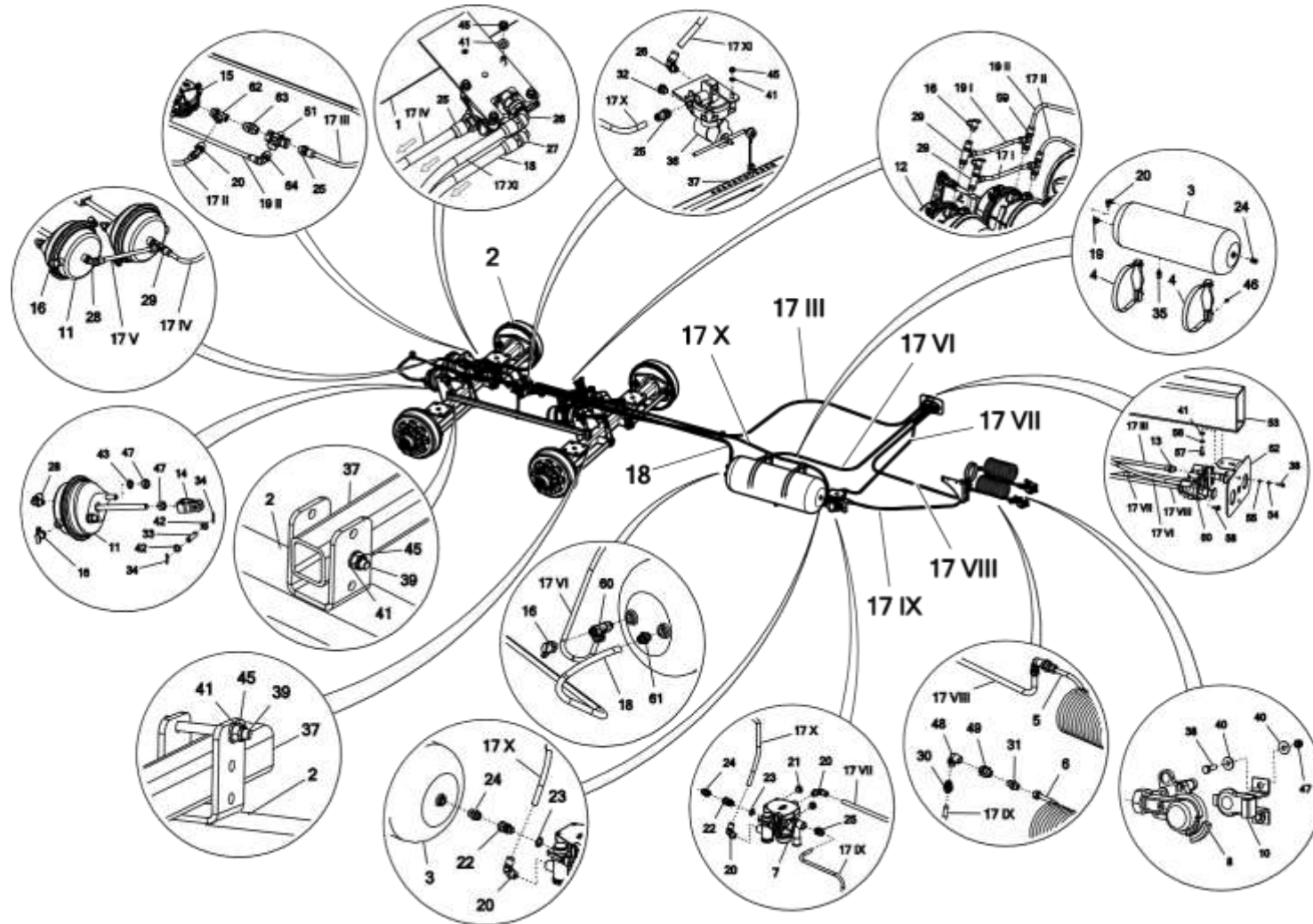
47. PNEUMATIC BRAKING SYSTEM WITH ALB

No.	Part or assembly name	Fig. or index No.			
		N272/1	Number	N272/2	Number
44	Self-locking nut M6 galv., 82175 8 82175 8	23NS6OC	4	23NS6OC	4
45	Self-locking nut M8, galv., 82175 8 82175 8	23NS8OC	4	23NS8OC	4
46	Nut M12 galv. 82144 5	23N12OC	2	23N12OC	2
47	Nut M16 galv. 8.8 82144 5 82144 5	23N16OC	12	23N16OC	12
48*	Elbow 45°M16 x 1.5/dia. 12 (5,401,209,016,155)	POD-OGL-001114	2	POD-OGL-001114	2
49	Pneumatic bulkhead connector z.M22/z.M22/w.M16	POD-PZŁ-000086	2	POD-PZŁ-000086	2

Key:

48* – included in: KNORR braking system of the N272/1-2 spreader, CONNECTORS – **POD-OGL-001114**

48. PNEUMATIC BRAKE SYSTEM WITH ALB AND DIAPHRAGM-SPRING CYLINDERS (KNORR)



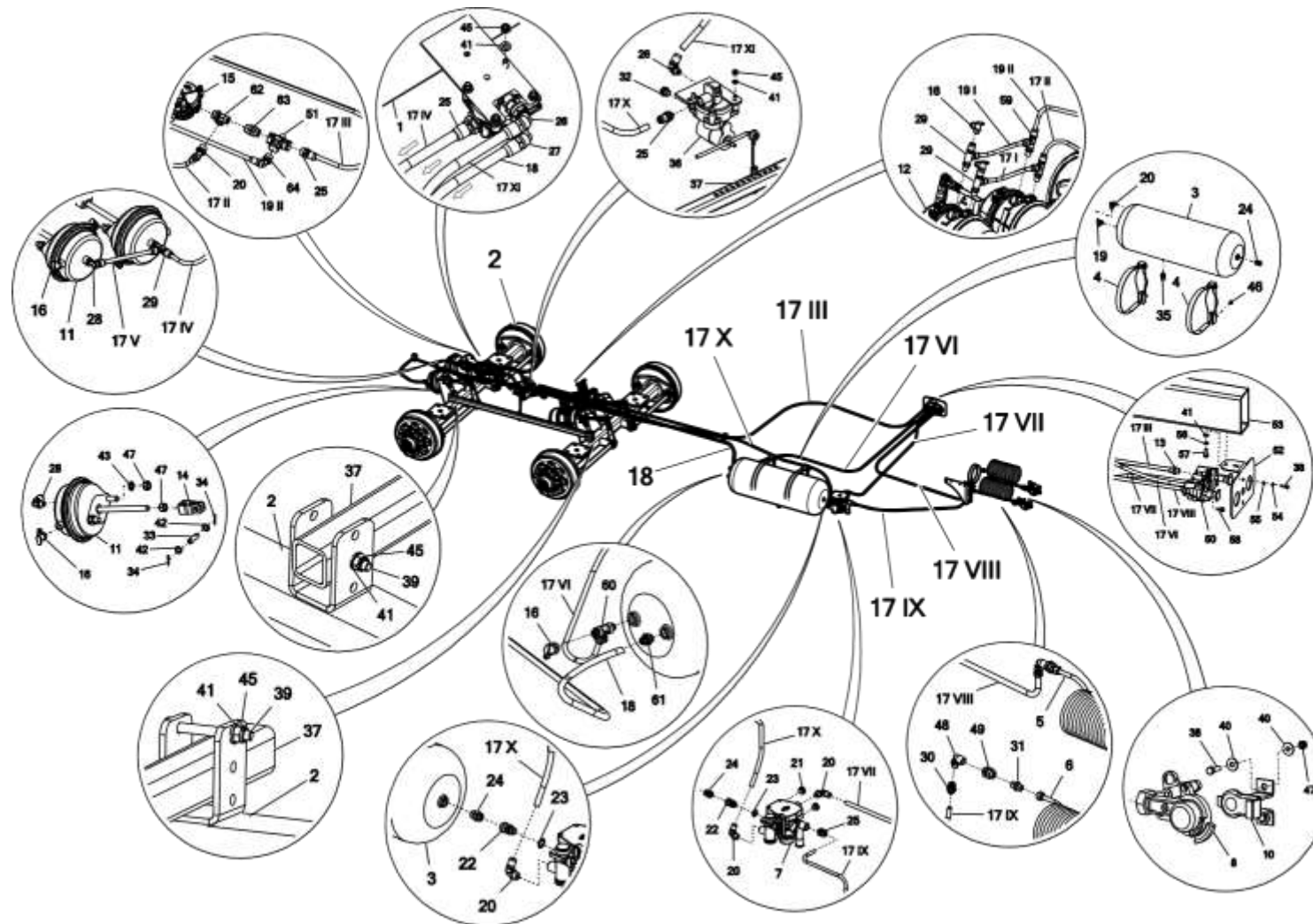
48. PNEUMATIC BRAKE SYSTEM WITH ALB AND DIAPHRAGM-SPRING CYLINDERS (KNORR)

No.	Part or assembly name	Fig. or index No.			
		N272/1	Number	N272/2	Number
1	Bottom frame TAURUS	N272 01.00.00.1	1	N272 01.00.00.1	1
2	Universal axle	N272-3 02.04.00.1	2	N272-3 02.04.00.1	2
3	Air tank 60 l – 276 x 1108 x 1089 902407 KNORR Frauenthal	POD-OGL-001327	1	POD-OGL-001327	1
4	Clamp for air tank 60 l, diam. 310 KNORR	POD-OGL-000785	2	POD-OGL-000785	2
5	HALDEX yellow spiral conduit	POD-OGL-000620	1	POD-OGL-000620	1
6	HALDEX red spiral conduit	POD-OGL-000619	1	POD-OGL-000619	1
7*	KNORR trailer brake valve BREMSE	POD-OGL-001453	1	POD-OGL-001453	1
8*	HALDEX conduit connector, yellow, front		1		1
9*	Hose connector red front HALDEX		1		1
10*	Pneumatic Connector Holder		2		2
11*	Membrane cylinder 24 + short forks KNORR		2		2

Key:

7*- 11* – included in: KNORR braking system AWA timing. N272/1-2 with ALB membr-spr cylinders VALVES+ CONNECTORS – **POD-OGL-001453**

48. PNEUMATIC BRAKE SYSTEM WITH ALB AND DIAPHRAGM-SPRING CYLINDERS (KNORR)

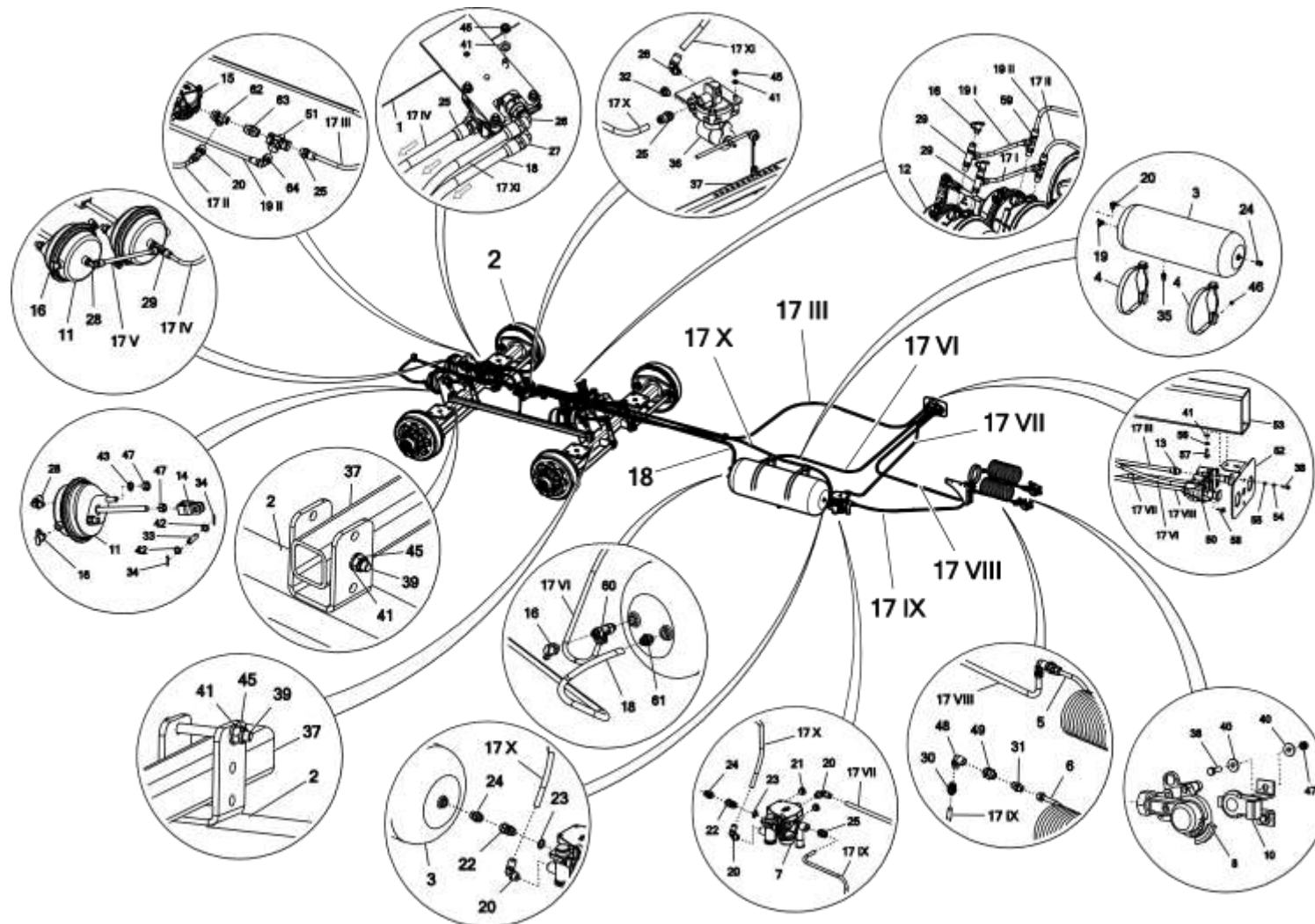


48. PNEUMATIC BRAKE SYSTEM WITH ALB AND DIAPHRAGM-SPRING CYLINDERS (KNORR)

No.	Part or assembly name	Fig. or index No.			
		N272/1	Number	N272/2	Number
12*	Diaphragm spring cylinder 24/30 BX7525 KNORR	POD-OGL-001453	2	POD-OGL-001453	2
13*	Straight M16 x 1.5/dia. 12		4		4
14*	Short forks for membrane cylinder		2		2
15*	Relay valve	POD-OGL-000850 POD-OGL-001453	1	POD-OGL-000850 POD-OGL-001453	1
16*	Pneumatic control connector M16 x 1.5	POD-OGL-001122	4	POD-OGL-001114	4
17 I	Tecalán tube DN12 x 1.5 (20 m)	POD-TSZ-000050	0.5 m	POD-TSZ-000050	0.5 m
17 II			0.8 m		0.8 m
17 III			5.2 m		5.2 m
17 IV			1.6 m		1.6 m
17 V			0.5 m		0.5 m
17 VI			2,5mb		2,5mb
17 VII			1.6 m		1.6 m
17 VIII			2 m		2 m
17 IX			1.5 m		1.5 m
17 x			3.3 m		3.3 m

Key: 12*- 16* – included in: KNORR braking system AWA timing. N272/1-2 with ALB membr-spr cylinders VALVES+ CONNECTORS – **POD-OGL-001453**

48. PNEUMATIC BRAKE SYSTEM WITH ALB AND DIAPHRAGM-SPRING CYLINDERS (KNORR)

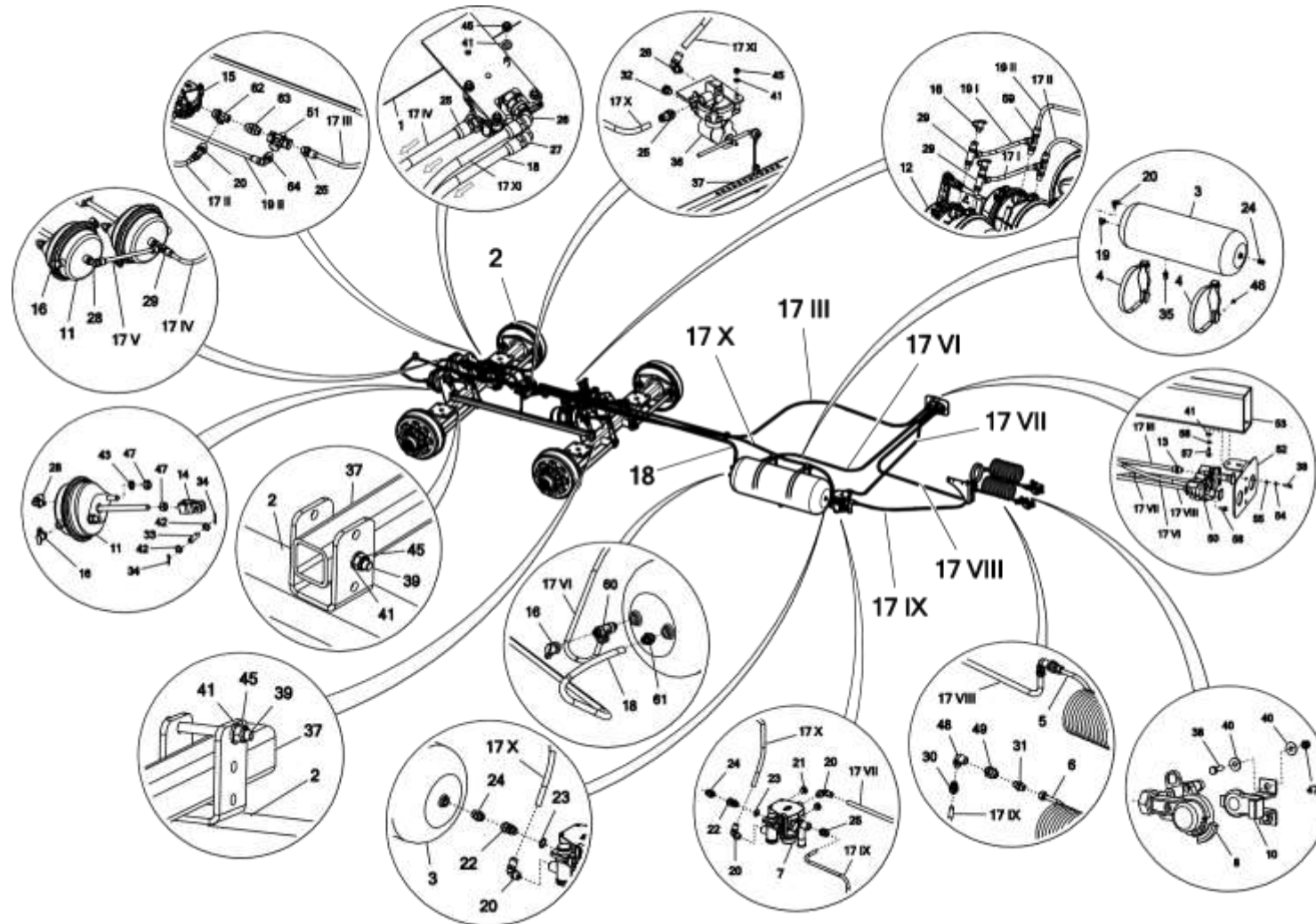


48. PNEUMATIC BRAKE SYSTEM WITH ALB AND DIAPHRAGM-SPRING CYLINDERS (KNORR)

No.	Part or assembly name	Fig. or index No.			
		N272/1	Number	N272/2	Number
17 XI	Tecalan tube DN12 x 1.5 (20 m)	POD-TSZ-000050	0.5 m	POD-TSZ-000050	0.5 m
18	Tecalan tube DN15 x 1.5	POD-TSZ-000051	10 m	POD-TSZ-000051	10 m
19	Tecalan tube DN08	POD-TSZ-000049	1 m	POD-TSZ-000049	1 m
20*	Pneumatic elbow M22-12 x 1.5 TK12	POD-OGL-001453	3	POD-OGL-001453	3
21*	Pneumatic plug M22		2		2
22*	Straight connector 22" ext. – M22 x 1.5 dia. 15 screwed-on	POD-HKR-000041	1	POD-HKR-000041	1
23*	Metal & rubber washer PPM22 30 x 22	24UPPM22	1	24UPPM22	1
24*	Straight coupling, 22 x 22	24K22/22	1	24K22/22	1
25*	Straight connector M22 x 1.5 / diam. 12	POD-OGL-001453	2	POD-OGL-001453	2
26*	Pneumatic elbow M16 TK12		1		1
27*	Pneumatic elbow M22-15 x 1.5 TK15		1		1
28*	Pneumatic elbow M16-12 x 1.5		4		4
29*	T-connection M16 x 1.5/1 x dia. 8/1 x service		2		2
30*	Straight pneumatic connector M16 TK12		4		4
31*	Connector M16xM18		2		2

Key: 20*- 31* – included in: KNORR braking system AWA timing. N272/1-2 with ALB membr-spr cylinders VALVES+ CONNECTORS – **POD-OGL-001453**

48. PNEUMATIC BRAKE SYSTEM WITH ALB AND DIAPHRAGM-SPRING CYLINDERS (KNORR)



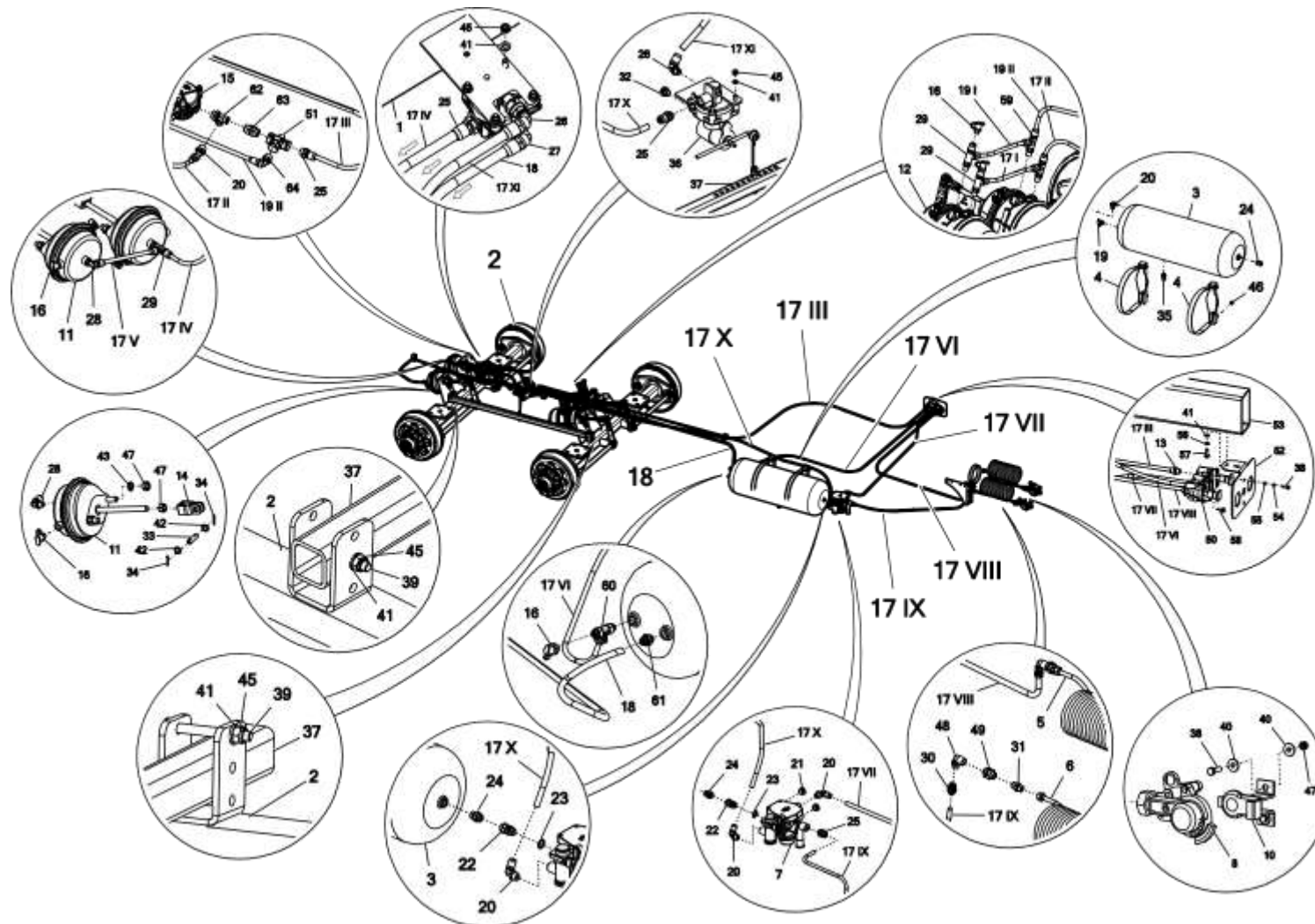
48. PNEUMATIC BRAKE SYSTEM WITH ALB AND DIAPHRAGM-SPRING CYLINDERS (KNORR)

No.	Part or assembly name	Fig. or index No.			
		N272/1	Number	N272/2	Number
30*	Straight pneumatic connector M16 TK12	POD-OGL-001453	4	POD-OGL-001453	4
31*	Connector M16xM18		2		2
32*	Pneumatic plug M16	POD-PZŁ-000036	1	POD-PZŁ-000036	1
33	Cylinder pin	POD-OGL-000637	4	POD-OGL-000637	4
34	Cotter pin Ø4x32		8		8
35*	Drain valve M22 x 1.5 KNORR	POD-OGL-001122	1	POD-OGL-001114	1
36*	Mechanical braking force regulator	POD-OGL-001094	1	POD-OGL-001110	1
37	Lever ALB N272 02.04.09	N272 02.04.09	1	N272 02.04.09	1
38	Bolt 6 x 20 galv. 8.8 82105 82105 8.8	23S6/20	4	23S6/20	4
39	Bolt 8 x 70 galv. 8.8 82101 82101	23S8/70OC	2	23S8/70OC	2
40	Round washer 6 galv., coated 82030	23P6OC030	8	23P6OC030	8
41	Round washer 8 galv., 82005 82005	23P8OOC	4	23P8OOC	4
42	Round washer 14 galv. 82005 82005	23P14OC	8	23P14OC	8
43	Spring washer 16.3 galv., 82008 82008	23P16SP	8	23P16SP	8

Key:

30*, -32*, 35*, 36* – included in: KNORR braking system AWA timing. N272/1-2 with ALB membr-spr cylinders VALVES+ CONNECTORS – **POD-OGL-00145**

48. PNEUMATIC BRAKE SYSTEM WITH ALB AND DIAPHRAGM-SPRING CYLINDERS (KNORR)



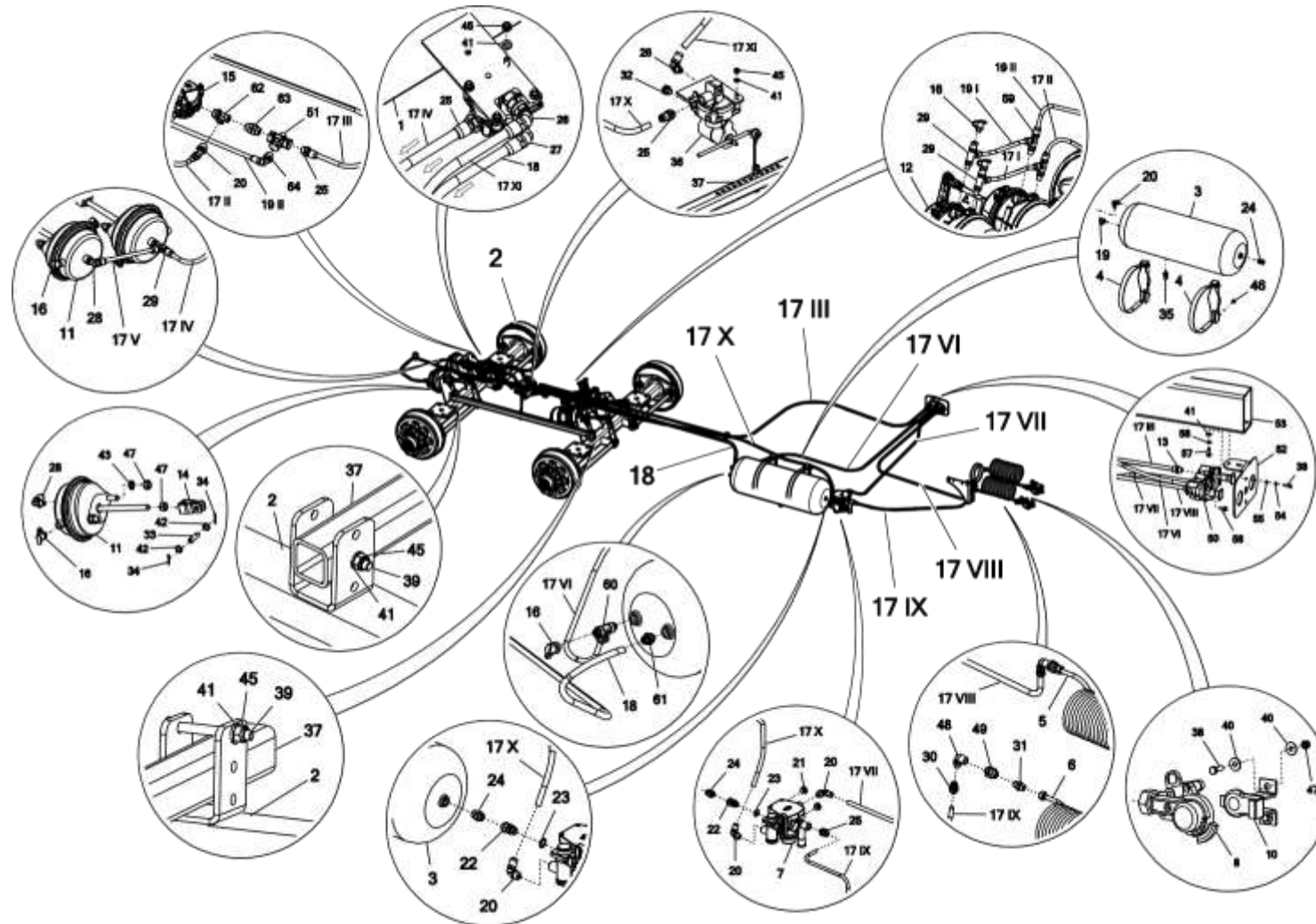
48. PNEUMATIC BRAKE SYSTEM WITH ALB AND DIAPHRAGM-SPRING CYLINDERS (KNORR)

No.	Part or assembly name	Fig. or index No.			
		N272/1	Number	N272/2	Number
44	Self-locking nut M6 galv., 82175 8 82175 8	23NS6OC	4	23NS6OC	4
45	Self-locking nut M8, galv., 82175 8 82175 8	23NS8OC	4	23NS8OC	4
46	Nut M12 galv. 82144 5	23N12OC	2	23N12OC	2
47	Nut M16 galv. 8.8 82144 5 82144 5	23N16OC	12	23N16OC	12
48*	Elbow 45°M16 x 1.5/dia. 12 (5,401,209,016,155)	POD-OGL-001453	2	POD-OGL-001453	2
49	Bulkhead pneumatic coupling ext. M22/ext. M22/int. M16	POD-PZŁ-000086	2	POD-PZŁ-000086	2
50	Parking-lock valve Knorr AE4230	POD-OGL-001038	1	POD-OGL-001038	1
51*	KNORR AE4105 3/2-way valve 200461/ K222104N00 2/3-way valve	POD-OGL-001453	1	POD-OGL-001453	1
52	Brake valve bracket	N272 03.00.18	1	N272 03.00.18	1
53	Body	N272-1 03.01.00.6	1	N272 03.01.00.6	1

Key:

48*51* – included in: KNORR braking system AWA timing. N272/1-2 with ALB membr-spr cylinders VALVES+ CONNECTORS – **POD-OGL-001453**

48. PNEUMATIC BRAKE SYSTEM WITH ALB AND DIAPHRAGM-SPRING CYLINDERS (KNORR)



48. PNEUMATIC BRAKE SYSTEM WITH ALB AND DIAPHRAGM-SPRING CYLINDERS (KNORR)

No.	Part or assembly name	Fig. or index No.			
		N272/1	Number	N272/2	Number
54	Spring washer, 6.1 galv., 82008 82008	23P6SPOC	2	23P6SPOC	2
55	Round washer 6 galv., 82005 82005	23P6OOC	2	23P6OOC	2
56	Spring washer 8.2 galv., 82008 82008	23P8SPOC	2	23P8SPOC	2
57	Bolt 8 x 20 galv. 8.8 82105 82105	23S8/20OC 8.8	2	23S8/20OC 8.8	2
58	Flanged bolt M6 x 16 galv. 5.8 82247	POD-ELZ-000495	4	POD-ELZ-000495	4
59*	T-piece M16 X 1.5/2 X dia. 8	POD-OGL-001453	1	POD-OGL-001453	1
60*	T-piece M22 x 1.5 / 2 x dia. 12		1		1
61*	Straight M22 x 1.5 / dia. 15		1		1
62*	T-connection M22 x M22 x 1,5		1		1
63*	Bulkhead M 22 x M22		1		1
64*	Elbow M22 x 1.5		1		1

Key:

59*- 65* – included in: KNORR braking system AWA timing. N272/1-2 with ALB membr-spr cylinders VALVES+ CONNECTORS – **POD-OGL-001453**

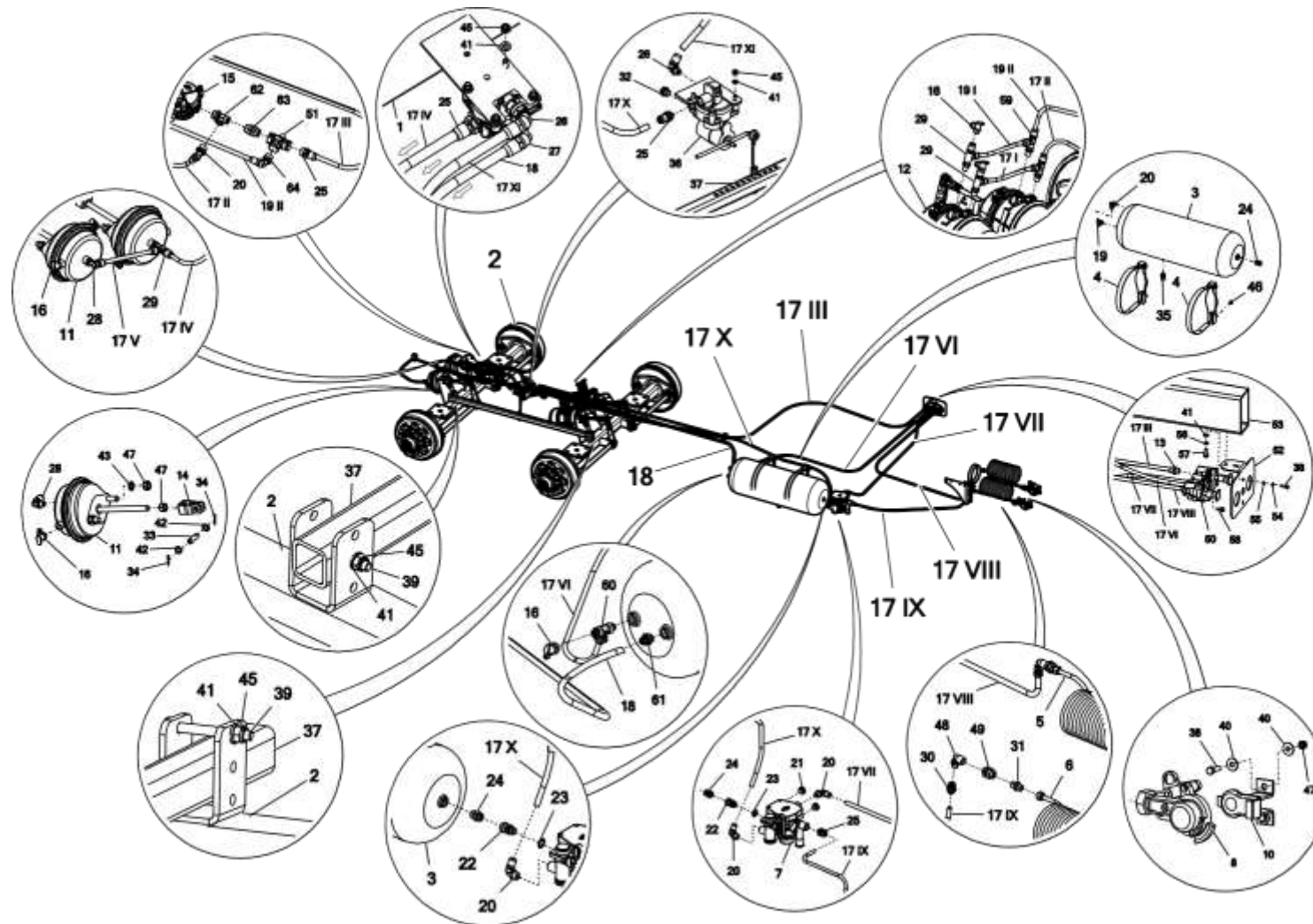
49. PNEUMATIC BRAKE SYSTEM WITH ALB AND DIAPHRAGM-SPRING CYLINDERS (PETOLETKA)

No.	Part or assembly name	Fig. or index No.			
		N272/1	Number	N272/2	Number
1	Bottom frame TAURUS	N272 01.00.00.1	1	N272 01.00.00.1	1
2	Universal axle	N272-3 02.04.00.1	2	N272-3 02.04.00.1	2
3	Air tank 60 l – 276 x 1108 x 1089 902407 KNORR Frauenthal	POD-OGL-001327	1	POD-OGL-001327	1
4	Clamp for air tank 60 l, diam. 310 KNORR	POD-OGL-000785	2	POD-OGL-000785	2
5	HALDEX yellow spiral conduit	POD-OGL-000620	1	POD-OGL-000620	1
6	HALDEX red spiral conduit	POD-OGL-000619	1	POD-OGL-000619	1
7*	Trailer brake valve 5 213 02 700 0	POD-OGL-001453	1	POD-OGL-001453	1
8*	Hose connector yellow front		1		1
9*	Hose connector red front		1		1
10*	Pneumatic Connector Holder		2		2
11*	Membrane cylinder 24 + short forks AWA – service	POD-OGL-000321	2	POD-OGL-000321	2

Key:

7*- 11* – included in: KNORR braking system AWA timing. N272/1-2 with ALB membr-spr cylinders VALVES+ CONNECTORS – **POD-OGL-001453**

49. PNEUMATIC BRAKE SYSTEM WITH ALB AND DIAPHRAGM-SPRING CYLINDERS (PETOLETKA)

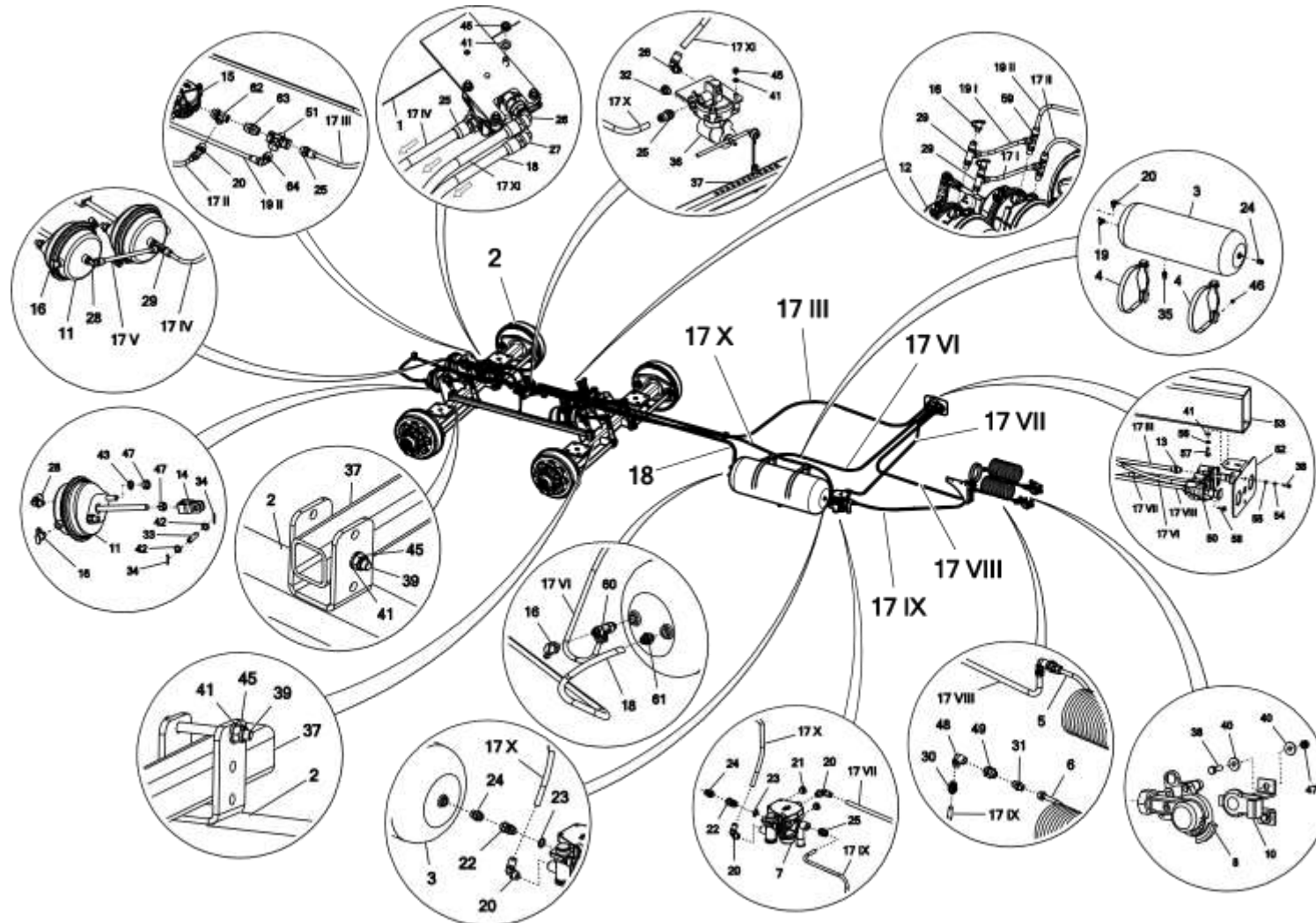


49. PNEUMATIC BRAKE SYSTEM WITH ALB AND DIAPHRAGM-SPRING CYLINDERS (PETOLETKA)

No.	Part or assembly name	Fig. or index No.			
		N272/1	Number	N272/2	Number
12*	Diaphragm spring cylinder 24/30 BX7525 KNORR	POD-OGL-000880	2	POD-OGL-000880	2
13*	Straight M16 x 1.5/dia. 12	POD-OGL-001453	4	POD-OGL-001453	4
14*	Short forks for membrane cylinder		2		2
15*	Acceleration relay valve 5 232 61 030 0 PETOLETKA	POD-OGL-001337	1	POD-OGL-001337	1
16*	Pneumatic control connector M16 x 1.5	POD-OGL-001122	4	POD-OGL-001114	4
17 I	Tecalán tube DN12 x 1.5 (20 m)	POD-TSZ-000050	0.5 m	POD-TSZ-000050	0.5 m
17 II			0.8 m		0.8 m
17 III			5.2 m		5.2 m
17 IV			1.6 m		1.6 m
17 V			0.5 m		0.5 m
17 VI			2,5mb		2,5mb
17 VII			1.6 m		1.6 m
17 VIII			2 m		2 m
17 IX			1.5 m		1.5 m
17 x			3.3 m		3.3 m

Key: 12*- 16* – included in: KNORR braking system AWA timing. N272/1-2 with ALB membr-spr cylinders VALVES+ CONNECTORS – **POD-OGL-001453**

49. PNEUMATIC BRAKE SYSTEM WITH ALB AND DIAPHRAGM-SPRING CYLINDERS (PETOLETKA)

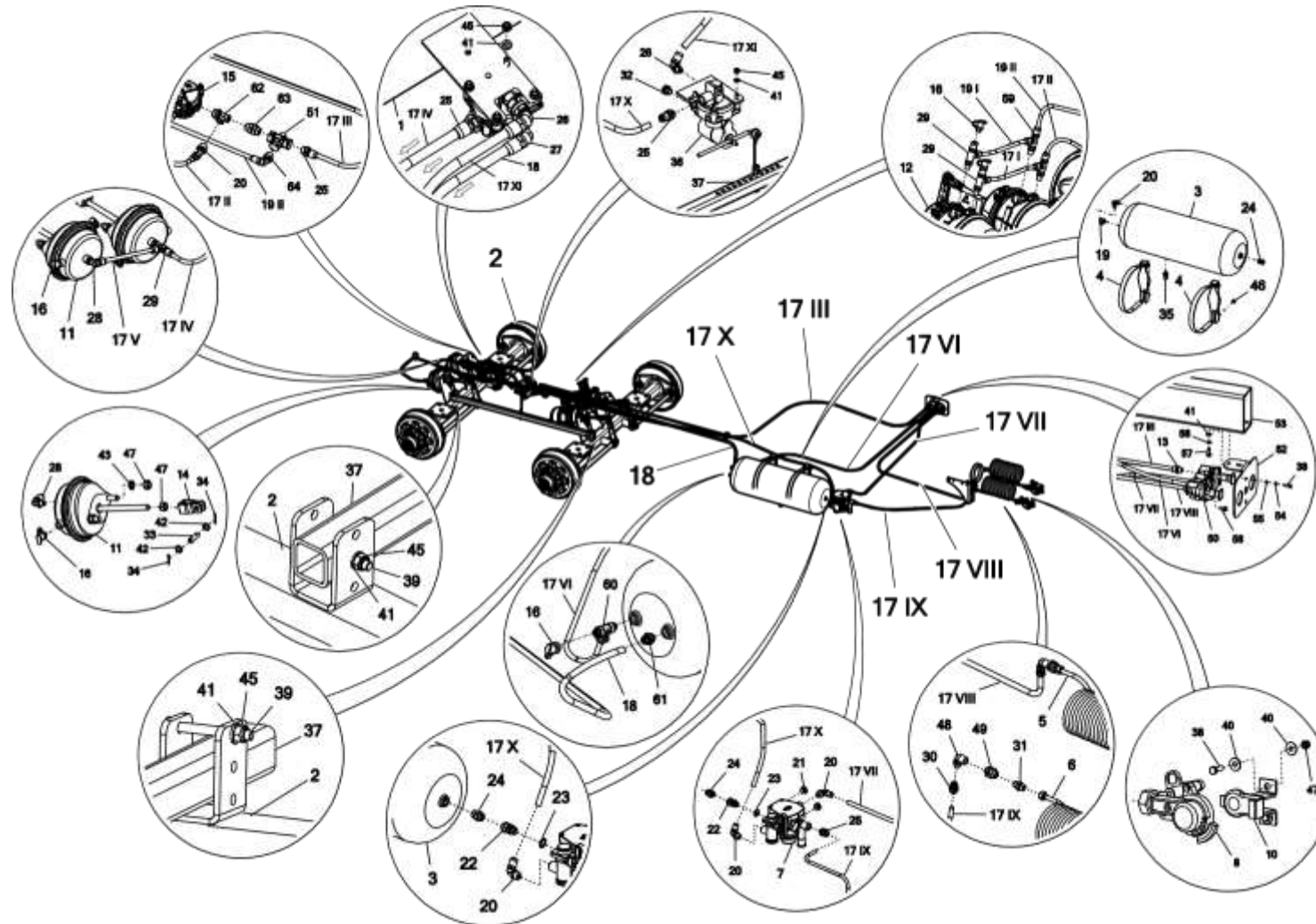


49. PNEUMATIC BRAKE SYSTEM WITH ALB AND DIAPHRAGM-SPRING CYLINDERS (PETOLETKA)

No.	Part or assembly name	Fig. or index No.			
		N272/1	Number	N272/2	Number
17 XI	Tecalan tube DN12 x 1.5 (20 m)	POD-TSZ-000050	0.5 m	POD-TSZ-000050	0.5 m
18	Tecalan tube DN15 x 1.5	POD-TSZ-000051	10 m	POD-TSZ-000051	10 m
19	Tecalan tube DN08	POD-TSZ-000049	1 m	POD-TSZ-000049	1 m
20*	Pneumatic elbow M22-12 x 1.5 TK12	POD-OGL-001453	3	POD-OGL-001453	3
21*	Pneumatic plug M22		2		2
22*	Straight connector 22" ext. – M22 x 1.5 dia. 15 screwed-on	POD-HKR-000041	1	POD-HKR-000041	1
23*	Metal & rubber washer PPM22 30 x 22	24UPPM22	1	24UPPM22	1
24*	Straight coupling, 22 x 22	24K22/22	1	24K22/22	1
25*	Straight connector M22 x 1.5 / diam. 12	POD-OGL-001453	2	POD-OGL-001453	2
26*	Pneumatic elbow M16 TK12		1		1
27*	Pneumatic elbow M22-15 x 1.5 TK15		1		1
28*	Pneumatic elbow M16-12 x 1.5		4		4
29*	T-connection M16 x 1.5/1 x dia. 8/1 x service		2		2
30*	Straight pneumatic connector M16 TK12		4		4
31*	Connector M16xM18		2		2

Key: 20*- 31* – included in: KNORR braking system AWA timing. N272/1-2 with ALB membr-spr cylinders VALVES+ CONNECTORS – **POD-OGL-001453**

49. PNEUMATIC BRAKE SYSTEM WITH ALB AND DIAPHRAGM-SPRING CYLINDERS (PETOLETKA)



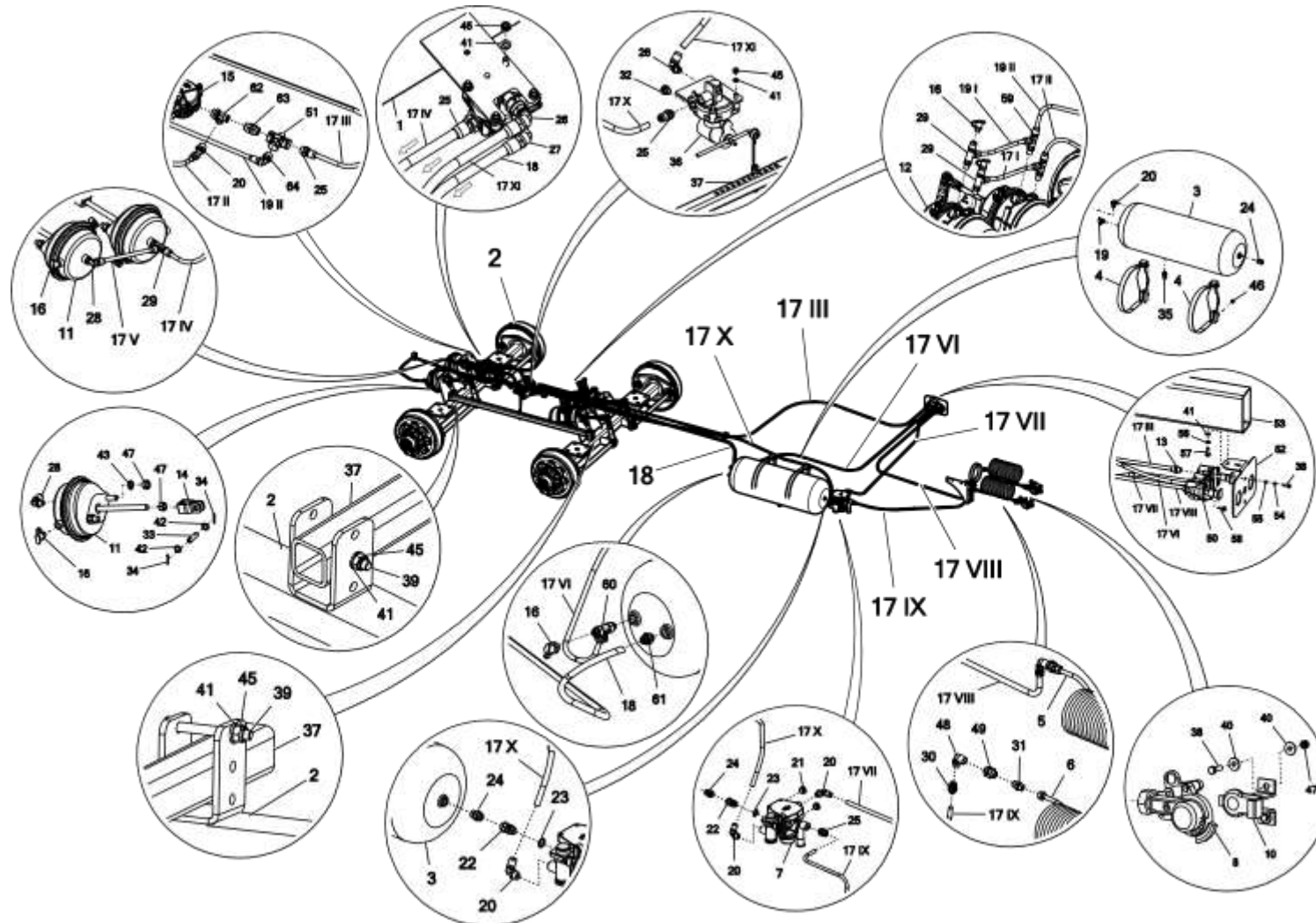
49. PNEUMATIC BRAKE SYSTEM WITH ALB AND DIAPHRAGM-SPRING CYLINDERS (PETOLETKA)

No.	Part or assembly name	Fig. or index No.			
		N272/1	Number	N272/2	Number
30*	Straight pneumatic connector M16 TK12	POD-OGL-001453	4	POD-OGL-001453	4
31*	Connector M16xM18		2		2
32*	Pneumatic plug M16	POD-PZŁ-000036	1	POD-PZŁ-000036	1
33	Cylinder pin	POD-OGL-000637	4	POD-OGL-000637	4
34	Cotter pin Ø4x32		8		8
35*	Drain Valve M22 x 1.5	POD-OGL-001122	1	POD-OGL-001114	1
36*	ALB Valve 5 223 21 500 0	POD-OGL-001453	1	POD-OGL-001453	1
37	Lever ALB N272 02.04.09	N272 02.04.09	1	N272 02.04.09	1
38	Bolt 6 x 20 galv. 8.8 82105 82105 8.8	23S6/20	4	23S6/20	4
39	Bolt 8 x 70 galv. 8.8 82101 82101	23S8/70OC	2	23S8/70OC	2
40	Round washer 6 galv., coated 82030	23P6OC030	8	23P6OC030	8
41	Round washer 8 galv., 82005 82005	23P8OOC	4	23P8OOC	4
42	Round washer 14 galv. 82005 82005	23P14OC	8	23P14OC	8
43	Spring washer 16.3 galv., 82008 82008	23P16SP	8	23P16SP	8

Key:

30*, -32*, 35*, 36* – included in: KNORR braking system AWA timing. N272/1-2 with ALB membr-spr cylinders VALVES+ CONNECTORS – **POD-OGL-001453**

49. PNEUMATIC BRAKE SYSTEM WITH ALB AND DIAPHRAGM-SPRING CYLINDERS (PETOLETKA)



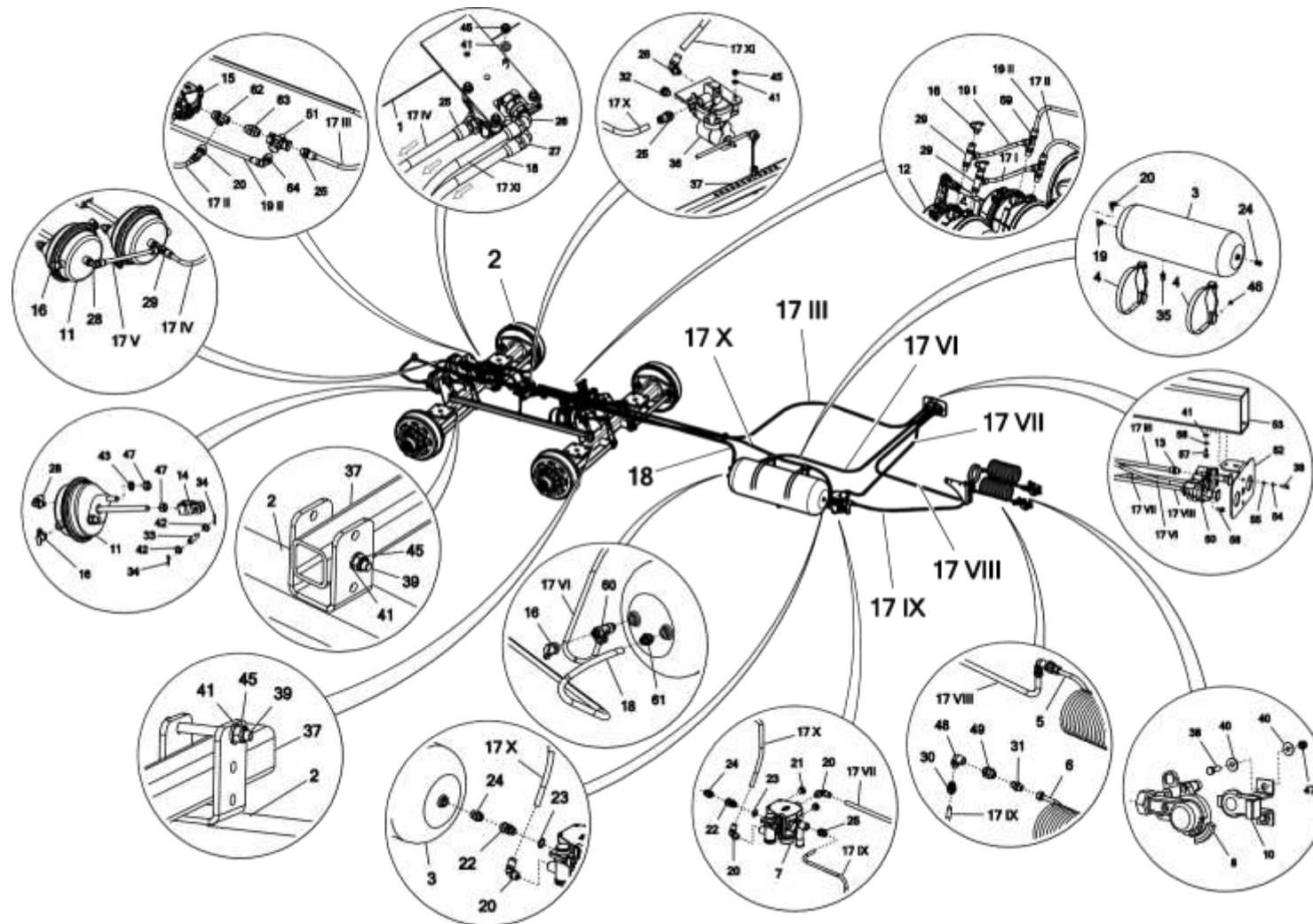
49. PNEUMATIC BRAKE SYSTEM WITH ALB AND DIAPHRAGM-SPRING CYLINDERS (PETOLETKA)

No.	Part or assembly name	Fig. or index No.			
		N272/1	Number	N272/2	Number
44	Self-locking nut M6 galv., 82175 8 82175 8	23NS6OC	4	23NS6OC	4
45	Self-locking nut M8, galv., 82175 8 82175 8	23NS8OC	4	23NS8OC	4
46	Nut M12 galv. 82144 5	23N12OC	2	23N12OC	2
47	Nut M16 galv. 8.8 82144 5 82144 5	23N16OC	12	23N16OC	12
48*	Elbow 45°M16 x 1.5/dia. 12 (5,401,209,016,155)	POD-OGL-001453	2	POD-OGL-001453	2
49	Bulkhead pneumatic coupling ext. M22/ext. M22/int. M16	POD-PZŁ-000086	2	POD-PZŁ-000086	2
50	Parking-lock valve Knorr AE4230	POD-OGL-001038	1	POD-OGL-001038	1
51*	KNORR AE4105 3/2-way valve 200461/ K222104N00 2/3-way valve	POD-OGL-001453	1	POD-OGL-001453	1
52	Brake valve bracket	N272 03.00.18	1	N272 03.00.18	1
53	Body	N272-1 03.01.00.6	1	N272 03.01.00.6	1

Key:

48*51* – included in: KNORR braking system AWA timing. N272/1-2 with ALB membr-spr cylinders VALVES+ CONNECTORS – **POD-OGL-001453**

49. PNEUMATIC BRAKE SYSTEM WITH ALB AND DIAPHRAGM-SPRING CYLINDERS (PETOLETKA)



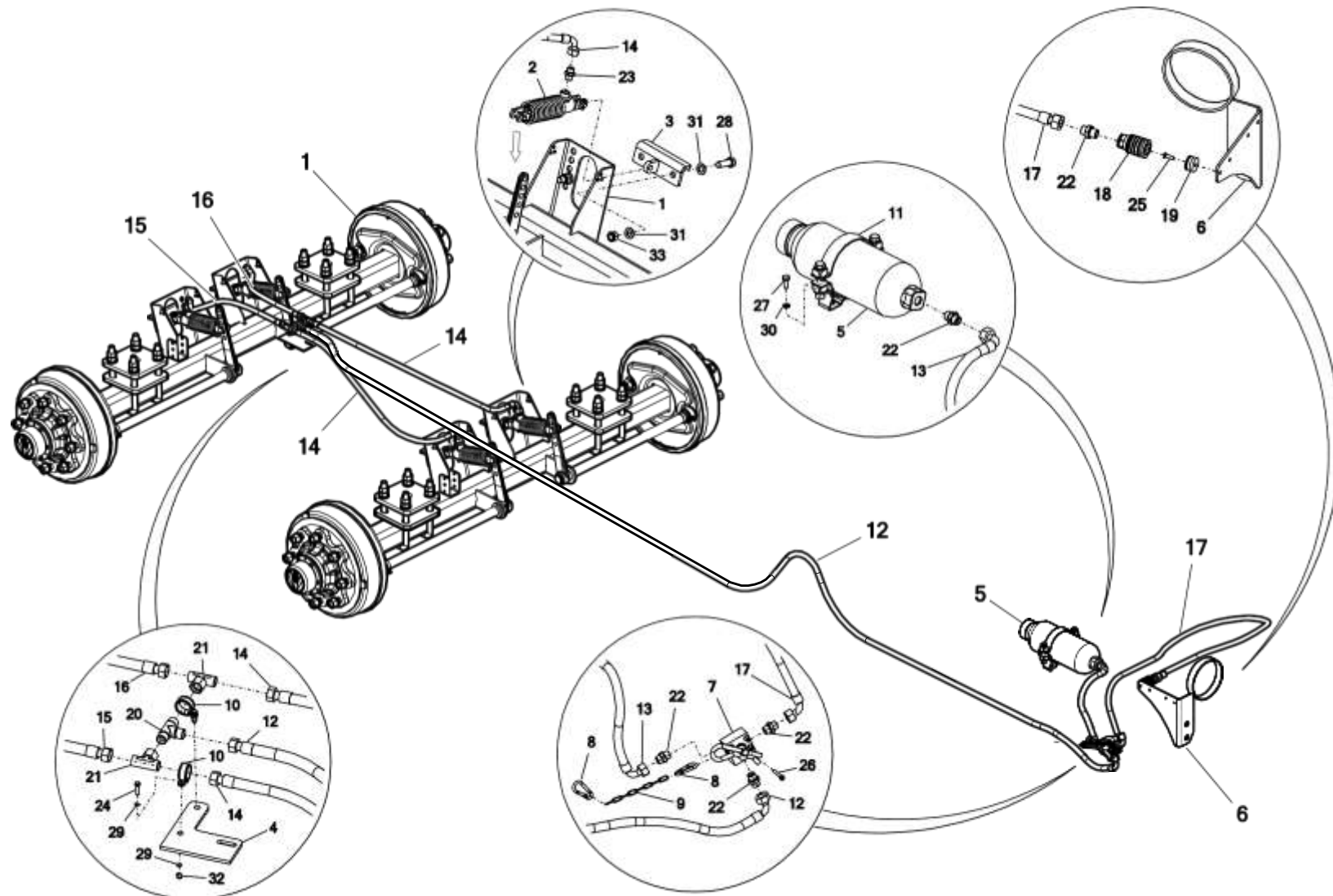
49. PNEUMATIC BRAKE SYSTEM WITH ALB AND DIAPHRAGM-SPRING CYLINDERS (PETOLETKA)

No.	Part or assembly name	Fig. or index No.			
		N272/1	Number	N272/2	Number
54	Spring washer, 6.1 galv., 82008 82008	23P6SPOC	2	23P6SPOC	2
55	Round washer 6 galv., 82005 82005	23P6OOC	2	23P6OOC	2
56	Spring washer 8.2 galv., 82008 82008	23P8SPOC	2	23P8SPOC	2
57	Bolt 8 x 20 galv. 8.8 82105 82105	23S8/20OC 8.8	2	23S8/20OC 8.8	2
58	Flanged bolt M6 x 16 galv. 5.8 82247	POD-ELZ-000495	4	POD-ELZ-000495	4
59*	T-piece M16 X 1.5/2 X dia. 8	POD-OGL-001453	1	POD-OGL-001453	1
60*	T-piece M22 x 1.5 / 2 x dia. 12		1		1
61*	Straight M22 x 1.5 / dia. 15		1		1
62*	T-connection M22 x M22 x 1,5		1		1
63*	Bulkhead M 22 x M22		1		1
64*	Elbow M22 x 1.5		1		1

Key:

59*- 65* – included in: KNORR braking system AWA timing. N272/1-2 with ALB membr-spr cylinders VALVES+ CONNECTORS – **POD-OGL-001453**

50. HYDRAULIC BRAKE SYSTEM



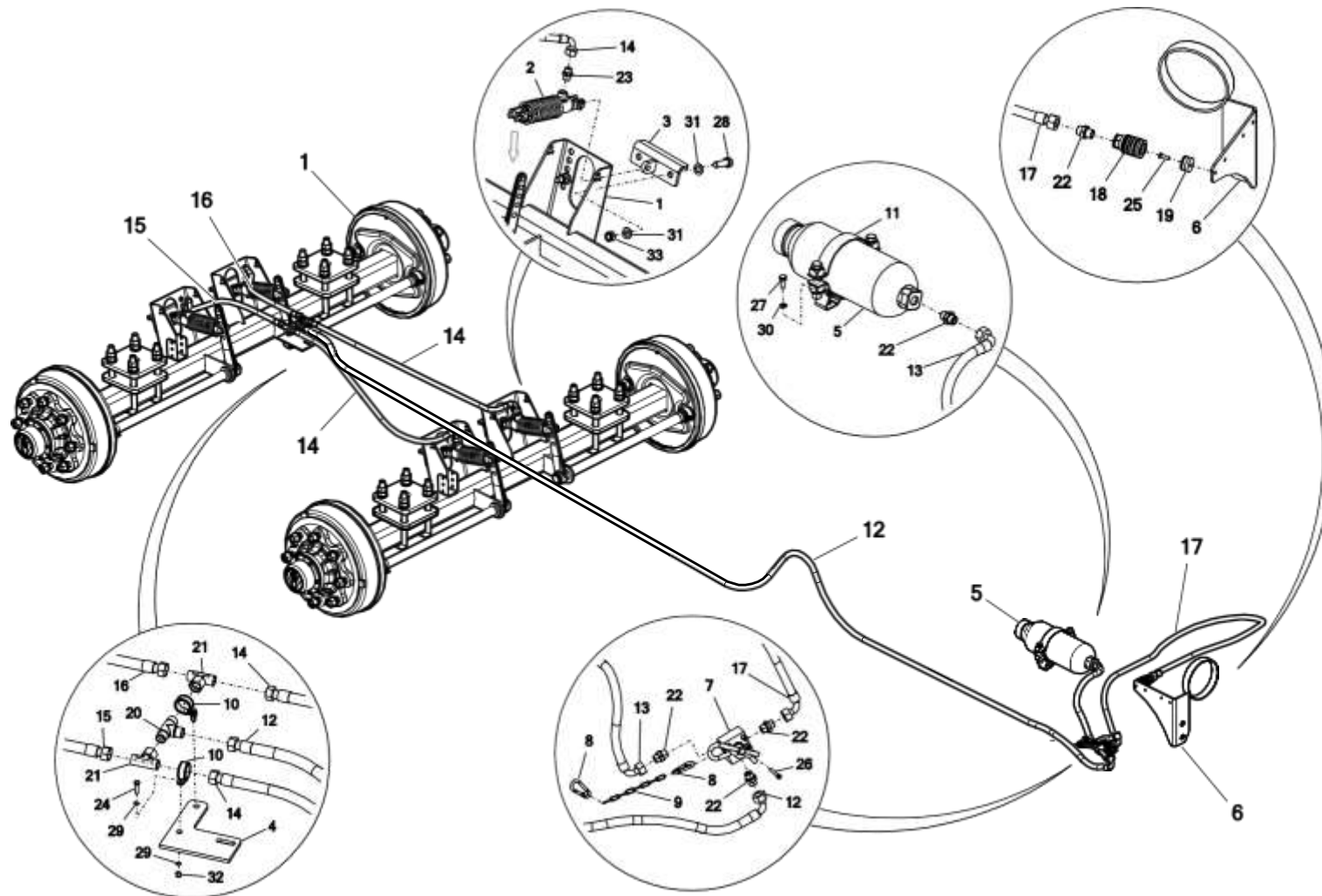
50. HYDRAULIC BRAKE SYSTEM

No.	Part or assembly name	Fig. or index No.			
		N272/1	Number	N272/2	Number
1	Universal axle	N272-3 02.04.00.1	2	N272-3 02.04.00.1	2
2	Cylinder 813102	POD-OGI-000809	4	POD-OGI-000809	4
3	Hydraulic brake actuator adapter	N272-6 02.08.00	4	N272-6 02.08.00	4
4*	ALB valve mounting	N272 01.00.29.1	1	N272 01.00.29.1	1
5	Brakes - hydraulic battery 1,5 l – 100 bar	POD-HPZ-000114	1	POD-HPZ-000114	1
6	Wiring support	N272 01.08.00	1	N272 01.08.00	1
7	Emergency valve, brake system, 900409	POD-HPZ-000118	1	POD-HPZ-000118	1
8	Snap hook with nuts, diam. 6 mm galv.	POD-ELZ-000484	2	POD-ELZ-000484	2
9	Clamping chain diam. 2 mm	25LS	1	25LS	1
10	Band clip with rubber P-CLIP 25x12	POD-OGI-000179	2	POD-OGI-000179	2
11	Brakes - battery clamping 0.75 L and 1.5 L	POD-HPZ-000116	1	POD-HPZ-000116	1
12	Hydraulic hose AA90/211/10 L-4300	POD-HPR-000490	1	POD-HPR-000490	1
13	Hydraulic hose AA90/211/10 L-300		1		1
14	Hydraulic hose AA90/211/10 L-1000		2		2

Key:

4* - inseparable part of the bottom frame - **N272 01.00.00.1**

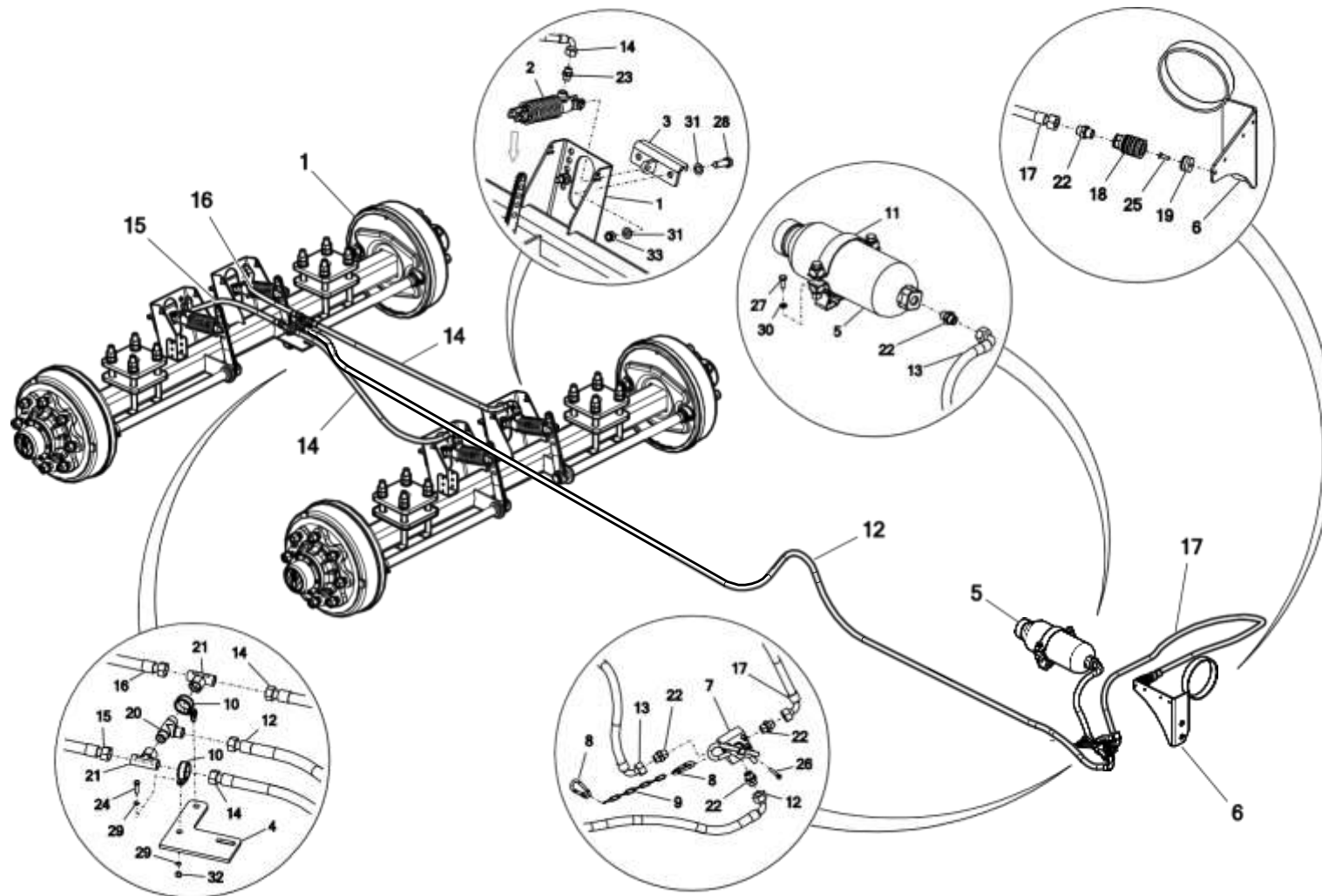
50. HYDRAULIC BRAKE SYSTEM



50. HYDRAULIC BRAKE SYSTEM

No.	Part or assembly name	Fig. or index No.			
		N272/1	Number	N272/2	Number
15	Hydraulic hose AA90/211/10 L-1250	POD-HPR-000490	1	POD-HPR-000490	1
16	Hydraulic hose AA90/211/10 L-1500		1		1
17	Hydraulic hose AA90/211/10 L-2000		1		1
18	Quick release coupling 900410 (21001462)	POD-HPZ-000117	1	POD-HPZ-000117	1
19	Quick release coupling base		1		1
20	T-connector 18 × 18 × 18 12L	24KT18/18/18	1	24KT18/18/18	1
21	T-connector 18 x 18 x 18-1.5 with a top nut	POD-HKR-000002-1	2	POD-HKR-000002-1	2
22	Straight coupling 18 × 18 - 1.5	POD-HKR-000040	5	POD-HKR-000040	5
23	Straight coupling 3/8 x 18-1.5 12LR	24KP3/8 18	4	24KP3/8 18	4
24	Bolt 5 x 20 galv. 8.8 82105	POD-ELZ-000645	2	POD-ELZ-000645	2
25	Screw 6 x 20 galv. 8.2208	23W6/20OC	1	23W6/20OC	1
26	Allen bolt 6 x 50 galv. 8.8 82302	POD-ELZ-000752	2	POD-ELZ-000752	2
27	Bolt 8 x 20 galv. 8.8 82105 82105	23S8/20OC 8.8	2	23S8/20OC 8.8	2

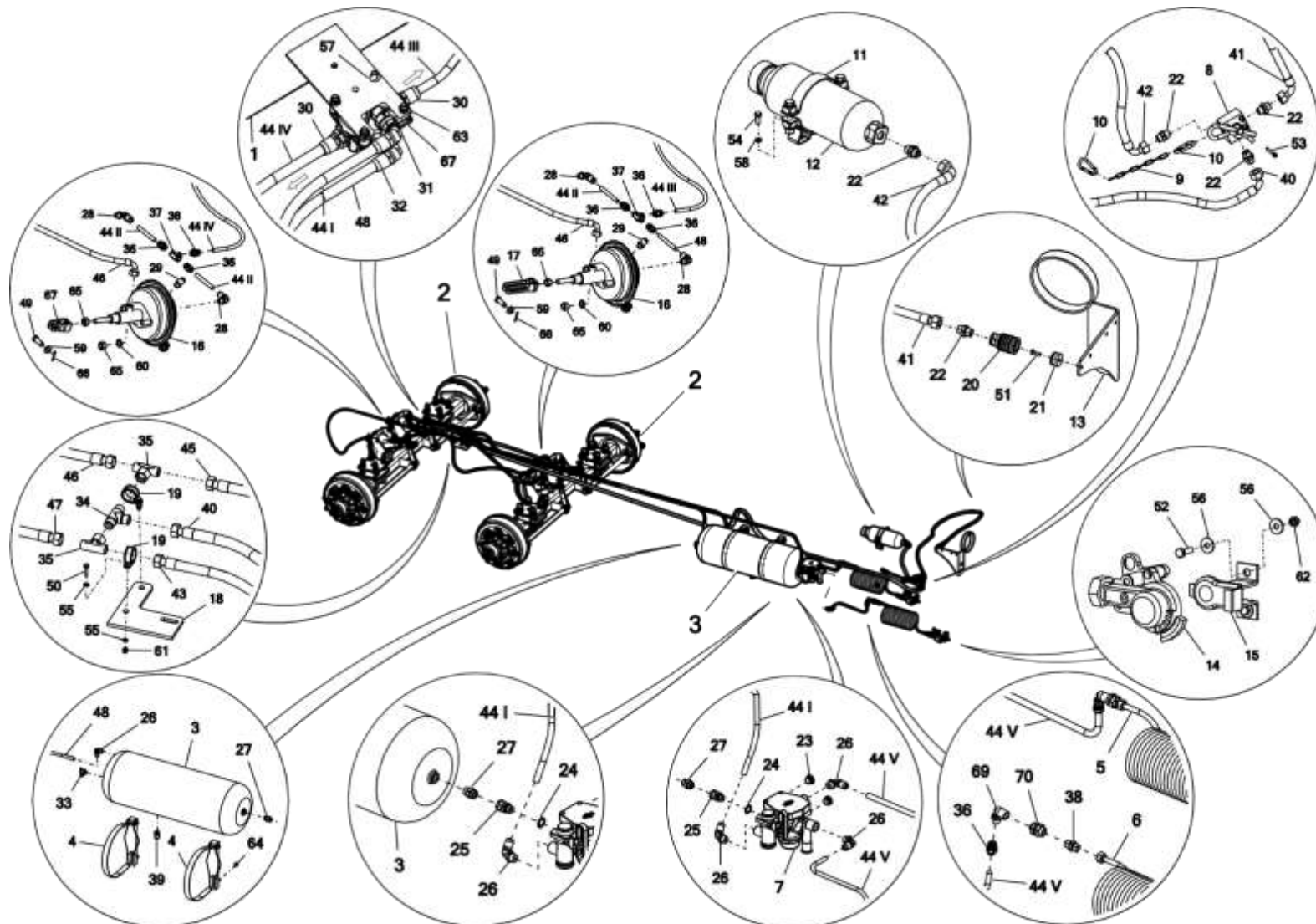
50. HYDRAULIC BRAKE SYSTEM



50. HYDRAULIC BRAKE SYSTEM

No.	Part or assembly name	Fig. or index No.			
		N272/1	Number	N272/2	Number
28	Bolt 16 x 45 galv. 8.8 82105 82105	23S16/45OC	8	23S16/45OC	8
29	Round washer, 5.3 galv. 82005 82005	23P5,3OC 82005	4	23P5,3OC 82005	4
30	Spring washer 8.2 galv., 82008 82008	23P8SPOC	2	23P8SPOC	2
31	Round washer 16 galv., 82005 82005	23P16OOC	16	23P16OOC	16
32	Self-locking nut M5 galv. 82175 8	POD-ELZ-000471	32	POD-ELZ-000471	32
33	Self locking nut M16, galv., 82175 8 82175 8	23NS16OC	8	23NS16OC	8

51. HYDRAULIC-PNEUMATIC BRAKING SYSTEM



51. HYDRAULIC-PNEUMATIC BRAKING SYSTEM

No.	Part or assembly name	Fig. or index No.			
		N272/1	Number	N272/2	Number
1	Bottom frame TAURUS	N272 01.00.00.1	1	N272 01.00.00.1	1
2	Universal axle	N272-3 02.04.00.1	2	N272-3 02.04.00.1	2
3	Air tank 60 l, diam. 276 KNORR	POD-OGL-000632	1	POD-OGL-000632	1
4	Clamp for air tank 60 l, diam. 276 KNORR	POD-OGL-000633	2	POD-OGL-000633	2
5	HALDEX yellow spiral conduit	POD-OGL-000620	1	POD-OGL-000620	1
6	HALDEX red spiral conduit	POD-OGL-000619	1	POD-OGL-000619	1
7*	KNORR trailer brake valve BREMSE	POD-OGL-001098	1	POD-OGL-001098	1
8	Emergency valve, brake system, 900409 (21003208)	POD-HPZ-000118	1	POD-HPZ-000118	1
9	Clamping chain diam. 2 mm	25LS	1	25LS	1
10	Snap hook with nuts diam. 6 mm galv.	POD-ELZ-000484	2	POD-ELZ-000484	2
11	Brakes - battery clamping 0.75 L and 1.5 L (21001623)	POD-HPZ-000116	1	POD-HPZ-000116	1
12*	Brakes - hydraulic battery 1.5 l (21001971) 100 bars	POD-HPZ-000114	1	POD-HPZ-000114	1

Key:

7* – Brake system. KNORR type N UNIVERSAL manual adjust. valves without back ports – **POD-OGL-001098**

12* – Brake system. of the N272/1-2 spreader, CONNECTORS – **POD-OGL-001114**

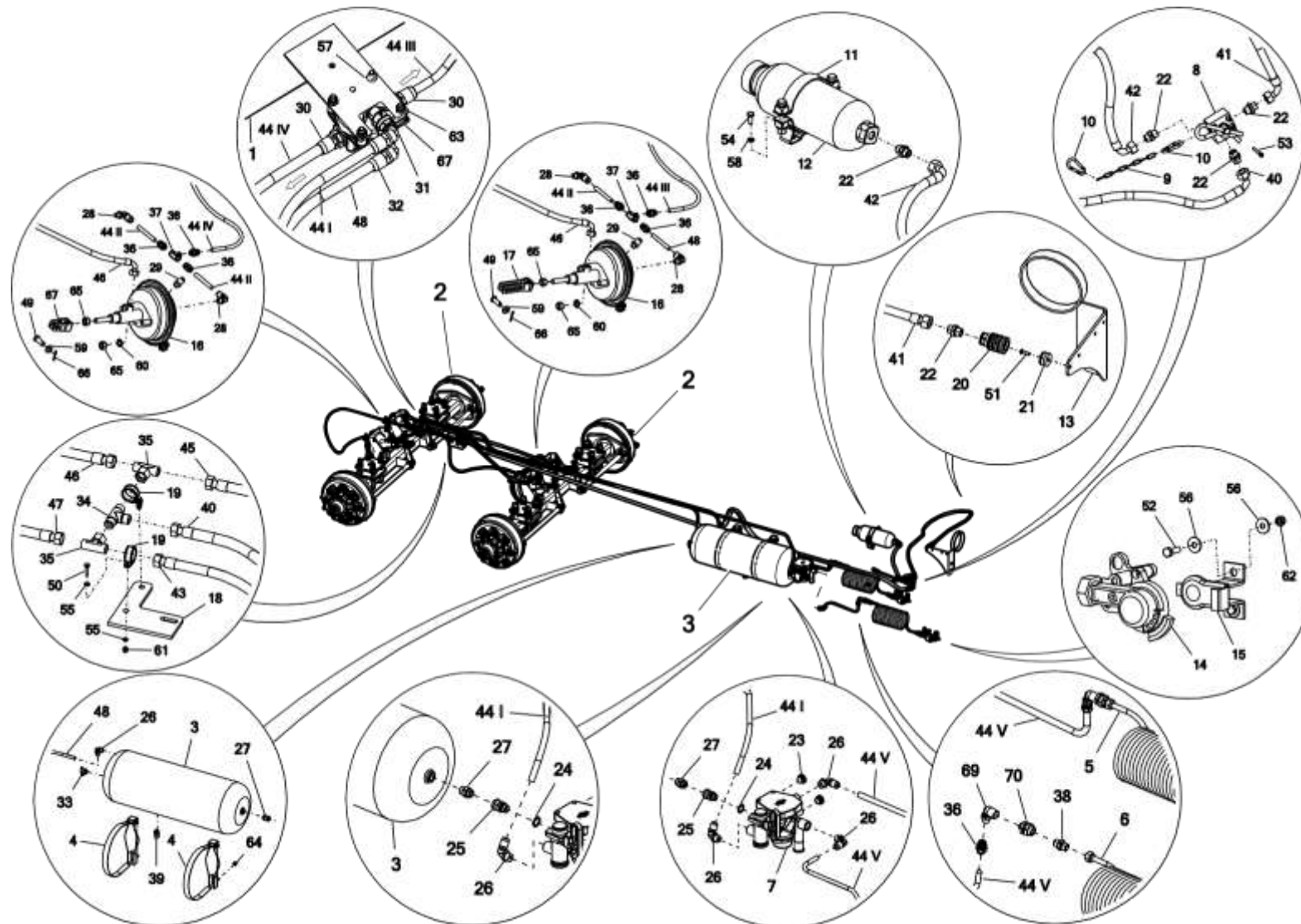
51. HYDRAULIC-PNEUMATIC BRAKING SYSTEM

No.	Part or assembly name	Fig. or index No.			
		N272/1	Number	N272/2	Number
13	Wiring support	N272 01.08.00	1	N272 01.08.00	1
14	Hose connector red front HALDEX	POD-OGL-000624	2	POD-OGL-000624	2
15	Pneumatic Connector Holder	POD-OGL-000573	2	POD-OGL-000573	2
16	Hydraulic and pneumatic cylinder 24 BCDT2425 66782000415	POD-OGL-000904	4	POD-OGL-000904	4
17	Diaphragm actuator fork long HALDEX/KNORR	POD-OGL-000615	4	POD-OGL-000615	4
18*	ALB valve mounting	N272 01.00.29.1	1	N272 01.00.29.1	1
19	Band clip with rubber P-CLIP 25x12	POD-OGL-000179	2	POD-OGL-000179	2
20	Quick release coupling 900410 (21001462)	POD-HPZ-000117	1	POD-HPZ-000117	1
21	Quick release coupling base		1		1
22	Straight coupling 18 × 18 - 1.5	POD-HKR-000040	5	POD-HKR-000040	5
23	Pneumatic plug M22	POD-PZŁ-000037	2	POD-PZŁ-000037	2
24	Metal & rubber washer PPM22 30 x 22	24UPPM22	1	24UPPM22	1
25	Straight connector 22" ext. – M22 x 1.5 dia. 15 screwed-on	POD-HKR-000041	1	POD-HKR-000041	1

Key:

18* - inseparable part of the bottom frame - **N272 01.00.00.1**

51. HYDRAULIC-PNEUMATIC BRAKING SYSTEM



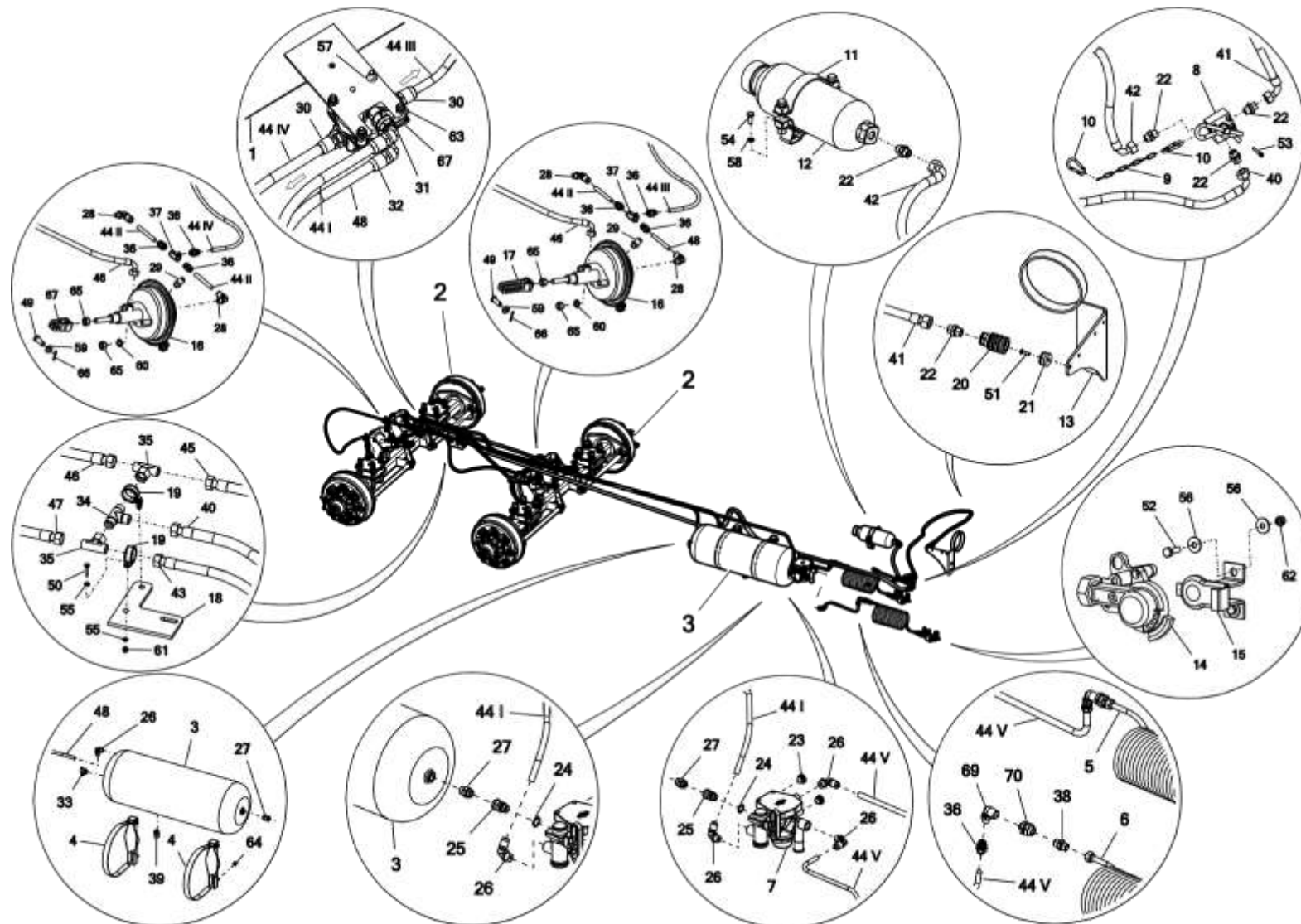
51. HYDRAULIC-PNEUMATIC BRAKING SYSTEM

No.	Part or assembly name	Fig. or index No.			
		N272/1	Number	N272/2	Number
26*	Pneumatic elbow M22-12 x 1.5 TK12	POD-OGL-001114	2	POD-OGL-001114	2
27	Straight coupling, 22 x 22	24K22/22	1	24K22/22	1
28	Pneumatic elbow M16-12 x 1.5	POD-PZŁ-000015	4	POD-PZŁ-000015	4
29	Pneumatic control connector M16 x 1.5	POD-PZŁ-000039	4	POD-PZŁ-000039	4
30*	Straight connector M22 x 1.5 / diam. 15	POD-OGL-001114	2	POD-OGL-001114	2
31*	Pneumatic elbow M16 TK15		1		1
32*	Pneumatic elbow M22-15 x 1.5 TK15		1		1
33	Pneumatic control connector M22 x 1.5	POD-OGL-000069	1	POD-OGL-000069	1
34	T-connector 18 x 18 x 18 12L	24KT18/18/18	1	24KT18/18/18	1
35	T-connector 18 x 18 x 18-1.5 with a top nut	POD-HKR-000002-1	2	POD-HKR-000002-1	2
36*	Straight pneumatic connector M16 TK12	POD-OGL-001114	4	POD-OGL-001114	4
37*	T-piece M16 x 3		2		2
38*	Straight pneumatic connector M16 TK15		4		4
39	Drain valve M22 x 1.5 KNORR	POD-OGL-000634	1	POD-OGL-000634	1

Key:

26*, 30* - 32*, 36* - 38* – Brake system. of the N272/1-2 spreader, CONNECTORS – **POD-OGL-001114**

51. HYDRAULIC-PNEUMATIC BRAKING SYSTEM



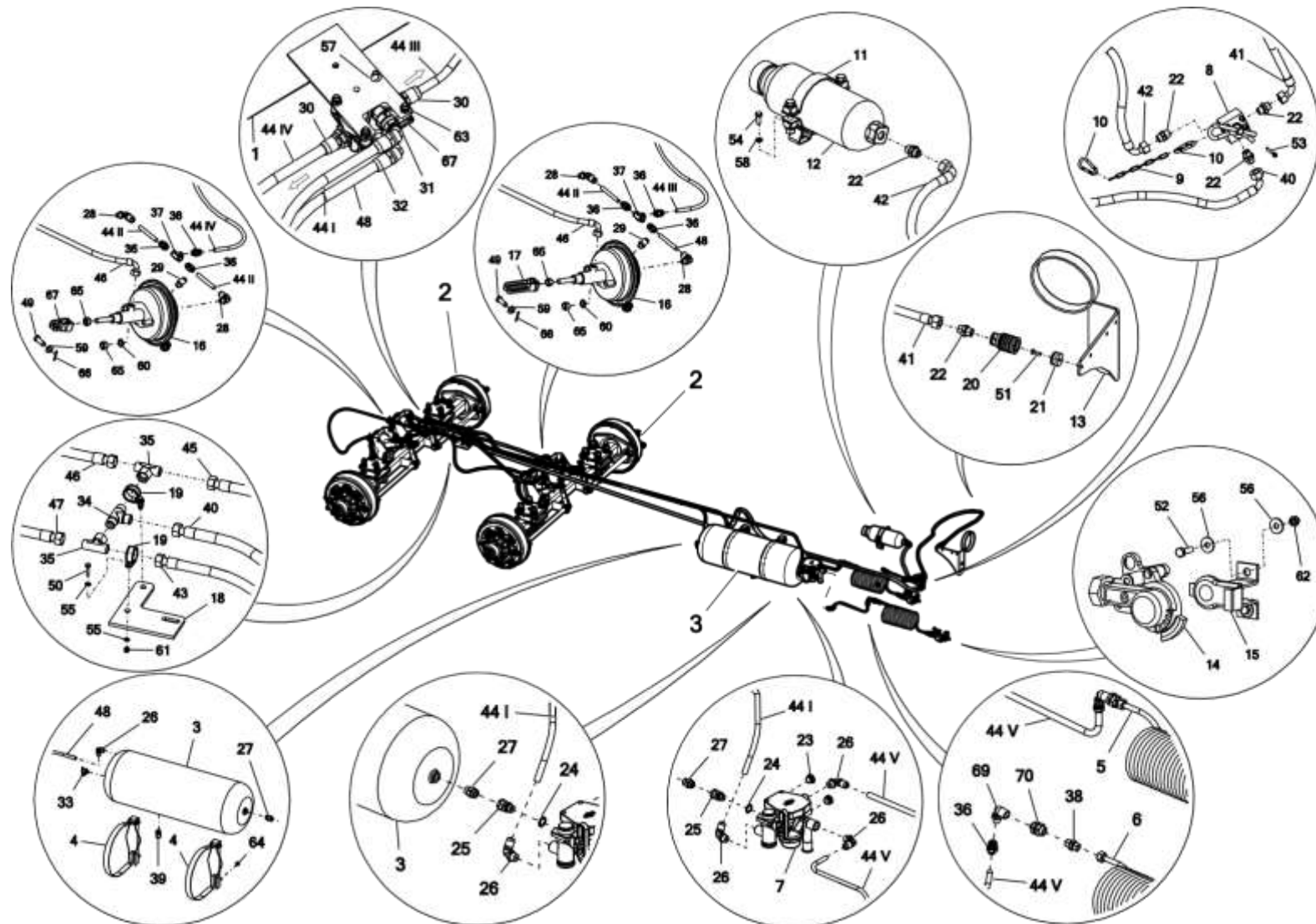
51. HYDRAULIC-PNEUMATIC BRAKING SYSTEM

No.	Part or assembly name	Fig. or index No.			
		N272/1	Number	N272/2	Number
40*	Hydraulic hose AA90/211/10 L-4300	POD-HPR-000682	1	POD-HPR-000682	1
41*	Hydraulic hose AA90/211/10 L-2800		1		1
42*	Hydraulic hose AA90/211/10 L-300		1		1
43*	Hydraulic hose AA90/211/10 L-1000		2		2
44 I	Tecalán tube DN12 x 1.5 (14 m)	POD-TSZ-000050	4 m	POD-TSZ-000050	4 m
44 II			3.5 m		3.5 m
44 III			2 m		2 m
44 IV			1.5 m		1.5 m
44 V			1.5 m		1.5 m
45*	Hydraulic hose AA90/211/10 L-1000	POD-HPR-000682	1	POD-HPR-000682	1
46*	Hydraulic hose AA90/211/10 L-1500		1		1
47*	Hydraulic hose AA90/211/10 L-1250		1		1
48	Tecalán tube DN15 x 1.5	POD-TSZ-000051	1 m	POD-TSZ-000051	1 m
49	Actuator Fork Bolt	POD-OGL-000904	4	POD-OGL-000904	4

Key:

40* - 43*, 45* - 47* – Set no. 42-5, N272 spreader, hydr.-pneumat. brake – **POD-HPR-000682**

51. HYDRAULIC-PNEUMATIC BRAKING SYSTEM



51. HYDRAULIC-PNEUMATIC BRAKING SYSTEM

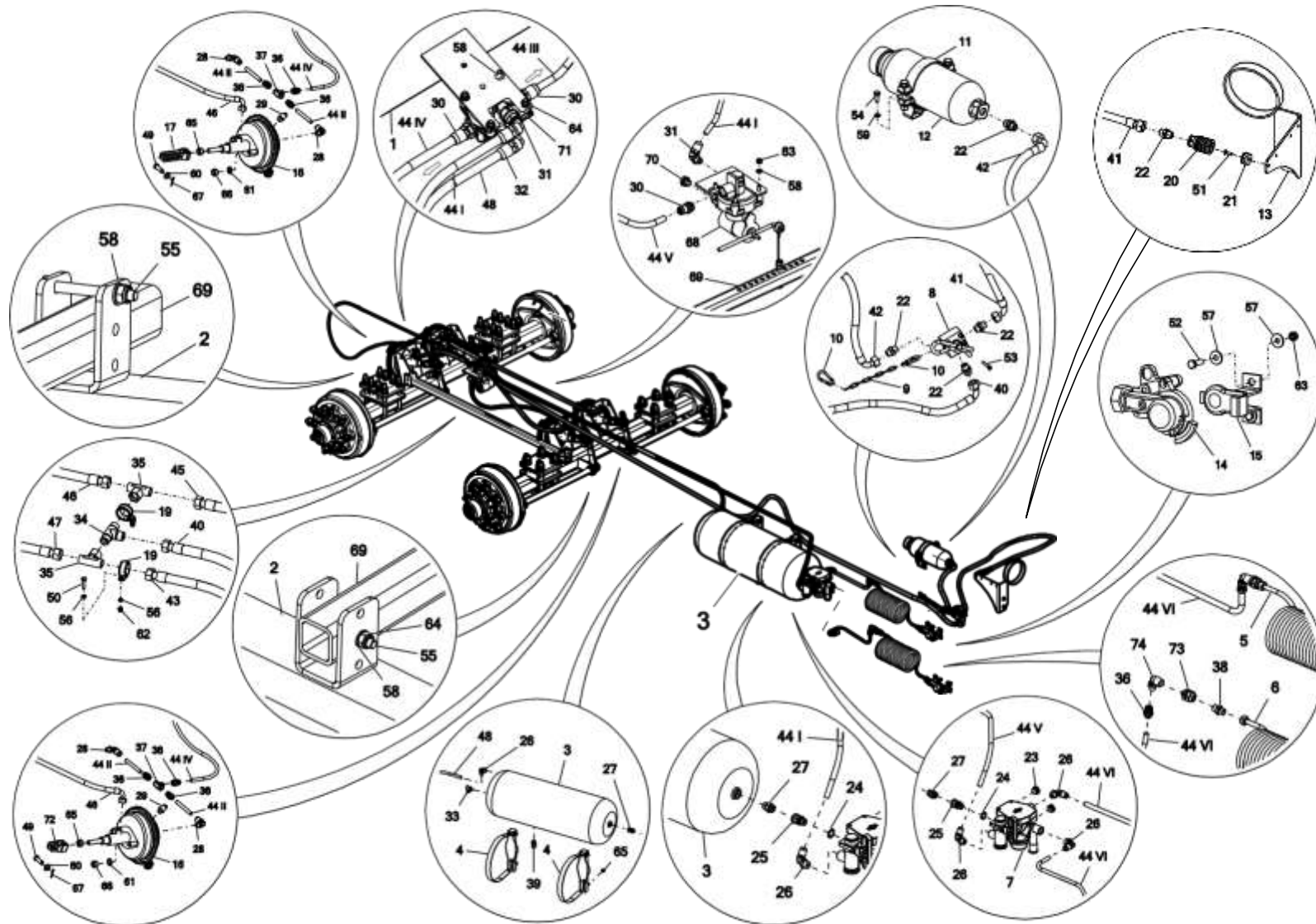
No.	Part or assembly name	Fig. or index No.			
		N272/1	Number	N272/2	Number
50	Bolt 5 x 20 galv. 8.8 82105	POD-ELZ-000645	2	POD-ELZ-000645	2
51	Screw 6 x 20 galv. 82208	23W6/20OC	1	23W6/20OC	1
52	Bolt 6 x 20 galv. 8.8 82105 82105 8.8	23S6/20	4	23S6/20	
53	Allen bolt 6 x 50 galv. 8.8 82302	POD-ELZ-000752	2	POD-ELZ-000752	2
54	Bolt 8 x 20 galv. 8.8 82105 82105	23S8/20OC 8.8	2	23S8/20OC 8.8	2
55	Round washer, 5.3 galv. 82005 82005	23P5,3OC 82005	4	23P5,3OC 82005	4
56	Round washer 6 galv., coated 82030	23S6/20	8	23S6/20	8
57	Round washer 8 galv., 82005 82005	23P8OOC	4	23P8OOC	4
58	Spring washer 8.2 galv., 82008 82008	23P8SPOC	2	23P8SPOC	2
59	Cotter pin 4 x 32 galv.	POD-OGL-000904	4	POD-OGL-000904	4
60	Spring washer 16.3 galv., 82008 82008	23P16SP	8	23P16SP	8
61	Self-locking nut M5 galv. 82175 8	POD-ELZ-000471	2	POD-ELZ-000471	2

51. HYDRAULIC-PNEUMATIC BRAKING SYSTEM

No.	Part or assembly name	Fig. or index No.			
		N272/1	Number	N272/2	Number
62	Nut M16 galv. 8.8 82144 5 82144 5	23N16OC	4	23N16OC	4
63	Self-locking nut M8 galv., 82175 8 82175 8	23NS8OC	4	23NS8OC	4
64	Nut M12 galv. 82144 5	23N12OC	2	23N12OC	
65	Fine-threaded nut M16 x 1.5 galv. 82144	POD-ELZ-000764	8	POD-ELZ-000764	8
66	HALDEX - Cylinder washer 30	POD-OGL-000904	4	POD-OGL-000904	4
67*	Short forks for membrane cylinder	POD-OGL-000637	2	POD-OGL-000637	2
68	Relay valve KNORR	POD-OGL-000850	1	POD-OGL-000850	1
69*	Elbow 45°M16 x 1.5/dia. 12 (5,401,209,016,155)	POD-OGL-001114	2	POD-OGL-001114	2
70	Bulkhead pneumatic coupling ext. M22/ext. M22/int. M16	POD-PZŁ-000086	2	POD-PZŁ-000086	2

Key: **67*** - included as part of the following set: Hydraulic and pneumatic cylinder 24 BCDT2425 66782000415 – **POD-OGL-000904** **69*** – included in: KNORR braking system of the N272/1-2 spreader, CONNECTORS – **POD-OGL-001114**

52. HYDRAULIC-PNEUMATIC BRAKING SYSTEM WITH ALB



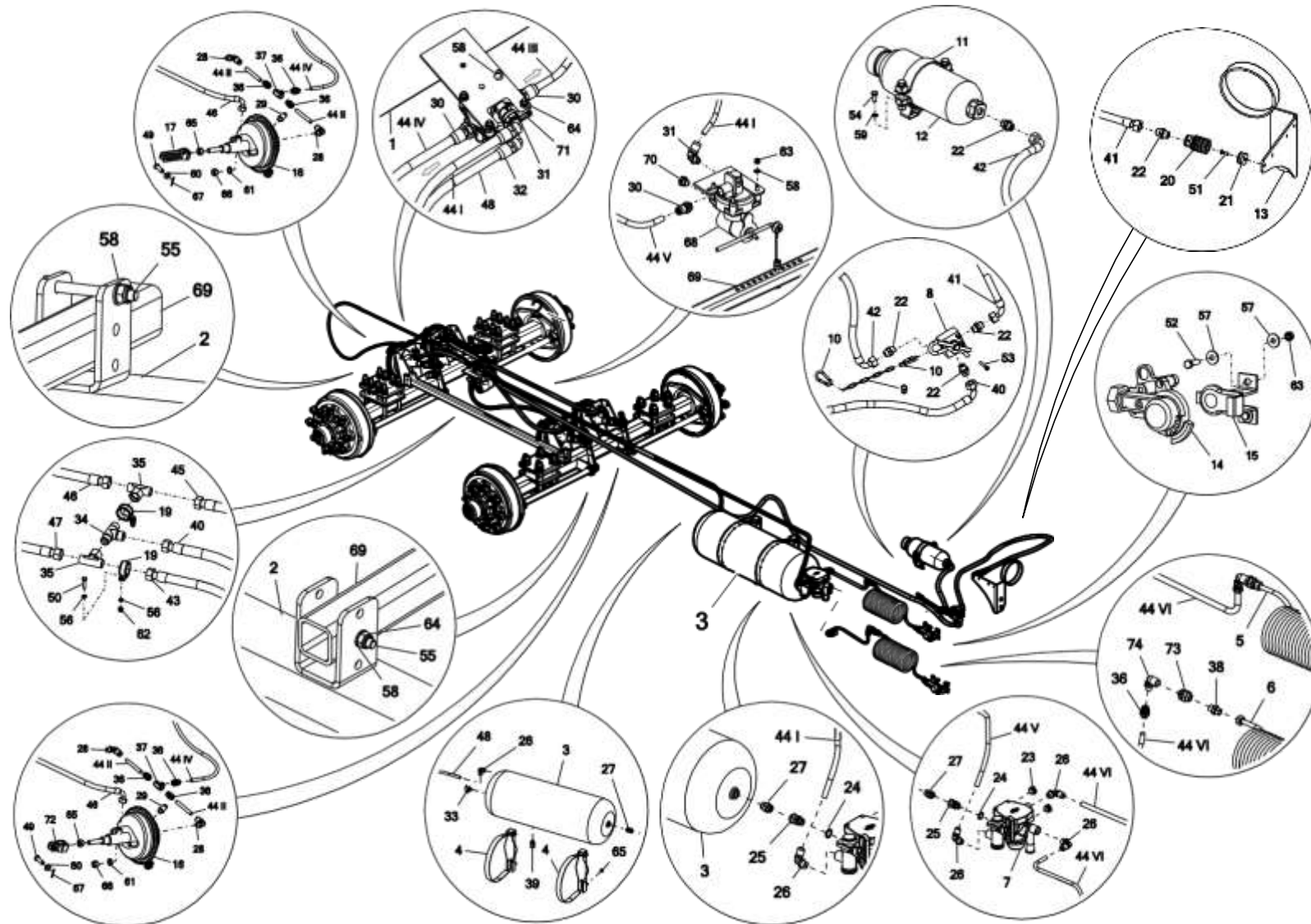
52. HYDRAULIC-PNEUMATIC BRAKING SYSTEM WITH ALB

No.	Part or assembly name	Fig. or index No.			
		N272/1	Number	N272/2	Number
1	Bottom frame TAURUS	N272 01.00.00.1	1	N272 01.00.00.1	1
2	Universal axle	N272-3 02.04.00.1	2	N272-3 02.04.00.1	2
3	Air tank 60 l, diam. 276 KNORR	POD-OGL-000632	1	POD-OGL-000632	1
4	Clamp for air tank 60 l, diam. 276 KNORR	POD-OGL-000633	2	POD-OGL-000633	2
5	HALDEX yellow spiral conduit	POD-OGL-000620	1	POD-OGL-000620	1
6	HALDEX red spiral conduit	POD-OGL-000619	1	POD-OGL-000619	1
7*	KNORR trailer brake valve BREMSE	POD-OGL-001110	1	POD-OGL-001110	1
8	Emergency valve, brake system, 900409 (21003208)	POD-HPZ-000118	1	POD-HPZ-000118	1
9	Clamping chain diam. 2 mm	25LS	1	25LS	1
10	Snap hook with nuts diam. 6 mm galv.	POD-ELZ-000484	2	POD-ELZ-000484	2
11	Brakes - battery clamping 0.75 L and 1.5 L (21001623)	POD-HPZ-000116	1	POD-HPZ-000116	1
12	Brakes - hydraulic battery 1.5 l (21001971) 100 bars	POD-HPZ-000114	1	POD-HPZ-000114	1
13	Wiring support	N272 01.08.00	1	N272 01.08.00	1

Key:

7* - included in: KNORR braking system KNORR TUV type T UNIVERSAL automatic adjustment ALB VALVES – **POD-OGL-001110**

52. HYDRAULIC-PNEUMATIC BRAKING SYSTEM WITH ALB



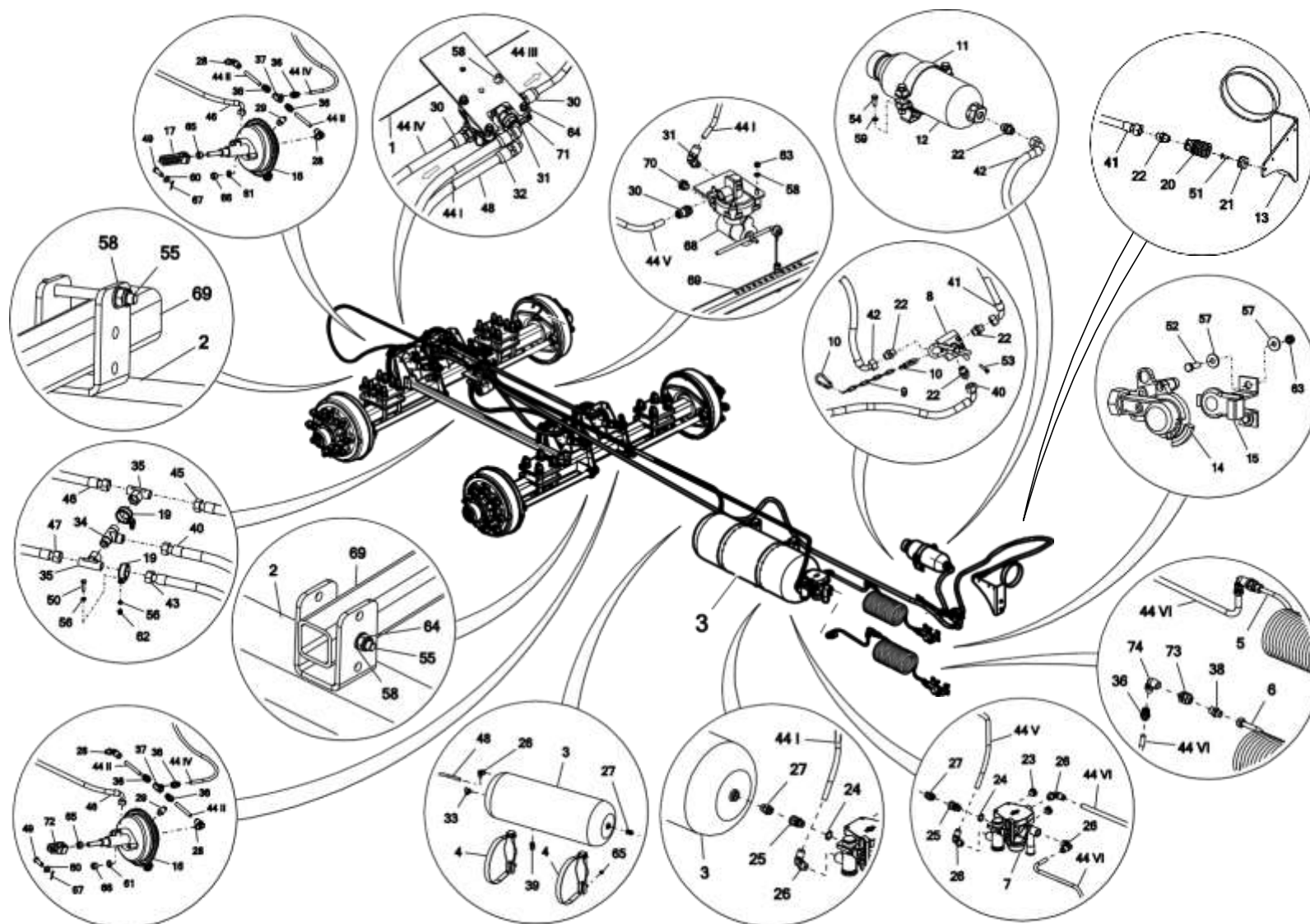
52. HYDRAULIC-PNEUMATIC BRAKING SYSTEM WITH ALB

No.	Part or assembly name	Fig. or index No.			
		N272/1	Number	N272/2	Number
14	HALDEX conduit connector, red, front	POD-OGL-000624	2	POD-OGL-000624	2
15	Pneumatic Connector Holder	POD-OGL-000573	2	POD-OGL-000573	2
16	Hydraulic-pneumatic cylinder 24 BCDT2425 66782000415	POD-OGL-000904	4	POD-OGL-000904	4
17	Diaphragm actuator fork long HALDEX/KNORR	POD-OGL-000615	4	POD-OGL-000615	4
18	ALB valve mounting	N272 01.00.29.1	1	N272 01.00.29.1	1
19	Band clip with rubber P-CLIP 25 x 12	POD-OGL-000179	2	POD-OGL-000179	2
20	Quick release coupling 900410 (21001462)	POD-HPZ-000117	1	POD-HPZ-000117	1
21	Quick release coupling base		1		1
22	Straight coupling 18 × 18 - 1.5	POD-HKR-000040	5	POD-HKR-000040	5
23	Pneumatic plug M22	POD-PZŁ-000037	2	POD-PZŁ-000037	2
24	Metal & rubber washer PPM22 30 x 22	24UPPM22	1	24UPPM22	
25	Straight connector 22" ext. – M22 x 1.5 dia. 15 screwed-on	POD-HKR-000041	1	POD-HKR-000041	
26*	Pneumatic elbow M22-12 x 1.5 TK12	POD-OGL-001122	3	POD-OGL-001122	
27	Straight coupling, 22 x 22	24K22/22	1	24K22/22	
28	Pneumatic elbow M16-12 x 1.5	POD-PZŁ-000015	4	POD-PZŁ-000015	4

Key:

26* – Brake system. of the N272/1-2 with ALB TAURUS CONNECTORS – **POD-OGL-001122**

52. HYDRAULIC-PNEUMATIC BRAKING SYSTEM WITH ALB



52. HYDRAULIC-PNEUMATIC BRAKING SYSTEM WITH ALB

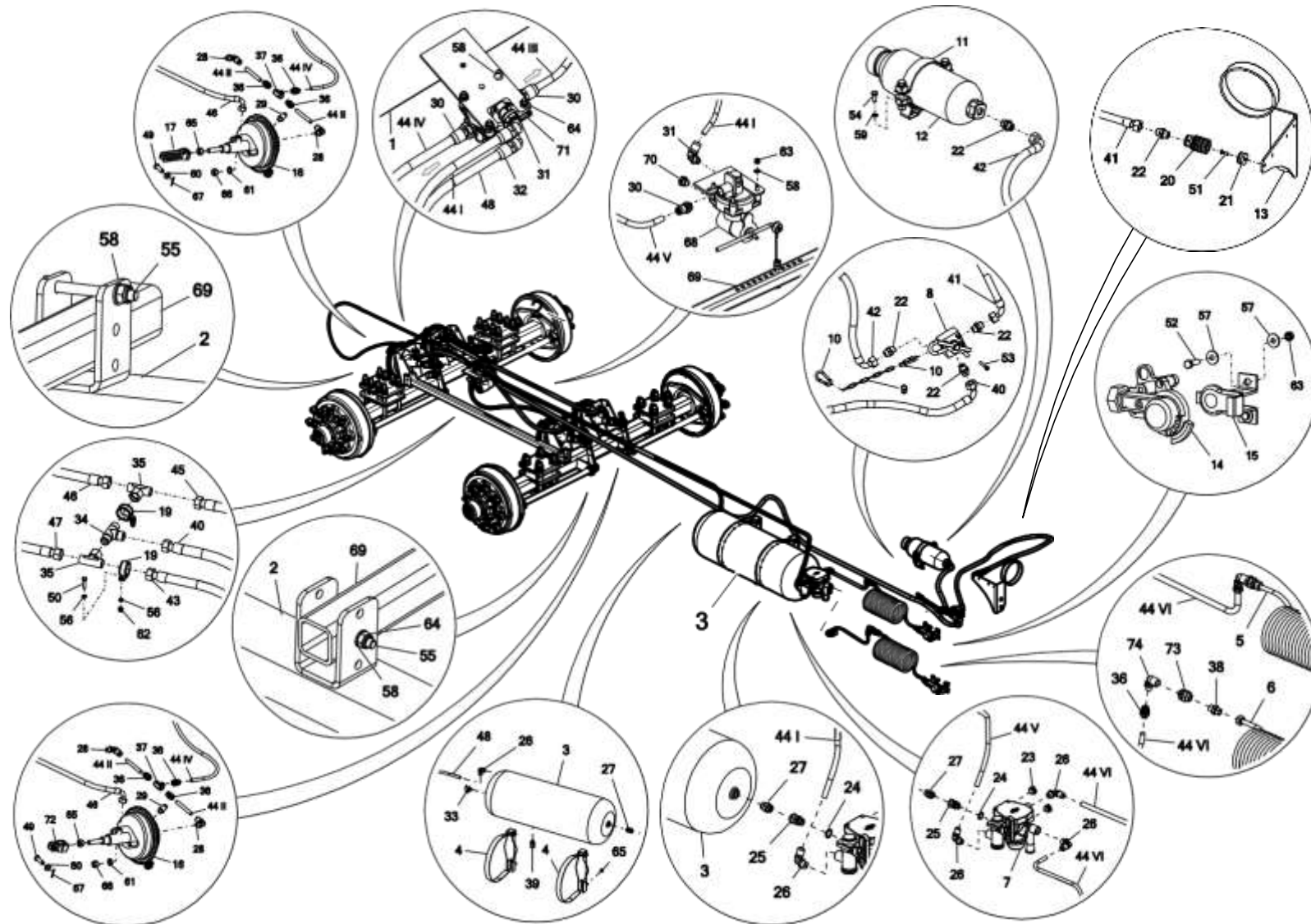
No.	Part or assembly name	Fig. or index No.			
		N272/1	Number	N272/2	Number
29	Pneumatic control connector M16 x 1.5	POD-PZŁ-000039	4	POD-PZŁ-000039	4
30*	Straight connector M22 x 1.5 / diam. 15	POD-OGL-001122	2	POD-OGL-001122	2
31*	Pneumatic elbow M16 TK15		1		1
32*	Pneumatic elbow M22-15 x 1.5 TK15		1		1
33	Pneumatic control connector M22 x 1.5	POD-OGL-000069	1	POD-OGL-000069	1
34	T-connector 18 x 18 x 18 12L	24KT18/18/18	1	24KT18/18/18	1
35	T-connector 18 x 18 x 18-1.5 with a top nut	POD-HKR-000002-1	2	POD-HKR-000002-1	2
36*	Straight pneumatic connector M16 TK12	POD-OGL-001122	6	POD-OGL-001122	6
37*	T-piece M16 x 3		2		2
38*	Straight pneumatic connector M16 TK15		2		2
39	Drain valve M22 x 1.5 KNORR	POD-OGL-000634	1	POD-OGL-000634	1
40*	Hydraulic hose AA90/211/10 L-4300	POD-HPR-000682	1	POD-HPR-000682	1
41*	Hydraulic hose AA90/211/10 L-2000		1		1

Key:

30*- 32*, 36*, 38* – included in: KNORR braking system of the N272/1-2 with ALB TAURUS CONNECTORS – **POD-OGL-001122**

40* - 41* – Set no. 42-5, N272 spreader, hydr.-pneumat. brake – **POD-HPR-000682**

52. HYDRAULIC-PNEUMATIC BRAKING SYSTEM WITH ALB



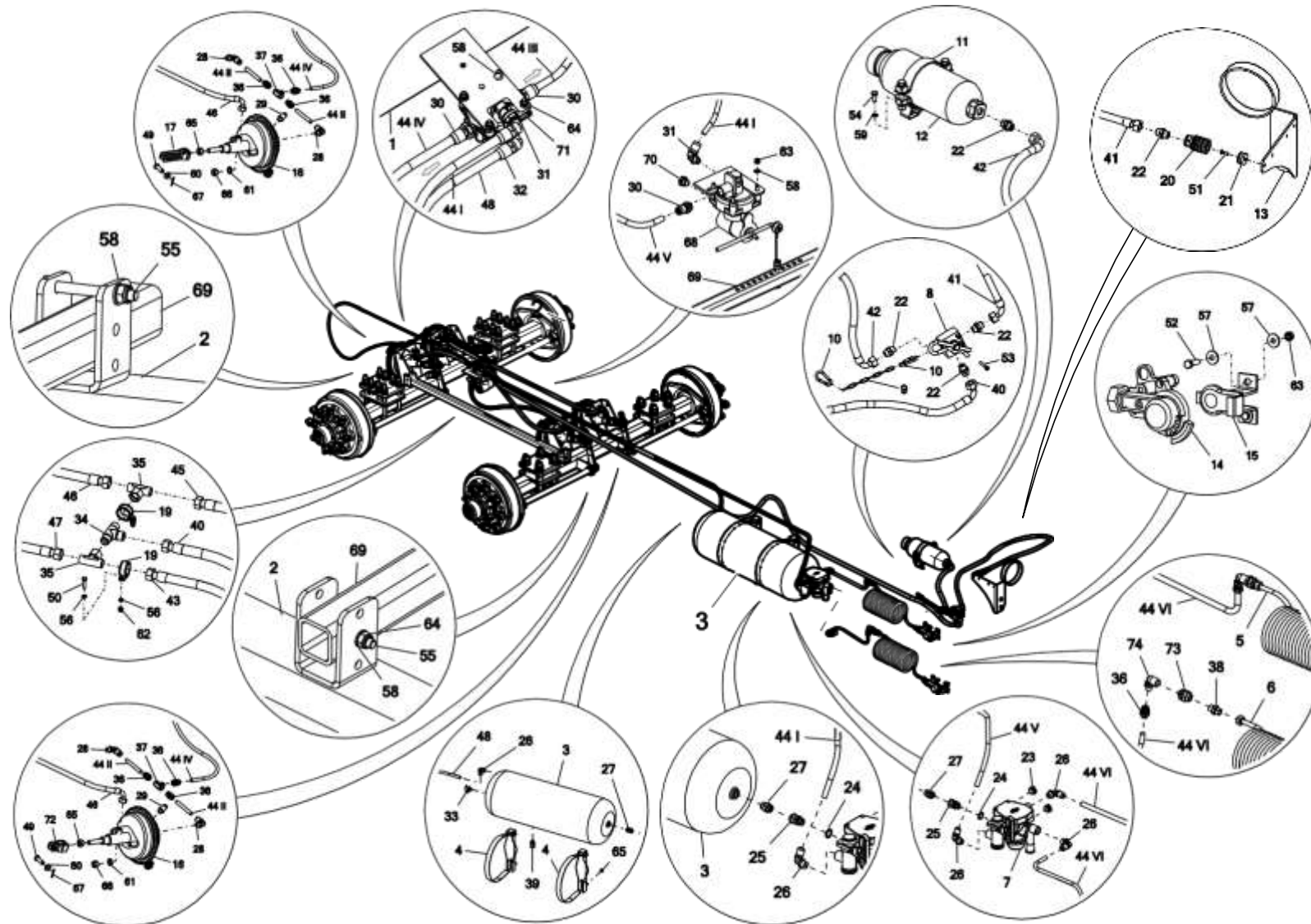
52. HYDRAULIC-PNEUMATIC BRAKING SYSTEM WITH ALB

No.	Part or assembly name	Fig. or index No.			
		N272/1	Number	N272/2	Number
42*	Hydraulic hose AA90/211/10 L-300	POD-HPR-000682	1	POD-HPR-000682	1
43*	Hydraulic hose AA90/211/10 L-1000		2		2
44 I	Tecalan tube DN12 x 1.5	POD-TSZ-000050	0.5 m	POD-TSZ-000050	0.5 m
44 II			3.1 m		3.1 m
44 III			2 m		2 m
44 IV			1.5 m		1.5 m
44 V			3.5 m		3.5 m
44 VI			1.5 m		1.5 m
45*	Hydraulic hose AA90/211/10 L-1000	POD-HPR-000682	1	POD-HPR-000682	1
46*	Hydraulic hose AA90/211/10 L-1500		1		1
47*	Hydraulic hose AA90/211/10 L-1250		1		1
48	Tecalan tube DN12 x 1.5	POD-TSZ-000050	1 m	POD-TSZ-000050	1 m
49	Actuator Fork Bolt	POD-OGL-000904	4	POD-OGL-000904	4

Key:

42*- 43*, 45*, 47* – included in: Set No. 42-5 spreader N272 hydr-pneumatic brake – POD-HPR-000682

52. HYDRAULIC-PNEUMATIC BRAKING SYSTEM WITH ALB



52. HYDRAULIC-PNEUMATIC BRAKING SYSTEM WITH ALB

No.	Part or assembly name	Fig. or index No.			
		N272/1	Number	N272/2	Number
50	Bolt 5 x 20 galv. 8.8 82105	POD-ELZ-000645	2	POD-ELZ-000645	2
51	Screw 6 x 20 galv. 82208	23W6/20OC	1	23W6/20OC	1
52	Bolt 6 x 20 galv. 8.8 82105 82105 8.8	23S6/20	4	23S6/20	4
53	Allen bolt 6 x 50 galv. 8.8 82302	POD-ELZ-000752	2	POD-ELZ-000752	2
54	Bolt 8 x 20 galv. 8.8 82105 82105	23S8/20OC 8.8	2	23S8/20OC 8.8	2
55	Bolt 8 x 70 galv. 8.8 82101 82101	23S8/70OC	2	23S8/70OC	2
56	Nut M16 galv. 8.8 82144 5 82144 5	23N16OC	12	23N16OC	12
57	Round washer 6 galv., coated 82030	23P6OC030	8	23P6OC030	8
58	Round washer 8 galv., 82005 82005	23P8OOC	4	23P8OOC	4
59	Cotter pin 4 x 32 galv.	POD-OGL-000904	4	POD-OGL-000904	4
60	Actuator Fork Bolt		4		4
61	Spring washer 16.3 galv., 82008 82008	23P16SP	8	23P16SP	8
62	Self-locking nut M5 galv. 82175 8	POD-ELZ-000471	2	POD-ELZ-000471	2
63	Nut M16 galv. 8.8 82144 5 82144 5	23N16OC	12	23N16OC	12

52. HYDRAULIC-PNEUMATIC BRAKING SYSTEM WITH ALB

No.	Part or assembly name	Fig. or index No.			
		N272/1	Number	N272/2	Number
64	Self-locking nut M8 galv., 82175 8 82175 8	23NS8OC	4	23NS8OC	4
65	Nut M12 galv. 82144 5	23N12OC	2	23N12OC	2
66	Fine-threaded nut M16 x 1.5 galv. 82144	POD-ELZ-000764	8	POD-ELZ-000764	8
67	HALDEX - Cylinder washer 30	POD-OGL-000904	4	POD-OGL-000904	4
68*	Mechanical braking force regulator	POD-OGL-001110	1	POD-OGL-001110	1
69	Lever ALB N272 02.04.09	N272 02.04.09	1	N272 02.04.09	1
70	Pneumatic plug M16	POD-PZŁ-000036	1	POD-PZŁ-000036	1
71	Relay valve KNORR	POD-OGL-000850	1	POD-OGL-000850	1
72*	Short forks for membrane cylinder	POD-OGL-000637	2	POD-OGL-000637	2
73*	Elbow 45°M16 x 1.5/dia. 12 (5,401,209,016,155)	POD-OGL-001122	2	POD-OGL-001122	2
74	Bulkhead pneumatic coupling ext. M22/ext. M22/int. M16	POD-PZŁ-000086	2	POD-PZŁ-000086	2

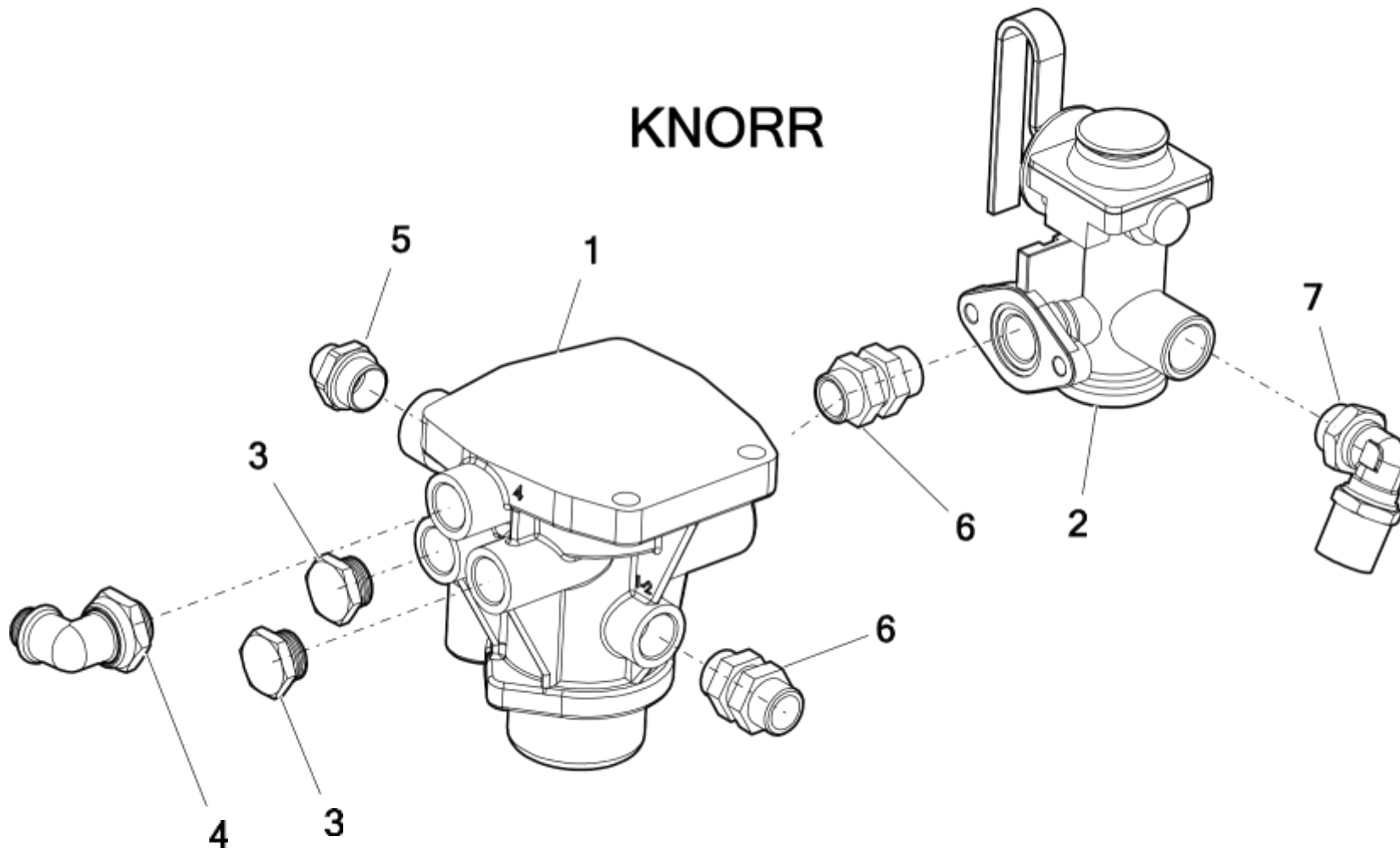
Key:

68* - included as part of the following set: KNORR TUV type braking system, UNIVERSAL automatic adjustment ALB VALVES – **POD-**

OGL-001110 72* - included in: Hydraulic-pneumatic cylinder 24 BCDDT2425 66782000415 - **POD-OGL-000904**

73* – Brake system. of the N272/1-2 with ALB TAURUS CONNECTORS – **POD-OGL-001122**

53. BRAKE VALVE, COMPLETE – KNORR

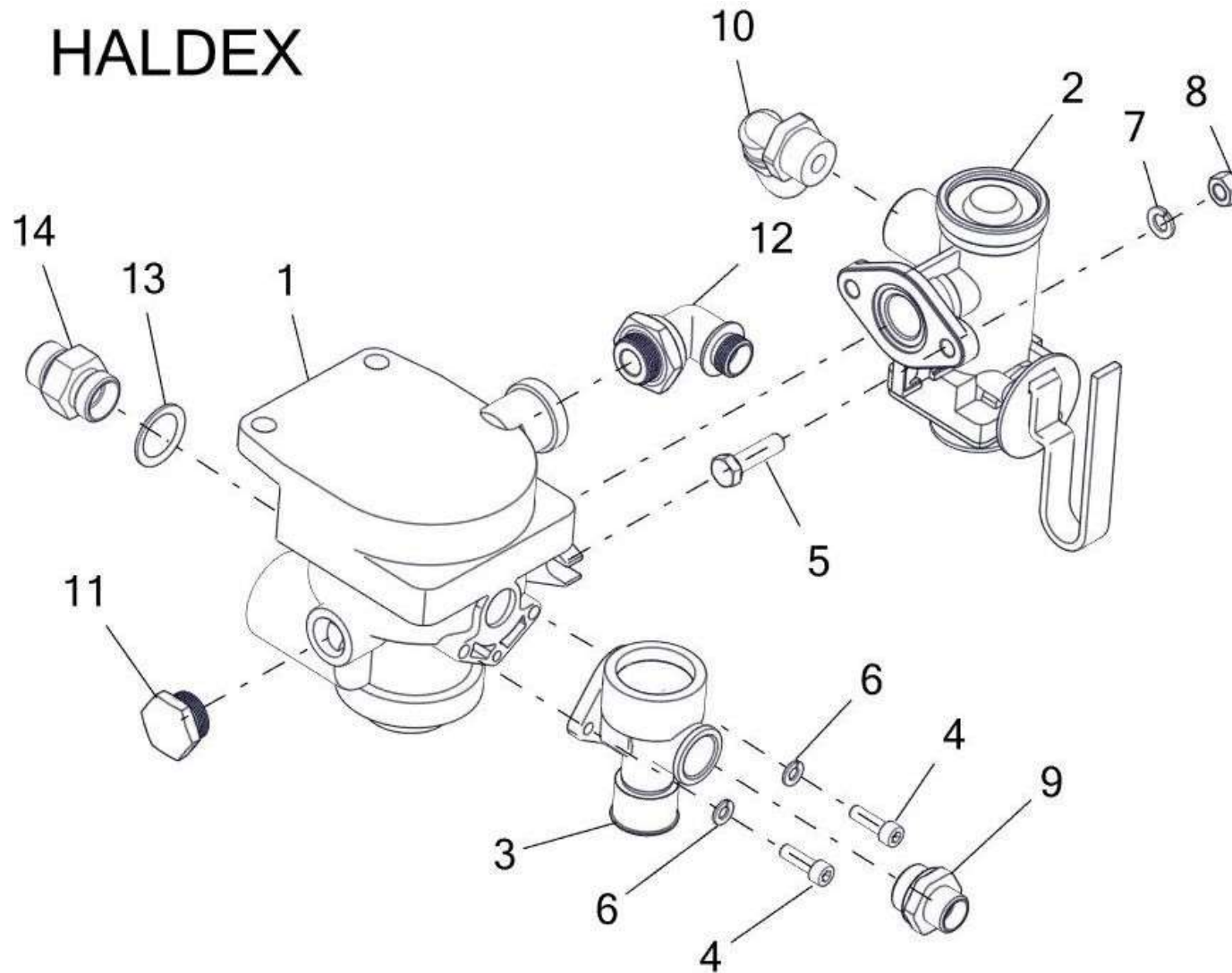


53. BRAKE VALVE, COMPLETE – KNORR

No.	Part or assembly name	Fig. or index No.			
		N272/1	Number	N272/2	Number
1	Trailer brake valve with KNORR brake release	POD-OGL-001098	1	POD-OGL-001098	1
2	Manual braking-force regulator		1		1
3	Pneumatic plug M22	POD-OGL-001114	2	POD-OGL-001114	2
4	Pneumatic elbow M22-18 x 1.5		1		1
5	Straight pneumatic connector M22-M22		1		1
6	Bulkhead reducer M22 x 1.5-M22 x 1.5, int. M16 x 1.5		1		1
7	Pneumatic elbow M22-12 x 1.5 TK12		2		2

54. BRAKE VALVE, COMPLETE – HALDEX

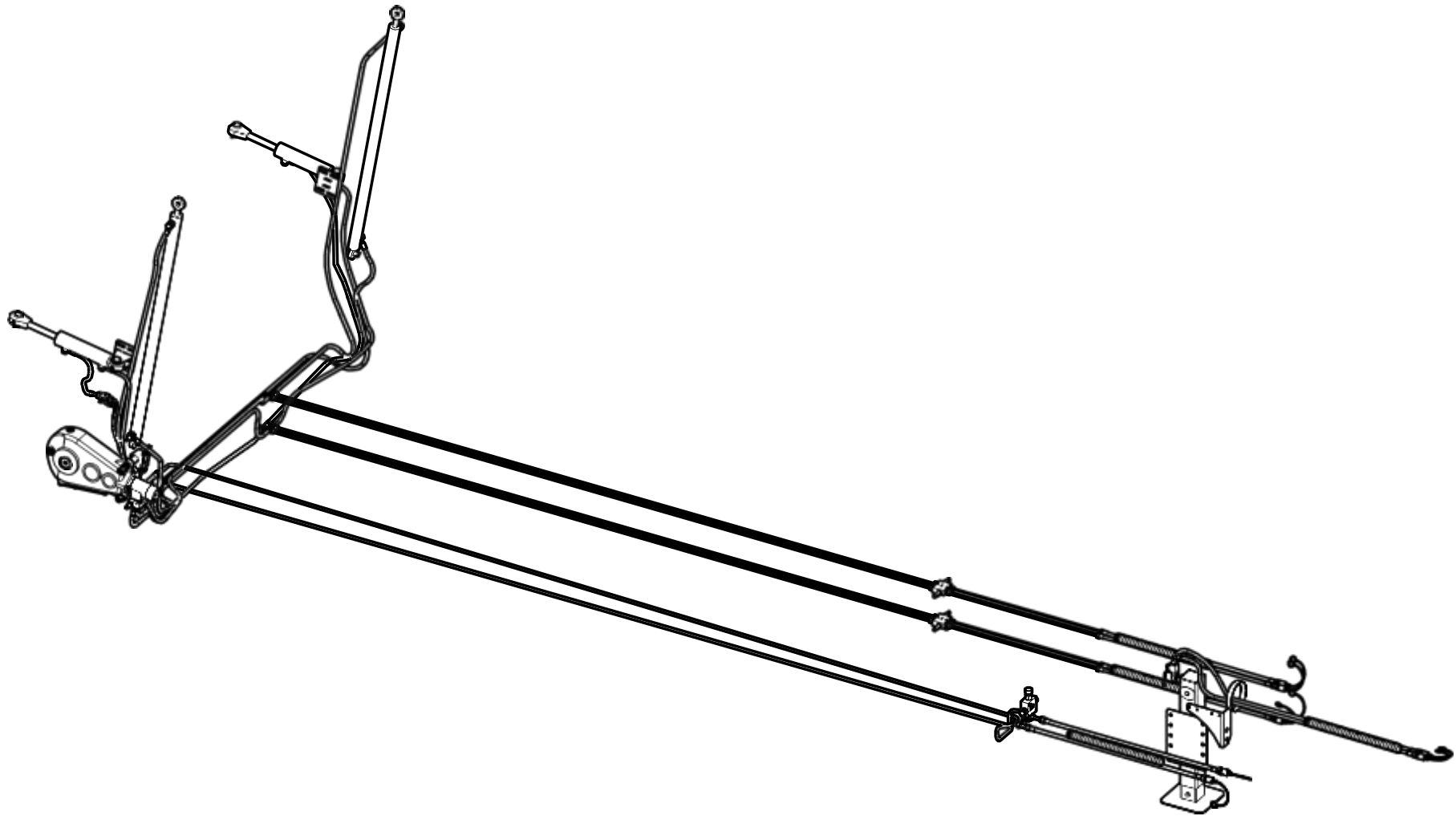
HALDEX



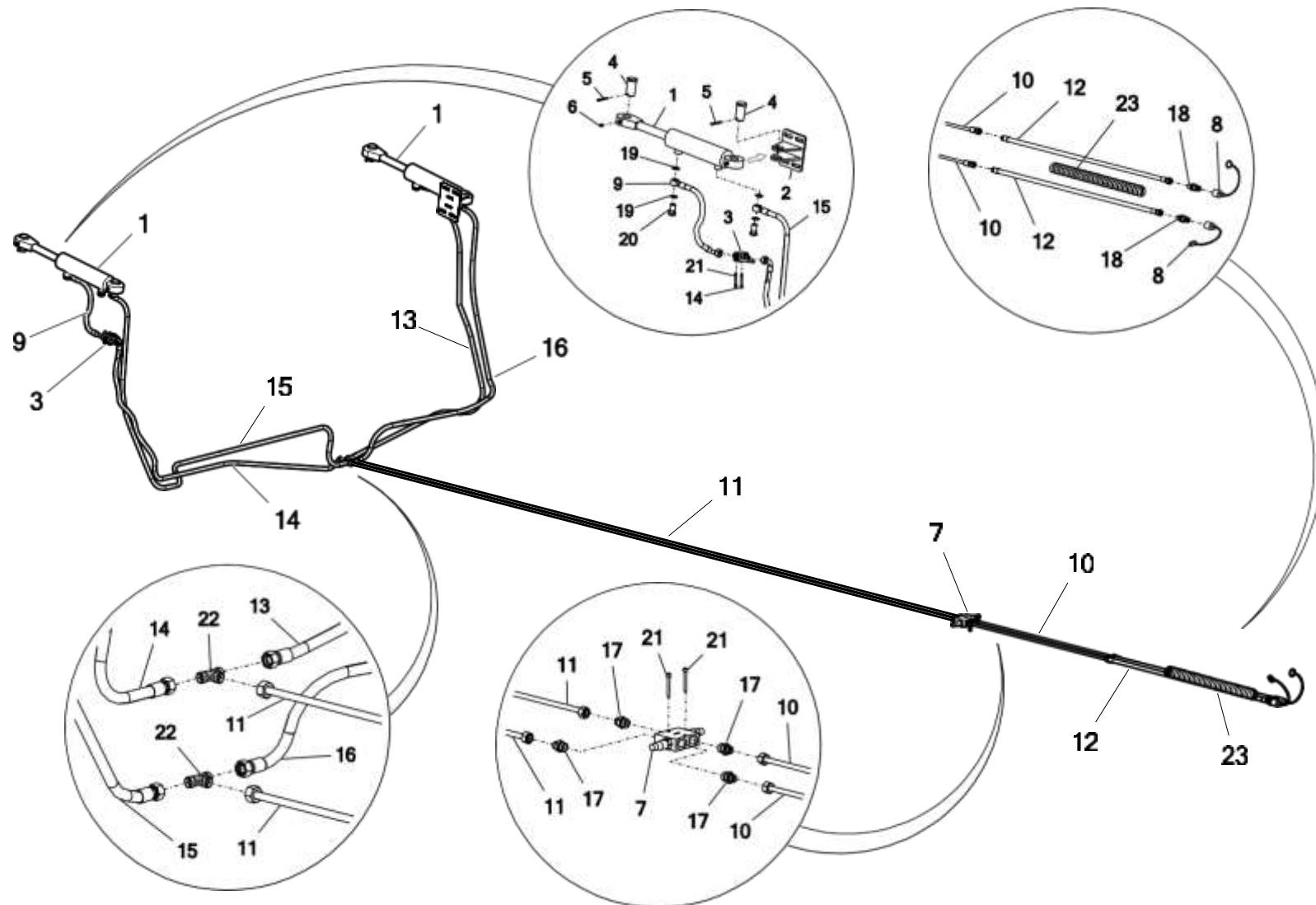
54. BRAKE VALVE, COMPLETE – HALDEX

No.	Part or assembly name	Fig. or index No.			
		N272/1	Number	N272/2	Number
1	Brake valve HALDEX	3510080011	1	3510080011	1
2	Manual braking-force regulator	POD-OGL-001098	1	POD-OGL-001098	1
3	Brake valve release	POD-OGL-001044	1	POD-OGL-001044	1
4	Allen bolt 6 x 20 galv. 8.8 82302	POD-ELZ-000759	2	POD-ELZ-000759	2
5	Bolt 8 x 30 galv., 8.8 82105 82105	23S8/30OC 8.8	2	23S8/30OC 8.8	2
6	Spring washer, 6.1 galv., 82008 82008	23P6SPOC	2	23P6SPOC	2
7	Spring washer 8.2 galv. 82008 82008	23P8SPOC	2	23P8SPOC	2
8	Nut M8 galv. 82144 5	23N8OC	2	23N8OC	2
9	Straight pneumatic connector M22-M16	POD-PZŁ-000010	1	POD-PZŁ-000010	1
10	Straight pneumatic elbow M22-12 x 1.5 TK12	POD-PZŁ-000016	1	POD-PZŁ-000016	1
11	Pneumatic plug M22	POD-PZŁ-000037	1	POD-PZŁ-000037	1
12	Pneumatic elbow M22-16 x 1.5	POD-PZŁ	1	POD-PZŁ	1
13	Seal ring PPM22 30 x 22	24UPPM22	1	24UPPM22	1
14	Connector	24K22-22	1	24K22-22	1

55. FOUR-SECTION HYDRAULIC SYSTEM, COMPLETE



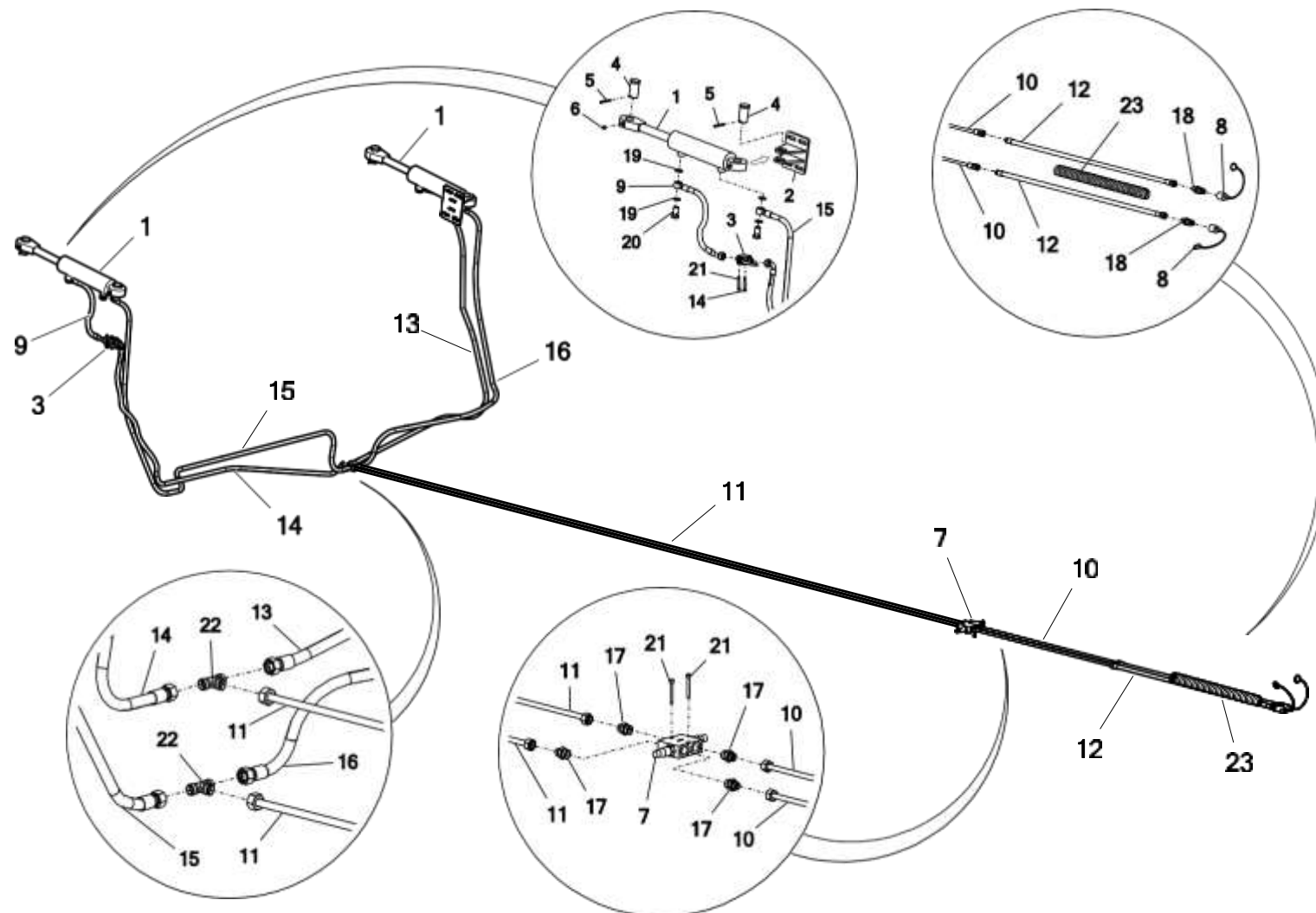
56. FOUR-SECTION HYDRAULIC SYSTEM - Guard section of the vertical adapter



56. FOUR-SECTION HYDRAULIC SYSTEM - Guard section of the vertical adapter

No.	Part or assembly name	Fig. or index No.			
		N272/1	Number	N272/2	Number
1	Actuator UCJ2FW-63/36/150z LL+UUE2s*L-432	POD-HSL-000147	2	POD-HSL-000147	2
2	Cylinder mounting N272 03.36.00.1	N272 03.36.00.1	2	N272 03.36.00.1	2
3	Ball valve RS2 12L (with holes)	POD-HZW-000032	1	POD-HZW-000032	1
4	Extension cylinder pin	N272-3 05.10.02	4	N272-3 05.10.02	4
5	POD-ELZ-000440	POD-ELZ-000440	4	POD-ELZ-000440	4
6	Lubricating nipple M6 x 1.0 straight	23SM	4	23SM	4
7	Cross overflow valve VBDC3802 210b -VAU 1/2-inch	24ZP	1	24ZP	1
8	EURO quick-coupling attachment 13 (green, yellow, blue, red)	24ZWNE13	2	24ZWNE13	2
9	Hydraulic hose A90RNM/21_/10 L-350	POD-HPR-000628	1	POD-HPR-000628	1
10	Cylinder bottom pipe I ø12 N272 03.20.01 L-950		2		2
11	Cylinder bottom pipe II ø12 N272 03.20.01 L-3900		2		2
12	Hydraulic hose BA/211/10 L-3000		2		2
13	Hydraulic hose ARNM/21_/10 L-1900		1		1

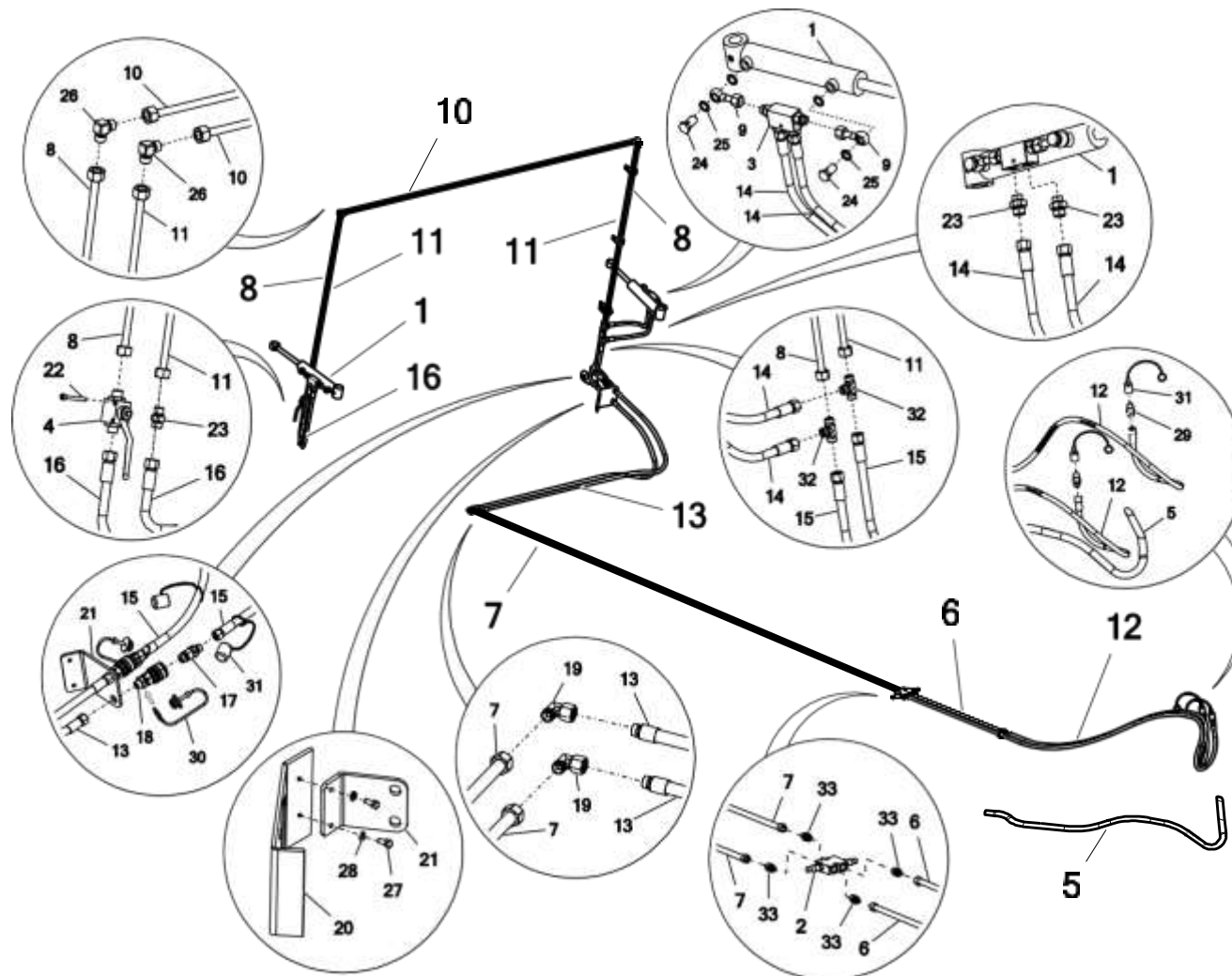
56. FOUR-SECTION HYDRAULIC SYSTEM - Guard section of the vertical adapter



56. FOUR-SECTION HYDRAULIC SYSTEM - Guard section of the vertical adapter

No.	Part or assembly name	Fig. or index No.			
		N272/1	Number	N272/2	Number
14	Hydraulic hose AA90/211/10 L-2150	POD-HPR-000628	1	POD-HPR-000628	1
15	Hydraulic hose ARNM/21_/10 L-2350		1		1
16	Hydraulic hose ARNM/21_/10 L-1750		1		1
17	Straight coupling 1/2 edx18-1.5	24KP1/2 18	4	24KP1/2 18	4
18	Euro valve-plug M18 × 1.5	24ZWE13-M18X1,5	2	24ZWE13-M18X1,5	2
19	Metal & rubber washer PPM22 30 x 22	24UPPM22	4	24UPPM22	4
20	Eye bolt 1/2" 20 L36	24SO1/2"	4	24SO1/2"	4
21	Allen bolt 6 x 50 galv. 8.8 82302	POD-ELZ-000752	2	POD-ELZ-000752	2
22	T-connector 18 × 18 × 18 12L	24KT18/18/18	2	24KT18/18/18	2
23	Spiral guard HG-32/int. diameter 28/ (25 – 32)	POD-HPZ-000042-1	2.5 m	POD-HPZ-000042-1	2.5 m
	Textile sleeve dia. 50 L-2500 (for hydr. line)	N272 03.21.00	1	N272 03.21.00	1

57. FOUR-SECTION HYDRAULIC SYSTEM – Guard section of the vertical adapter (from 2022)



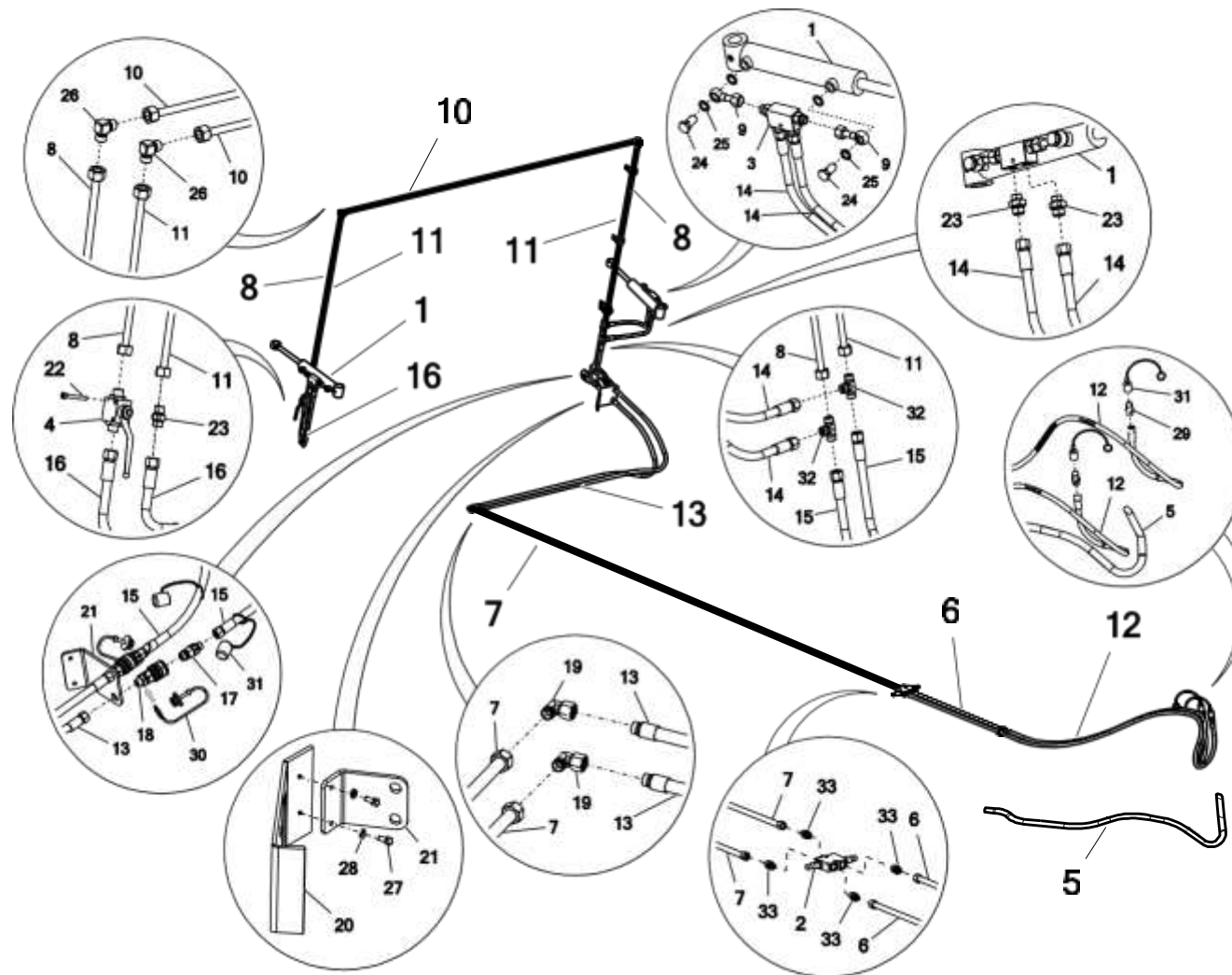
57. FOUR-SECTION HYDRAULIC SYSTEM – Guard section of the vertical adapter (from 2022)

No.	Part or assembly name	Fig. or index No.			
		N272/1	Number	N272/2	Number
1	Cylinder 40/22/160 L-370 Ral 7015	POD-HSL-000260	2	POD-HSL-000260	2
2	Cross overflow valve VBDC3802 210b -VAU 1/2-inch	24ZP	1	24ZP	1
3	Double non-return control valve VBPDE 3/8" L 2 CEXC	POD-HZW-000038	2	POD-HZW-000038	2
4	Ball valve RS2 12L (with holes)	POD-HZW-000032	1	POD-HZW-000032	1
5	Textile sleeve dia. 50 L-2500 (on hydr. line)	N272 03.21.00	1	N272 03.21.00	1
6*	Steel tube for hydr. guard N272 03.20.01 L-950	POD-HPR-000628	2	POD-HPR-000628	2
7*	Steel tube for hydr. guard N272 03.20.02 L-3900		2		2
8*	Steel tube for hydr. guard N272 03.20.22 dia. 12 L-1230		2		2
9*	Steel tube for hydr. guard N272 03.20.25 (eye dia. 16 + tube dia. 12, L-53)		4		4
10*	Steel tube for hydr. guard N272 03.20.24 dia. 12 L-2025		2		2
11*	Steel tube for hydr. guard N272 03.20.23 dia. 12 L-1150		2		2

Key:

6*- 11* – included in: Set no. 41-7 N272 spreader TAURUS without distribution for vertical adapter (s+g) – **POD-HPR-000628**

57. FOUR-SECTION HYDRAULIC SYSTEM – Guard section of the vertical adapter (from 2022)



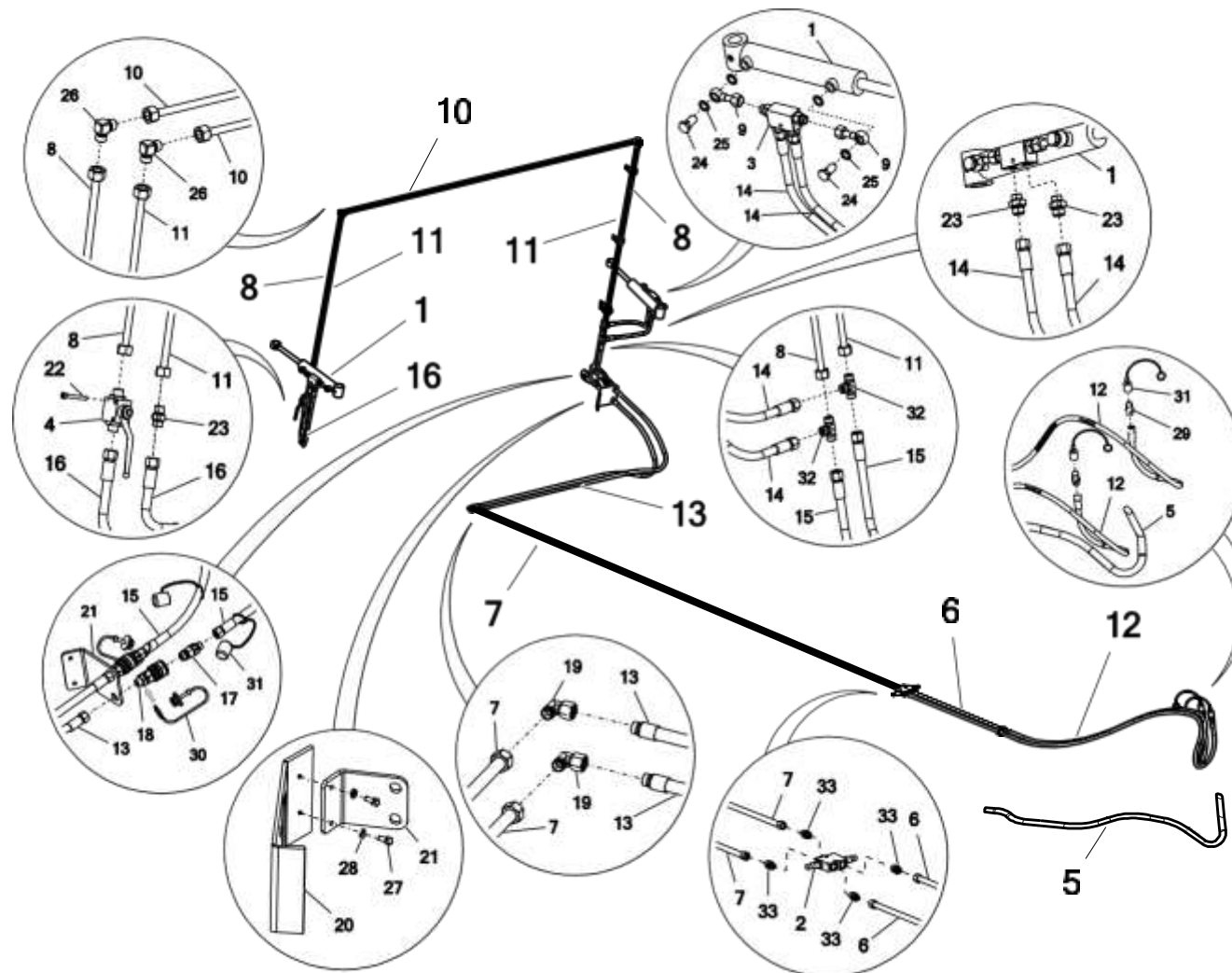
57. FOUR-SECTION HYDRAULIC SYSTEM – Guard section of the vertical adapter (from 2022)

No.	Part or assembly name	Fig. or index No.			
		N272/1	Number	N272/2	Number
12*	Hydraulic line BA/211/10 L-3000	POD-HPR-000628	2	POD-HPR-000628	2
13*	Hydraulic line AB/211/10 L-1500		2		2
14*	Hydraulic line AA90/211/10 L-500		2		2
15*	Hydraulic line AA90/211/10 L-450		2		2
16*	Hydraulic line AA90/211/10 L-1000		2		2
17	EURO valve-plug 13 M18 × 1.5	24ZWE13-M18X1,5	2	24ZWE13-M18X1,5	2
18	EURO valve seat M18 x 1.5 long	POD-HZW-000039	2	POD-HZW-000039	2
19	Adjustable elbow fitting M18x1.5 12L	24KPKN18X1,5	2	24KPKN18X1,5	2
20	Body	N272-1 03.01.006	1	N272 03.01.00.6	1
21	Support for quick release coupling sockets	N272 03.00.12	1	N272 03.00.12	1
22	Allen bolt 6 x 50 galv. 8.8 82302	POD-ELZ-000752	2	POD-ELZ-000752	2
23	Straight coupling 3/8 x 18-1.5 12LR	24KP3/8 18	5	24KP3/8 18	5
24	Eye bolt M16 x 1.5 15 L31	24SO16/1.5	4	24SO16/1.5	4
25	Metal & rubber washer PPM 3/8"	POD-HPZ-000071	8	POD-HPZ-000071	8

Key:

12*- 16* – included in: Set no. 41-7 N272 spreader TAURUS without distribution for vertical adapter (s+g) — **POD-HPR-000628**

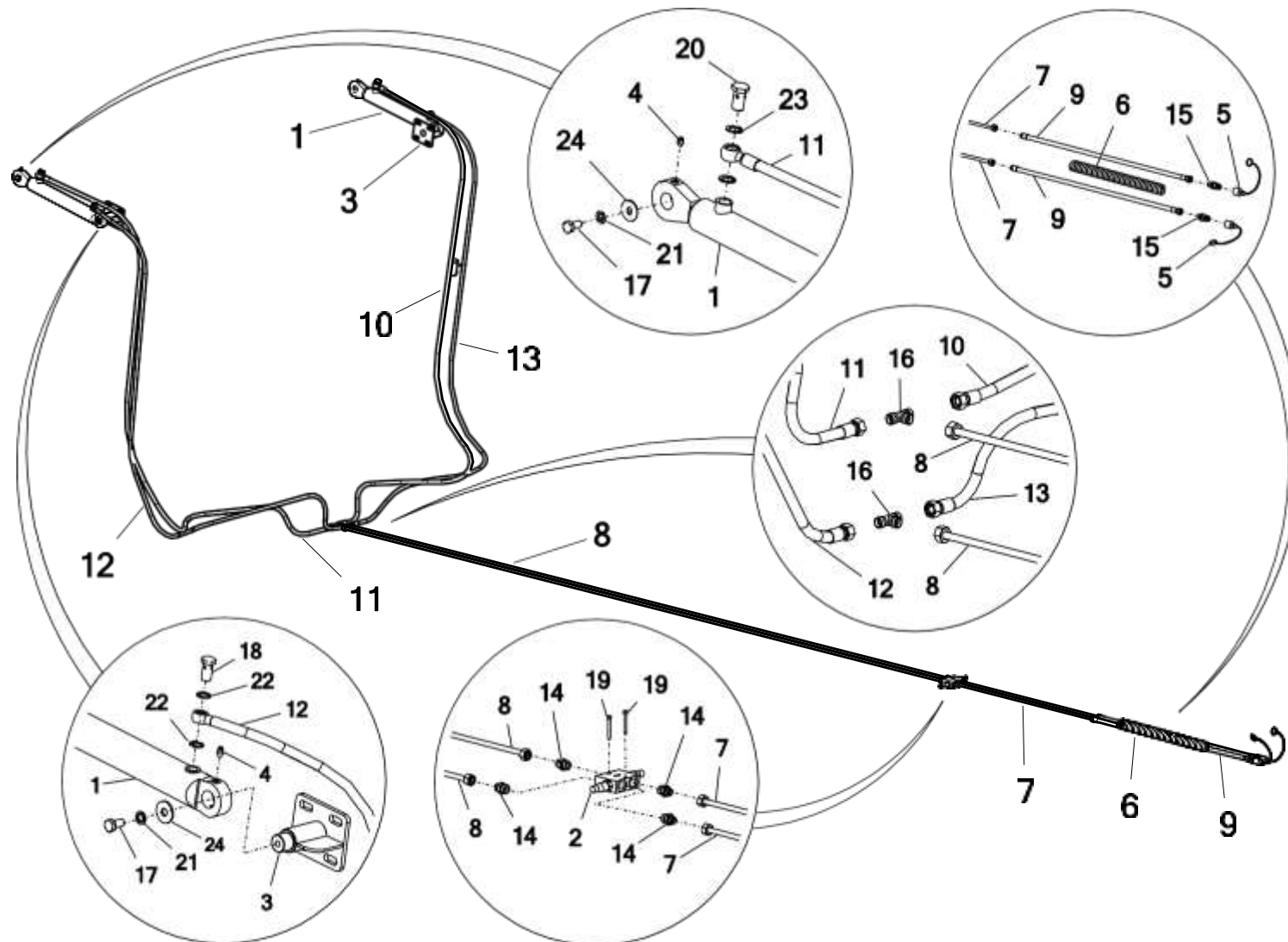
57. FOUR-SECTION HYDRAULIC SYSTEM – Guard section of the vertical adapter (from 2022)



57. FOUR-SECTION HYDRAULIC SYSTEM – Guard section of the vertical adapter (from 2022)

No.	Part or assembly name	Fig. or index No.			
		N272/1	Number	N272/2	Number
26	Elbow connector BB M18 x 1.5 12L	POD-HKR-000206	4	POD-HKR-000206	4
27	Bolt 8 x 20 galv. 8.8 82105 82105	23S8/20OC 8.8	2	23S8/20OC 8.8	2
28	Round washer 8 galv., 82005 82005	23P8OOC	2	23P8OOC	2
29	EURO valve-plug 13 M18 x 1.5	24ZWE13-M18X1,5	2	24ZWE13-M18X1,5	2
30	Seat valve cap EURO13 (green, yellow, blue, red)	24ZGNE13	2	24ZGNE13	2
31	EURO quick-coupling attachment 13 (green, yellow, blue, red)	24ZWNE13	4	24ZWNE13	4
32	T-connector 18 x 18 x 18 12L	24KT18/18/18	2	24KT18/18/18	2
33	Straight coupling 3/8 x 18-1.5 12LR	24KP3/8 18	4	24KP3/8 18	4

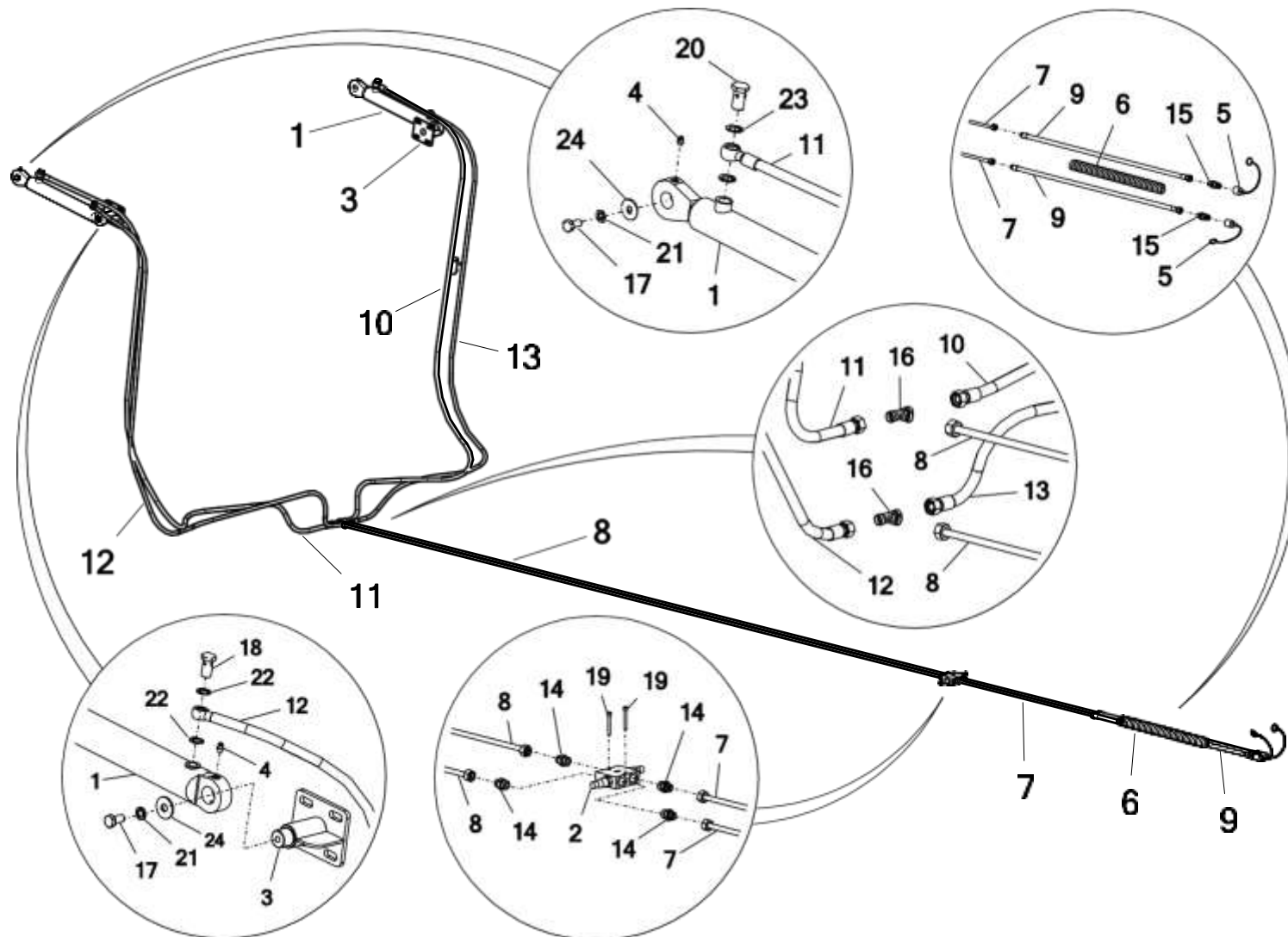
58. FOUR-SECTION HYDRAULIC SYSTEM - Guard section of the horizontal adapter



58. FOUR-SECTION HYDRAULIC SYSTEM - Guard section of the horizontal adapter

No.	Part or assembly name	Fig. or index No.			
		N272/1	Number	N272/2	Number
1	Cylinder 50/28/300z+U L-532	24SCJ2F-16-50/28/300	2	24SCJ2F-16-50/28/300	2
2	Cross overflow valve VBDC3802 210b -VAU 1/2-inch	24ZP	1	24ZP	1
3	Mounting of the horizontal tailgate cylinder	N272 03.38.00	2	N272 03.38.00	2
4	Lubricating nipple M6 x 1.0 straight	23SM	4	23SM	4
5	EURO quick-coupling attachment 13 (green, yellow, blue, red)	24ZWNE13	2	24ZWNE13	2
6	Spiral guard HG-32/int. diameter 28/ (25 – 32)	POD-HPZ-000042-1	2.5 m	POD-HPZ-000042-1	2.5 m
	Textile sleeve dia. 50 L-2500 (for hydr. line)	N272 03.21.00	1	N272 03.21.00	1
7	Cylinder bottom pipe I ø12 N272 03.20.01 L-950	POD-HPR-000627	2	POD-HPR-000627	2
8	Cylinder bottom pipe II ø12 N272 03.20.02 L-3900		2		2
9	Hydraulic hose BA/211/10 L-3000		2		2
10	Hydraulic hose ARNM/211/10 L-3000		1		1
11	Hydraulic hose ARNM/21_/10 L-3400		1		1
12	Hydraulic hose ARNM/211/10 L-3300		1		1
13	Hydraulic hose ARNM/211/10 L-2650		1		1

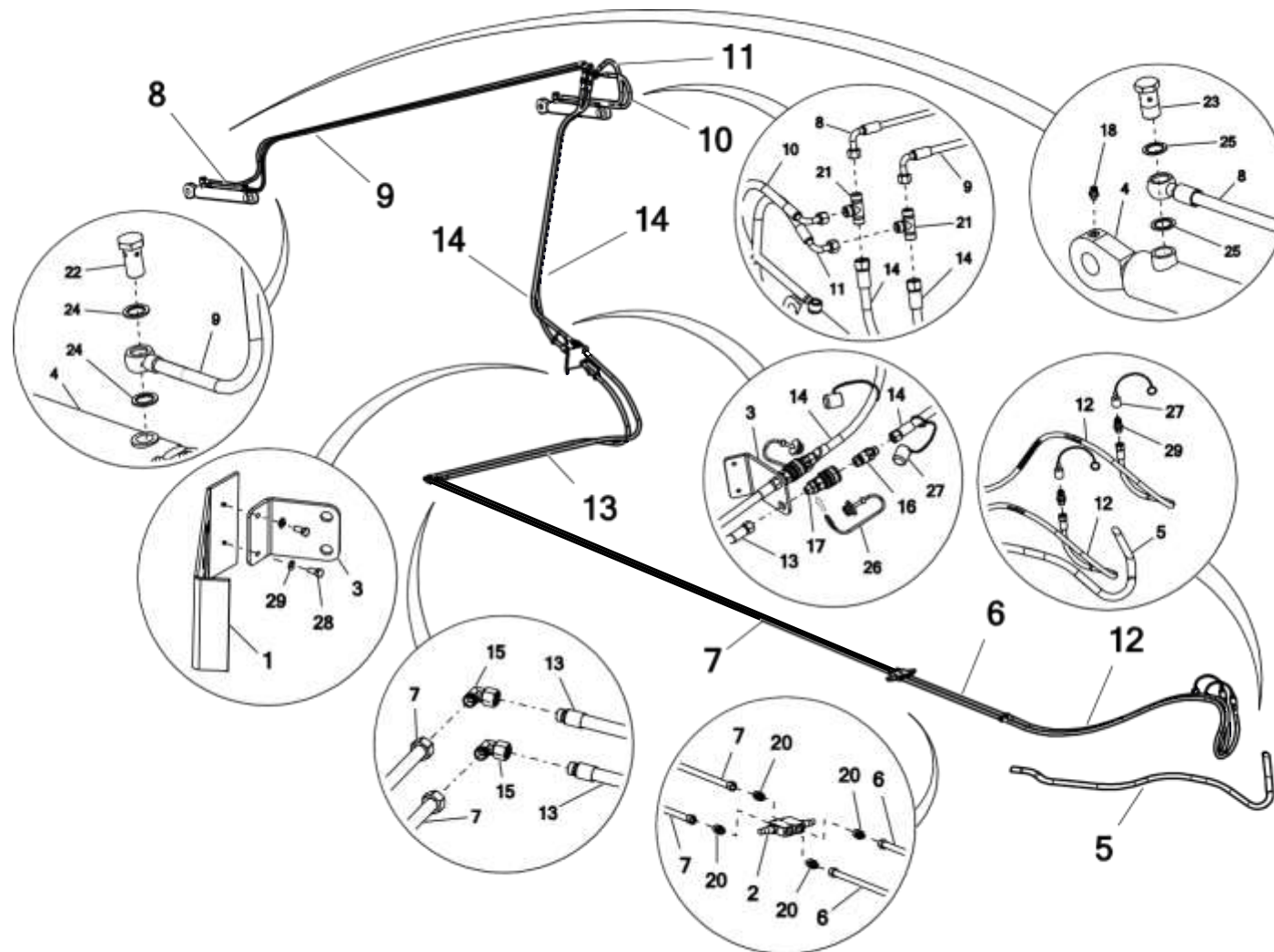
58. FOUR-SECTION HYDRAULIC SYSTEM - Guard section of the horizontal adapter



58. FOUR-SECTION HYDRAULIC SYSTEM - Guard section of the horizontal adapter

No.	Part or assembly name	Fig. or index No.			
		N272/1	Number	N272/2	Number
14	Straight coupling 1/2 edx18-1.5	24KP1/2 18	4	24KP1/2 18	4
15	Euro valve-plug M18 × 1.5	24ZWE13-M18X1,5	2	24ZWE13-M18X1,5	2
16	T-connector 18 × 18 × 18 12L	24KT18/18/18	2	24KT18/18/18	
17	Bolt 12 x 25 galv. 8.8 82105 82105	23S12/25OC 8.8	4	23S12/25OC 8.8	4
18	Eye bolt M16 x 1.5 15 L31	24SO16/1.5	2	24SO16/1.5	2
19	Allen bolt 6 x 50 galv. 8.8 82302	POD-ELZ-000752	2	POD-ELZ-000752	2
20	Eye bolt 1/2" 20 L36	24SO1/2"	2	24SO1/2"	2
21	Spring washer 12 galv. 82008 82008	23P12SP	2	23P12SP	2
22	Metal-rubber washer PPM 16 24 x 16	24UPPM16	4	24UPPM16	4
23	Metal & rubber washer PPM22 30 x 22	24UPPM22	4	24UPPM22	4
24	Round washer, 12 galv., coated 82030	23P12OOC	2	23P12OOC	2

**59. FOUR-SECTION HYDRAULIC SYSTEM – Guard section of the horizontal adapter
(from 2022)**



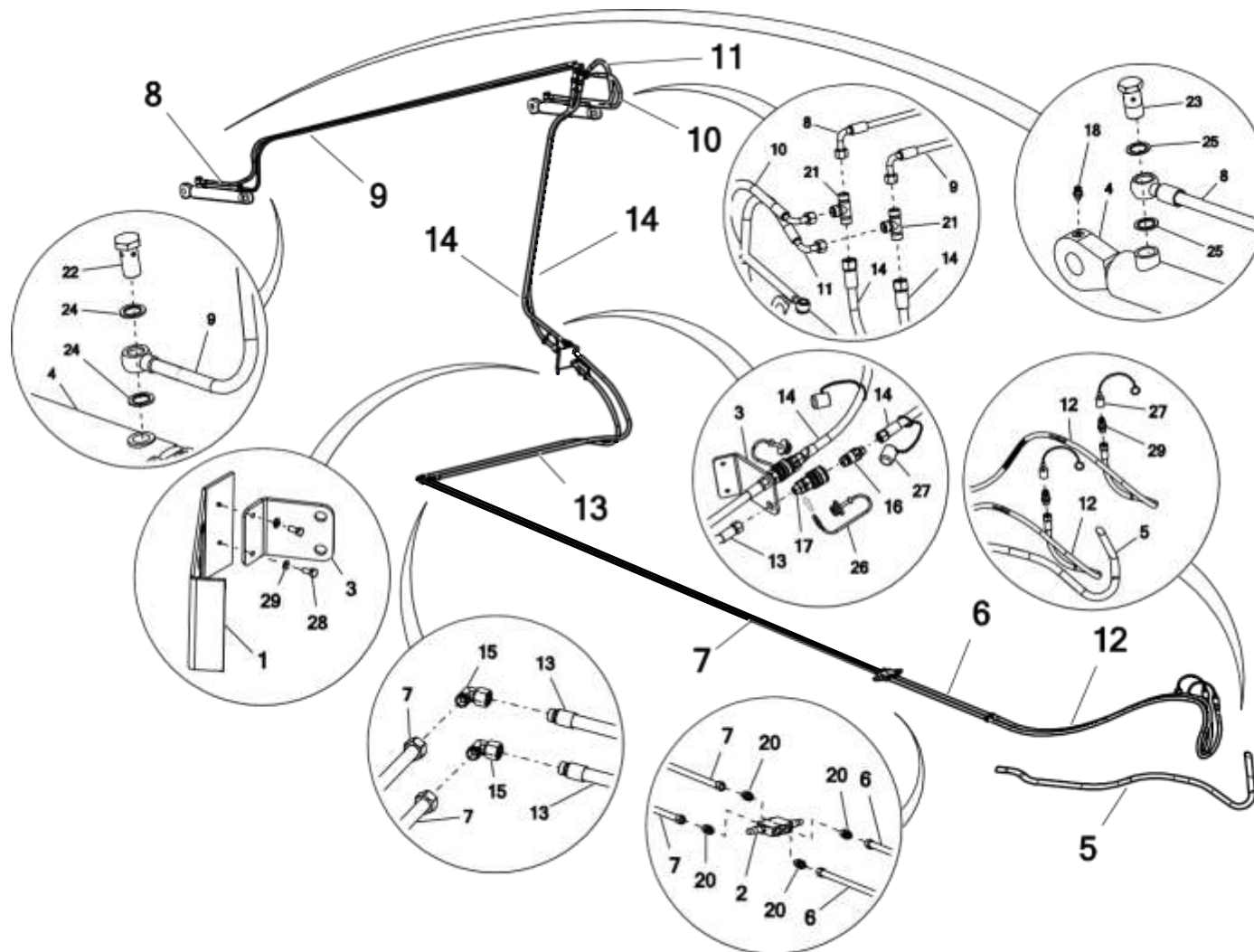
59. FOUR-SECTION HYDRAULIC SYSTEM – Guard section of the horizontal adapter (from 2022)

No.	Part or assembly name	Fig. or index No.			
		N272/1	Number	N272/2	Number
1	Body	N272-1 03.01.006	1	N272 03.01.00.6	1
2	Cross overflow valve VBDC3802 210b -VAU 1/2-inch	24ZP	1	24ZP	1
3	Support for quick release coupling sockets	N272 03.00.12	1	N272 03.00.12	1
4	Cylinder 50/28/300z+U L-532	24SCJ2F-16-50/28/300	2	24SCJ2F-16-50/28/300	2
5	Textile sleeve dia. 50 L-2500 (for hydr. line)	N272 03.21.00	1	N272 03.21.00	1
6*	Cylinder bottom pipe I ø12 N272 03.20.01 L-950	POD-HPR-000627	2	POD-HPR-000627	2
7*	Cylinder bottom pipe II ø12 N272 03.20.02 L-3900		2		2
8*	Hydraulic hose RNMA90/211/10 L-3150		1		1
9*	Hydraulic hose RNMA90/211/10 L-2750		1		1
10*	Hydraulic hose RNMA90/211/10 L-1200		1		1
11*	Hydraulic hose RNMA90/211/10 L-800		1		1

Key:

6*- 11* – included in: Set no. 41-6 N272 spreader TAURUS without distribution for horizontal adapter (s+g) – **POD-HPR-000627**

**59. FOUR-SECTION HYDRAULIC SYSTEM – Guard section of the horizontal adapter
(from 2022)**



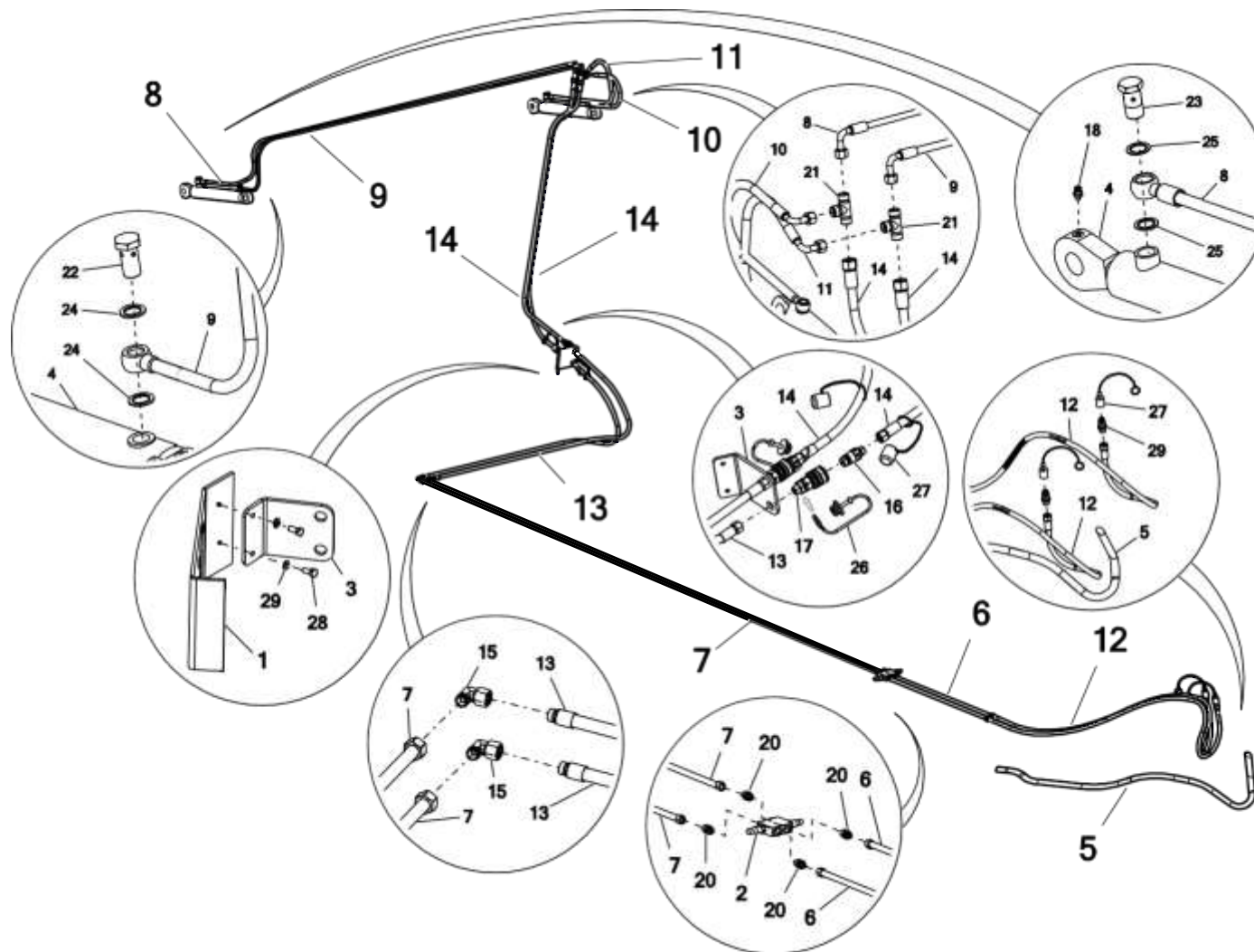
59. FOUR-SECTION HYDRAULIC SYSTEM – Guard section of the horizontal adapter (from 2022)

No.	Part or assembly name	Fig. or index No.			
		N272/1	Number	N272/2	Number
12*	Hydraulic hose BA/211/10 L-3000	POD-HPR-000627	2	POD-HPR-000627	2
13*	Hydraulic hose AB/211/10 L-1500		2		2
14*	Hydraulic hose AA/211/10 L-1900		2		2
15	Adjustable elbow connector AB M18 x 1,5 12L	24KPKN18X1.5	2	24KPKN18X1,5	2
16	EURO valve-plug 13 M18 × 1.5	24ZWE13-M18X1,5	2	24ZWE13-M18X1,5	2
17	EURO valve seat M18 x 1.5 long	POD-HZW-000039	2	POD-HZW-000039	2
18	Lubricating nipple M6 x 1.0 straight	23SM	4	23SM	4
19	EURO valve-plug 13 M18 × 1.5	24ZWE13-M18X1,5	2	24ZWE13-M18X1,5	2
20	Straight coupling 3/8 x 18-1.5 12LR	24KP3/8 18	4	24KP3/8 18	4
21	T-connector 18 × 18 × 18 12L	4KT18/18/18	2	4KT18/18/18	2
22	Eye bolt M16 x 1.5 15 L31	Eye bolt M16 x 1.5 15 L31	2	Eye bolt M16 x 1.5 15 L31	2
23	Eye bolt 1/2" 20 L36	24SO1/2"	2	24SO1/2"	2

Key:

12*- 14* – included in: Set no. 41-6 N272 spreader TAURUS without distribution for horizontal adapter (s+g) – **POD-HPR-000627**

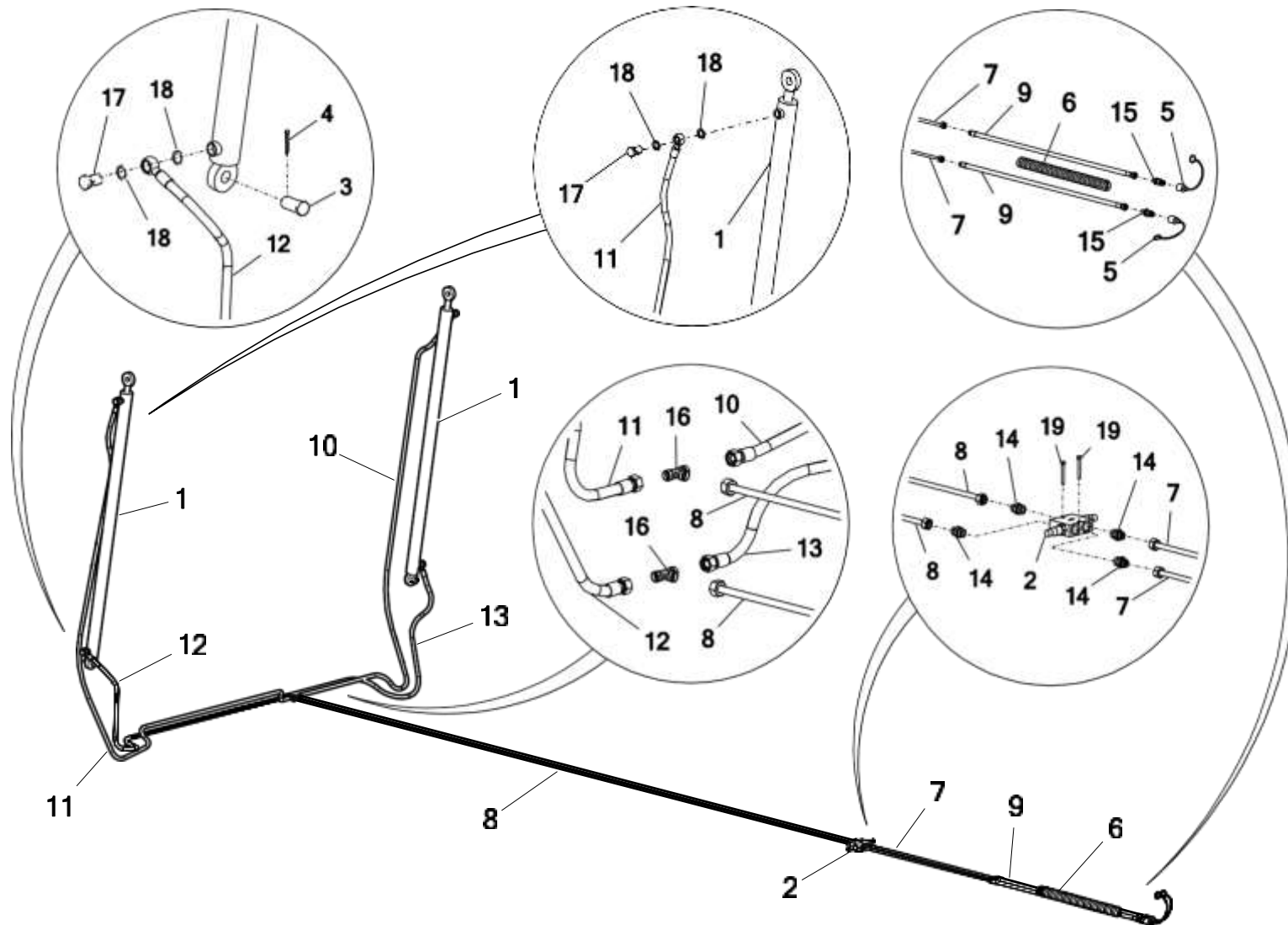
**59. FOUR-SECTION HYDRAULIC SYSTEM – Guard section of the horizontal adapter
(from 2022)**



**59. FOUR-SECTION HYDRAULIC SYSTEM – Guard section of the horizontal adapter
(from 2022)**

No.	Part or assembly name	Fig. or index No.			
		N272/1	Number	N272/2	Number
24	Metal-rubber washer PPM 16 24 x 16	24UPPM16	4	24UPPM16	4
25	Metal & rubber washer PPM22 30 x 22	24UPPM22	4	24UPPM22	4
26	EURO13 valve socket cap (green, yellow, blue, red)	24ZGNE13	2	24ZGNE13	2
27	EURO 13 valve socket cap (green, yellow, blue, red)	24ZWNE13	4	24ZWNE13	4
28	Bolt 8 x 20 galv. 8.8 82105 82105	23S8/20OC 8.8	2	23S8/20OC 8.8	2
29	Round washer 8 galv., 82005 82005	23P8OOC	2	23P8OOC	2

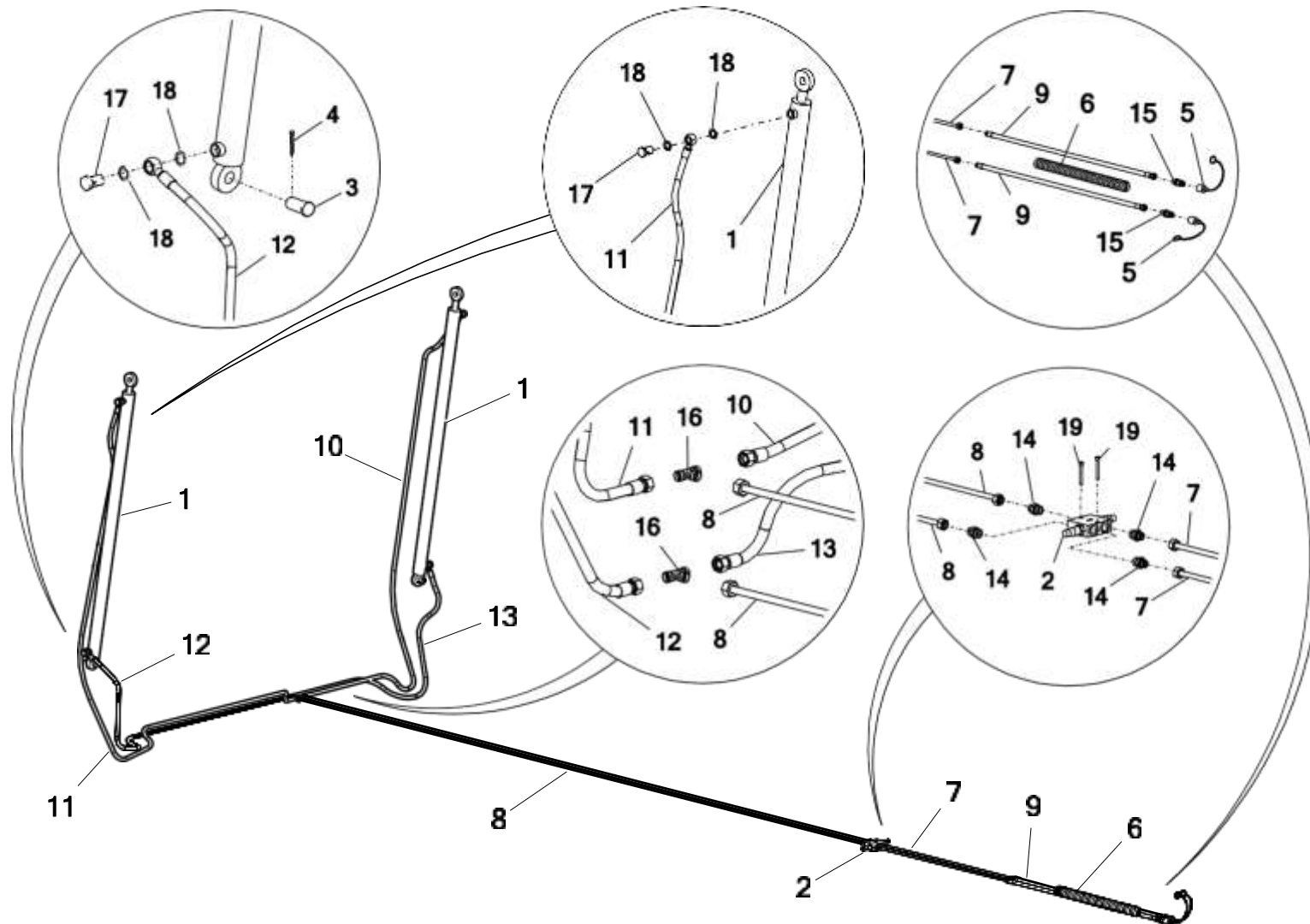
60. FOUR-SECTION HYDRAULIC SYSTEM - Tailgate section



60. FOUR-SECTION HYDRAULIC SYSTEM - Tailgate section

No.	Part or assembly name	Fig. or index No.			
		N272/1	Number	N272/2	Number
1	Cylinder USJ2F-50/28/1300*L-1477	POD-HSL-000023-1	2	POD-HSL-000023-1	2
2	Cross overflow valve VBDC3802 210b -VAU 1/2-inch	24ZP	1	24ZP	1
3	Tailgate bolt N272-3 04.03.02	N272-3 04.03.02	2	N272-3 04.03.02	2
4	Cotter pin 5x40	POD-ELZ-000994	2	POD-ELZ-000994	2
5	EURO quick-coupling attachment 13 (green, yellow, blue, red)	24ZWNE13	2	24ZWNE13	2
6	Spiral guard HG-32/int. diameter 28/ (25 – 32)	POD-HPZ-000042-1	2.5 m	POD-HPZ-000042-1	2.5 m
	Textile sleeve dia. 50 L-2500 (on hydr. line)	N272 03.21.00	1	N272 03.21.00	1
7	Cylinder bottom pipe I ø12 N272 03.20.01 L-950	POD-HPR-000628	2	POD-HPR-000628	2
8	Cylinder bottom pipe II ø12 N272 03.20.01 L-3900		2		2
9	Hydraulic hose BA/211/10 L-3000		2		2
10	Hydraulic hose ARNM/21_/10 L-1900		1		1
11	Hydraulic hose AA90/211/10 L-2150		1		1
12	Hydraulic hose ARNM/21_/10 L-2350		1		1
13	Hydraulic hose ARNM/21_/10 L-1750		1		1

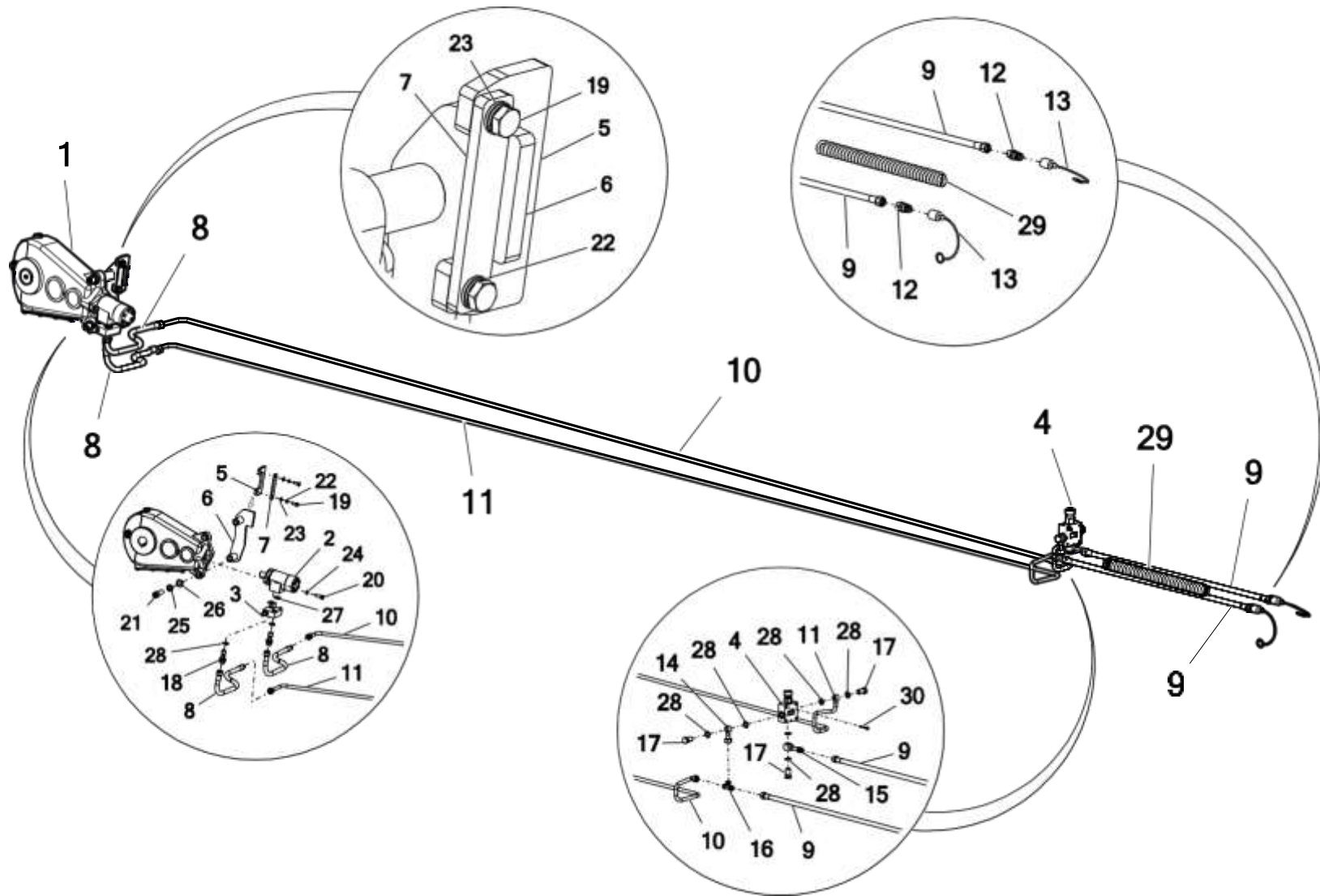
60. FOUR-SECTION HYDRAULIC SYSTEM - Tailgate section



60. FOUR-SECTION HYDRAULIC SYSTEM - Tailgate section

No.	Part or assembly name	Fig. or index No.			
		N272/1	Number	N272/2	Number
14	Straight coupling 1/2 edx18-1.5	24KP1/2 18	4	24KP1/2 18	4
15	Euro valve-plug M18 × 1.5	24ZWE13-M18X1,5	2	24ZWE13-M18X1,5	2
16	T-connector 18 × 18 × 18 12L	24KT18/18/18	2	24KT18/18/18	
17	Eye bolt 1/2" 20 L36	24SO1/2"	4	24SO1/2"	4
18	Metal & rubber washer PPM22 30 x 22	24UPPM22	4	24UPPM22	4
19	Allen bolt 6 x 50 galv. 8.8 82302	POD-ELZ-000752	2	POD-ELZ-000752	2

61. FOUR-SECTION HYDRAULIC SYSTEM - Floor conveyor section

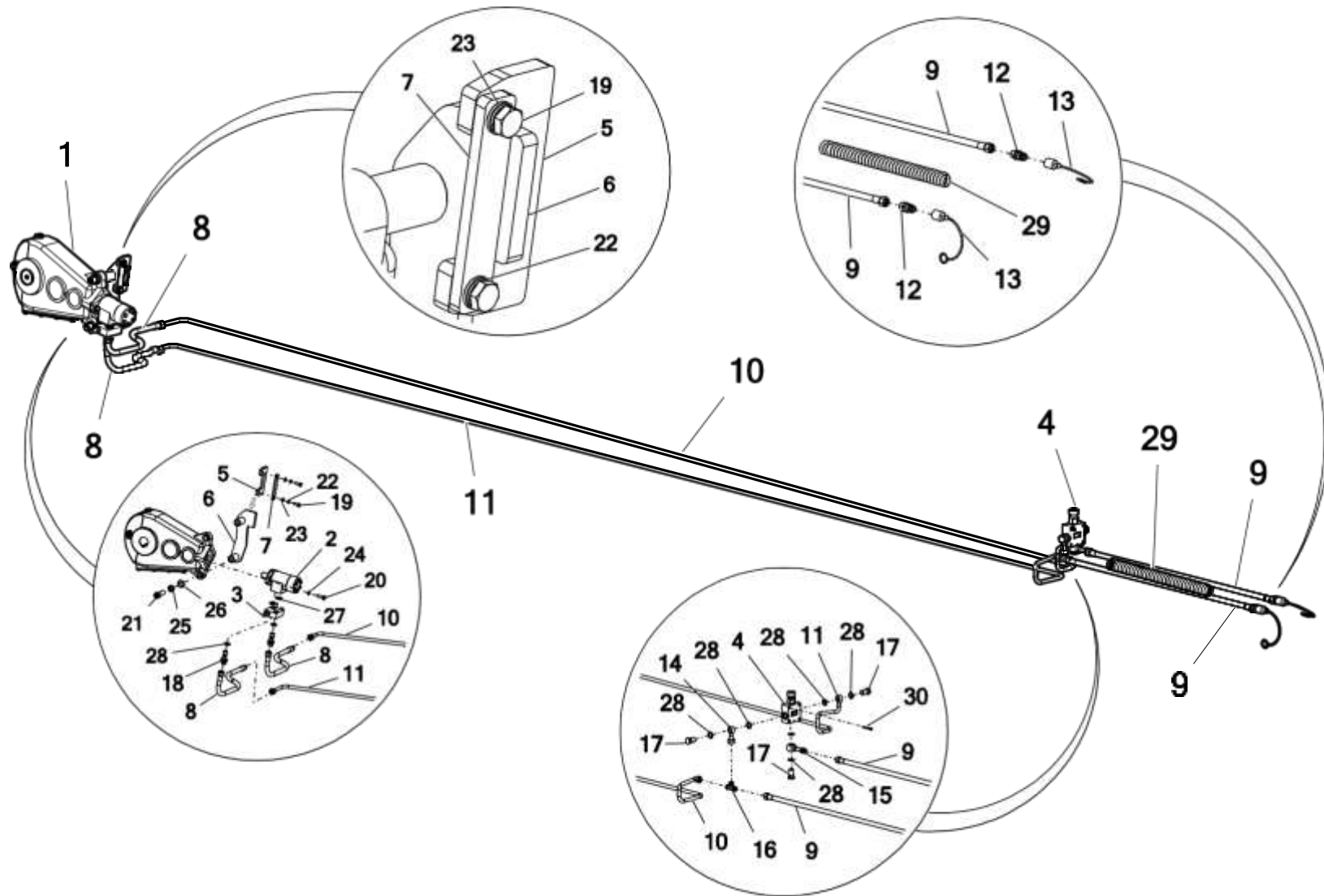


61. FOUR-SECTION HYDRAULIC SYSTEM - Floor conveyor section

No.	Part or assembly name	Fig. or index No.			
		N272/1	Number	N272/2	Number
1	Side gearbox PRK-550-01- AAB.R1	POD-WPS-000153	1	POD-WPS-000153	1
2	OMR 160 (BMR) hydraulic motor	POD-HSL-000003-1	1	POD-HSL-000003-1	1
3	Block valve VAU OM 1-2 WSC - 100/100 bar	POD-HZW-000099	1	POD-HZW-000099	1
4	POD-HZW-000113	POD-HZW-000113	1	POD-HZW-000113	1
5*	Gearbox interlock TAURUS	N272 03.01.144	1	N272 03.01.144	1
6	Side gearbox mounting, complete	N272-3 03.39.00	1	N272-3 03.39.00	1
7	Gear mounting protection	N272-3 03.00.11	1	N272-3 03.00.11	1
8	Hydraulic hose AB/233/13 L-700	POD-HPR-000628	2	POD-HPR-000628	2
9	Hydraulic hose AA/233/13 L-3000		2		2
10	Conveyor steel pipe N272 11.00.02		1		1
11	Conveyor steel pipe N272 11.00.01		1		1
12	Euro valve-plug 13 M22 x 1.5	24WE13	2	24WE13	2
13	EURO quick-coupling attachment 13 (green, yellow, blue, red)	24ZWNE13	2	24ZWNE13	2
14	Loop 1-2 + pipe \varnothing 15 L=50 + ring \varnothing 15 + nut M22	POD-HPR-000628	1	POD-HPR-000628	1
15	Loop 3-4 + connector M22 x 1.5		1		1

Key: 5* – inseparable part of the body – N272-1 03.01.00.6, N272 03.01.00.6

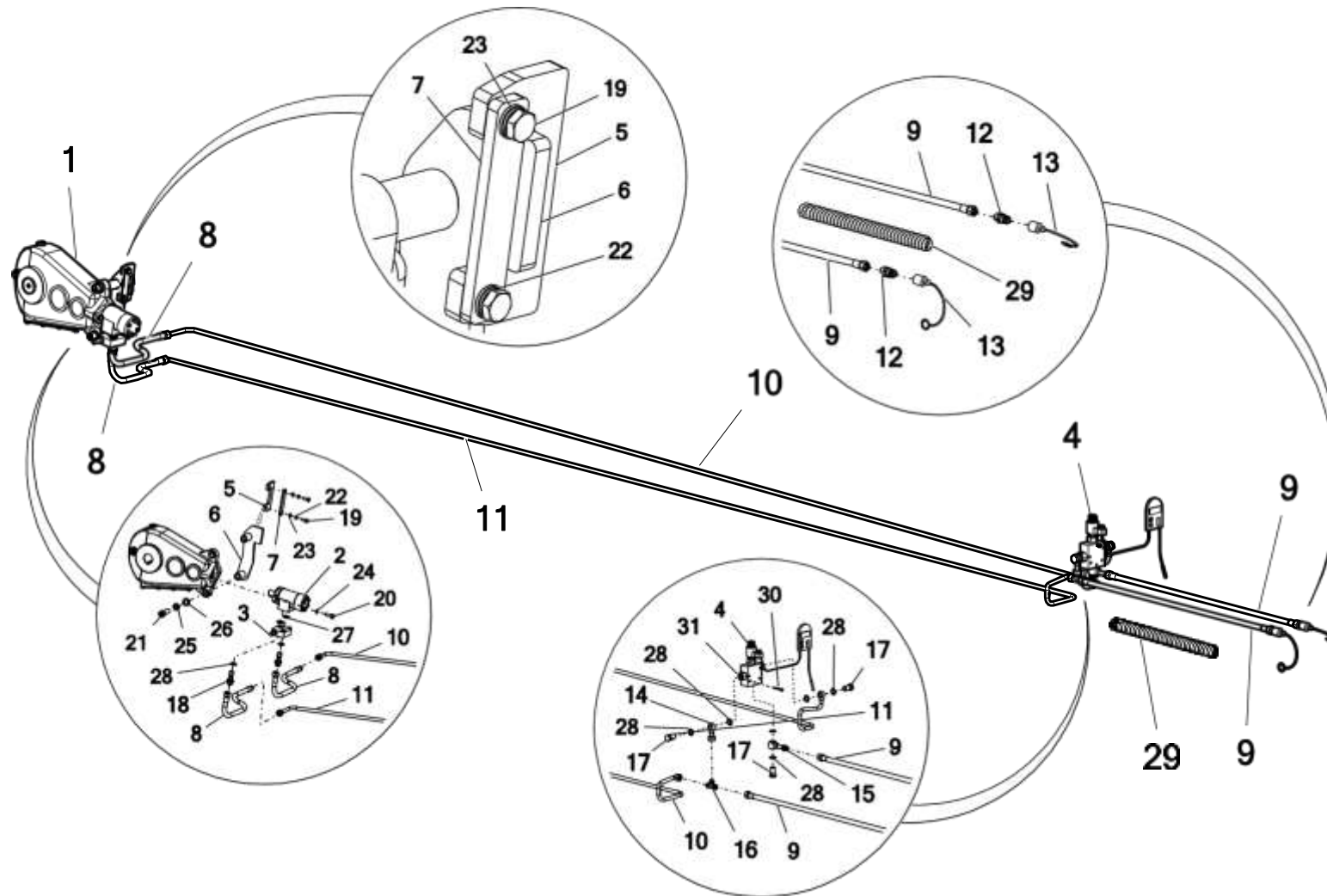
61. FOUR-SECTION HYDRAULIC SYSTEM - Floor conveyor section



61. FOUR-SECTION HYDRAULIC SYSTEM - Floor conveyor section

No.	Part or assembly name	Fig. or index No.			
		N272/1	Number	N272/2	Number
16	T-connector 22 x 22 x 22 15 L	POD-HKR-000007-1	1	POD-HKR-000007-1	1
17	Eye bolt 1/2" 20 L36	24SO1/2"	3	24SO1/2"	3
18	Hydraulic connecting bolt for the motor M22 x 1.5	POD-HZW-000099	2	POD-HZW-000099	2
19	Bolt 10 x 25 galv. 8.8 82105 82105	23S10/25OC 8.8	2	23S10/25OC 8.8	2
20	Bolt 12 x 35 galv. 8.8 82105 82105	23S12/35OC 8.8	2	23S12/35OC 8.8	2
21	Allen bolt 20 x 60 galv. 12.9 82302	POD-ELZ-000859	2	POD-ELZ-000859	2
22	Spring washer 10.2 galv. 82008 82008	23P10SP	2	23P10SP	2
23	Round washer 10 galv. 82005 82005	23P10 82005	2	23P10 82005	2
24	Spring washer 12 galv., 82008 82008	23P12SP	2	23P12SP	2
25	Spring washer, 20.5 galv. 82008 82008	23P20SP	2	23P20SP	2
26	Round washer 20 galv., 82005 82005	23P20OOC	2	23P20OOC	2
27	Metal-rubber washer PPM 3/4" (M27)	POD-HPZ-000052	4	POD-HPZ-000052	4
28	Metal & rubber washer PPM22 30 x 22	24UPPM22	6	24UPPM22	6
29	Spiral guard HG-32/int. diameter 28/ (25 – 32)	POD-HPZ-000042-1	2.5 m	POD-HPZ-000042-1	2.5 m
	Textile sleeve dia. 50 L-2500 (for hydr. line)	N272 03.21.00	1	N272 03.21.00	1
30	Allen bolt 6 x 50 black, 8.8 82302 82302 8.8	23SI6/50 8.8	4	23SI6/50 8.8	4

62. FOUR-SECTION HYDRAULIC SYSTEM – Floor conveyor section (Ponar valve)



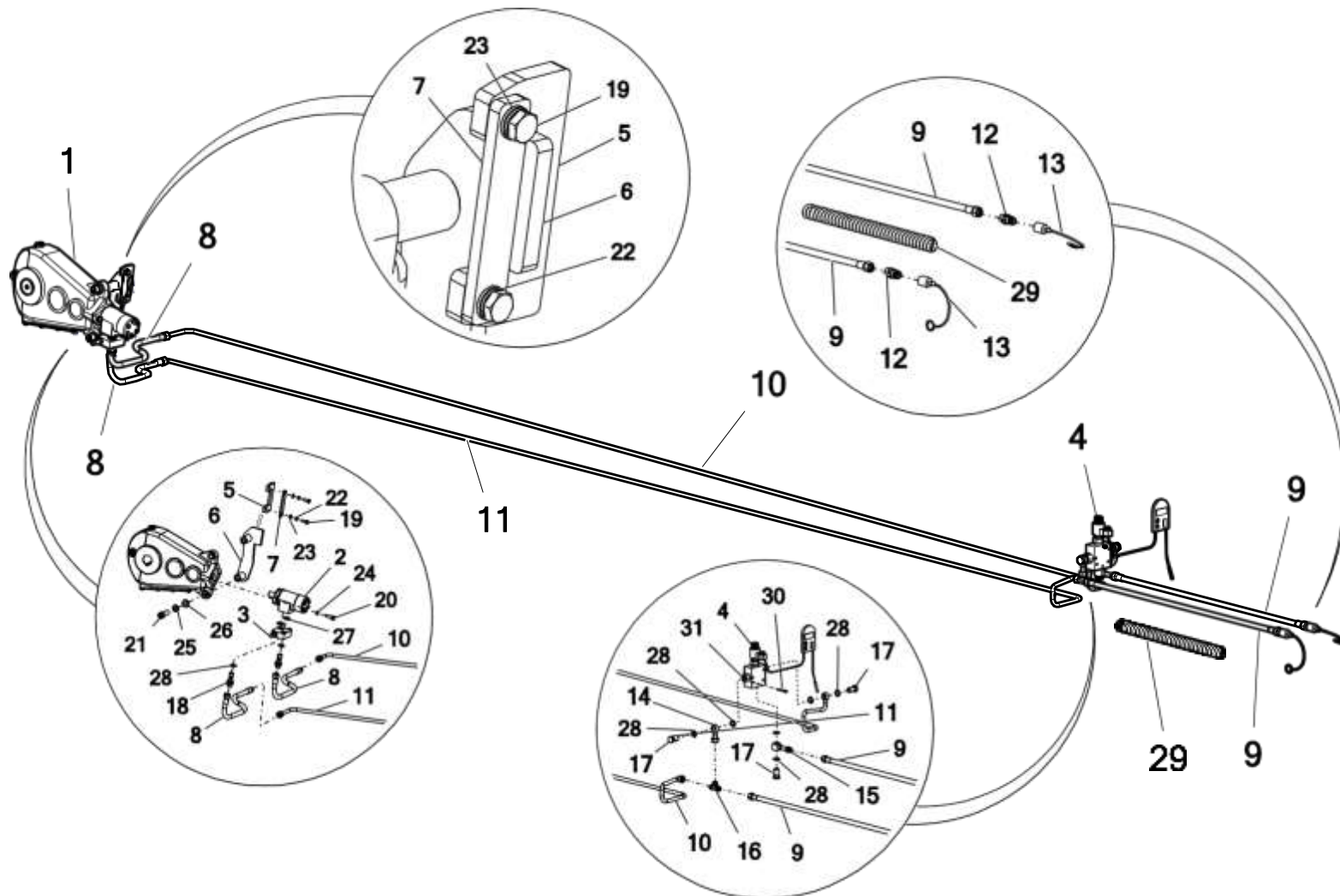
62. FOUR-SECTION HYDRAULIC SYSTEM – Floor conveyor section (Ponar valve)

No.	Part or assembly name	Fig. or index No.			
		N272/1	Number	N272/2	Number
1	Side gearbox PRK-550-01- AAB.R1 (N272/3)	POD-WPS-000153	1	POD-WPS-000153	1
2	OMR 160 (BMR) hydraulic motor	POD-HSL-000003-1	1	POD-HSL-000003-1	1
3	Block valve VAU OM 1-2 WSC - 100/100 bar	POD-HZW-000099	1	POD-HZW-000099	1
4	Floor prop control WDUD10-02/90- at the M1-12-Z4 level; 3UL10/4-G4; ARPWM-12V	POD-HZW-000140	1	POD-HZW-000140	1
5*	Gearbox interlock TAURUS	N272 03.01.144	1	N272 03.01.144	1
6	Side gearbox mounting, complete	N272-3 03.39.00	1	N272-3 03.39.00	1
7	Gear mounting protection	N272-3 03.00.11	1	N272-3 03.00.11	1
8	Hydraulic hose AB/233/13 L-700	POD-HPR-000628	2	POD-HPR-000628	2
9	Hydraulic hose AA/233/13 L-3000		2		2
10	Conveyor steel pipe N272 11.00.02		1		1
11	Conveyor steel pipe N272 11.00.01		1		1

Key:

5* – inseparable part of the body – **N272-1 03.01.00.6, N272 03.01.00.6**

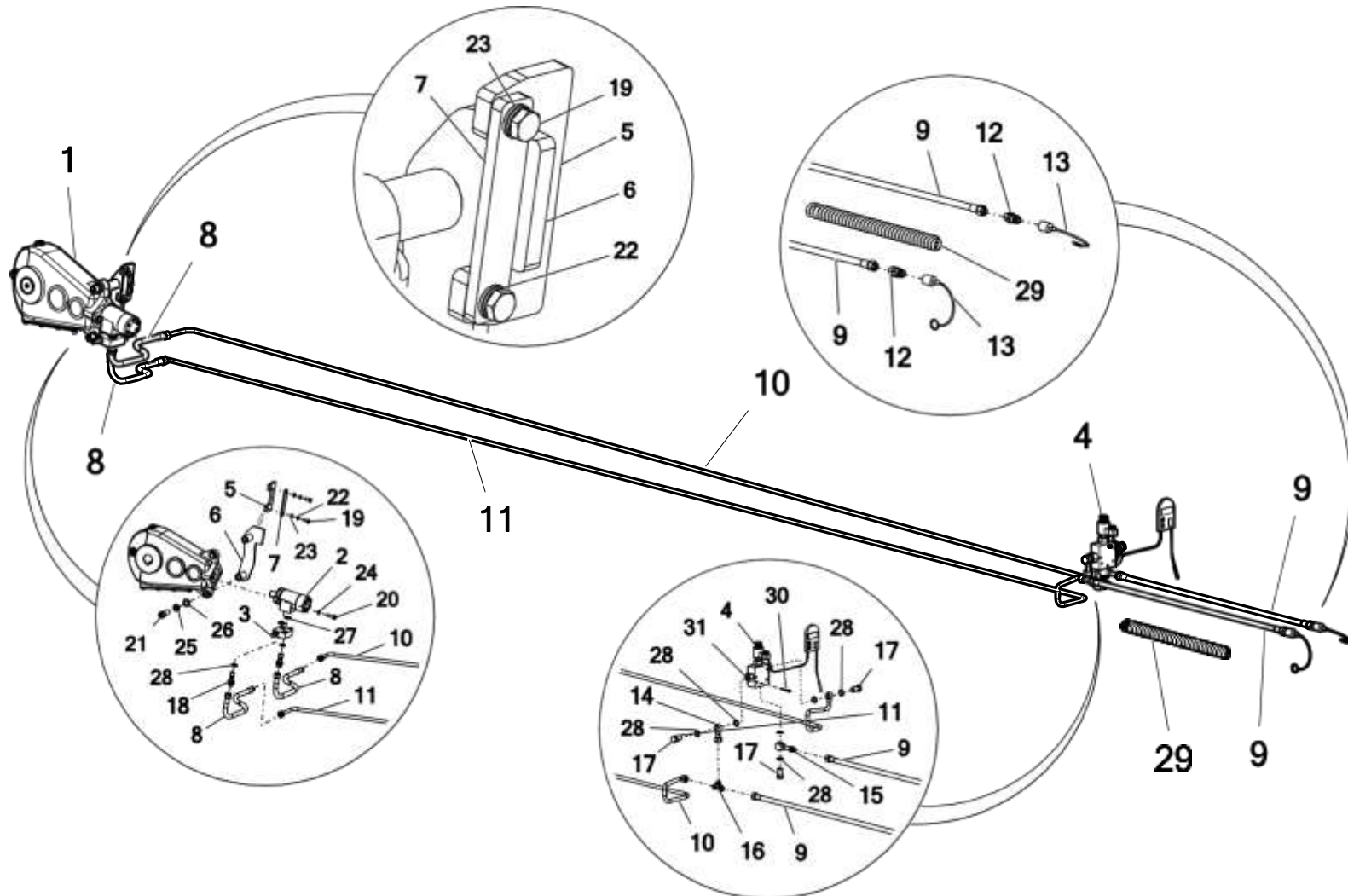
62. FOUR-SECTION HYDRAULIC SYSTEM – Floor conveyor section (Ponar valve)



62. FOUR-SECTION HYDRAULIC SYSTEM – Floor conveyor section (Ponar valve)

No.	Part or assembly name	Fig. or index No.			
		N272/1	Number	N272/2	Number
12	Euro valve-plug 13 M22 x 1.5	24WE13	2	24WE13	2
13	EURO quick-coupling attachment 13 (green, yellow, blue, red)	24ZWNE13	2	24ZWNE13	2
14	Loop 1-2 + pipe $\varnothing 15$ L=50 + ring $\varnothing 15$ + nut M22	POD-HPR-000628	1	POD-HPR-000628	1
15	Loop 3-4 + connector M22 x 1.5	N272 03.20.07	1	N272 03.20.07	1
16	T-connector 22 x 22 x 22 15 L	POD-HKR-000007-1	1	POD-HKR-000007-1	1
17	Eye bolt 1/2" 20 L36	24SO1/2"	2	24SO1/2"	2
18	Hydraulic connecting bolt for the motor M22 x 1.5	POD-HZW-000099	2	POD-HZW-000099	2
19	Bolt 10 x 25 galv. 8.8 82105 82105	23S10/25OC 8.8	2	23S10/25OC 8.8	2
20	Bolt 12 x 35 galv. 8.8 82105 82105	23S12/35OC 8.8	2	23S12/35OC 8.8	2
21	Allen bolt 20 x 60 galv. 12.9 82302	POD-ELZ-000859	2	POD-ELZ-000859	2
22	Spring washer 10.2 galv. 82008 82008	23P10SP	2	23P10SP	2
23	Round washer 10 galv. 82005 82005	23P10 82005	2	23P10 82005	2

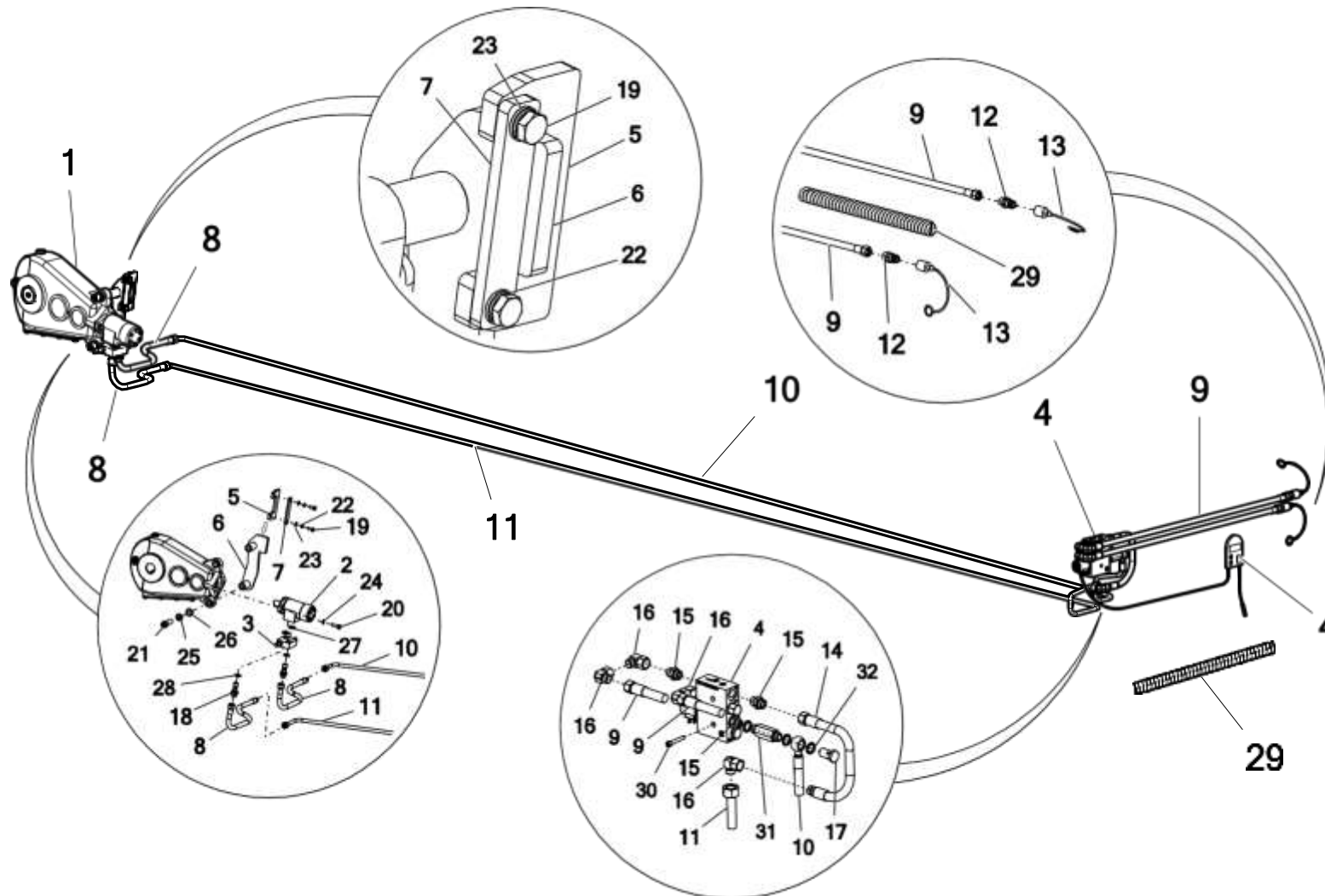
62. FOUR-SECTION HYDRAULIC SYSTEM – Floor conveyor section (Ponar valve)



62. FOUR-SECTION HYDRAULIC SYSTEM – Floor conveyor section (Ponar valve)

No.	Part or assembly name	Fig. or index No.			
		N272/1	Number	N272/2	Number
24	Spring washer 12 galv., 82008 82008	23P12SP	2	23P12SP	2
25	Spring washer, 20.5 galv. 82008 82008	23P20SP	2	23P20SP	2
26	Round washer 20 galv., 82005 82005	23P20OOC	2	23P20OOC	2
27	Metal-rubber washer PPM 3/4" (M27)	POD-HPZ-000052	4	POD-HPZ-000052	4
28	Metal & rubber washer PPM22 30 x 22	24UPPM22	6	24UPPM22	6
29	Spiral guard HG-32/int. diameter 28/ (25 – 32)	POD-HPZ-000042-1	2.5 m	POD-HPZ-000042-1	2.5 m
	Textile sleeve dia. 50 L-2500 (for hydr. line)	N272 03.21.00	1	N272 03.21.00	1
30	Allen bolt 6 x 50 black, 8.8 82302 82302 8.8	23SI6/50 8.8	4	23SI6/50 8.8	4
31	Reduction 3/4 " x 1/2" ext. L-42	POD-HKR-000187	2	POD-HKR-000187	2

63. FOUR-SECTION HYDRAULIC SYSTEM – Floor conveyor section (Iventec valve)



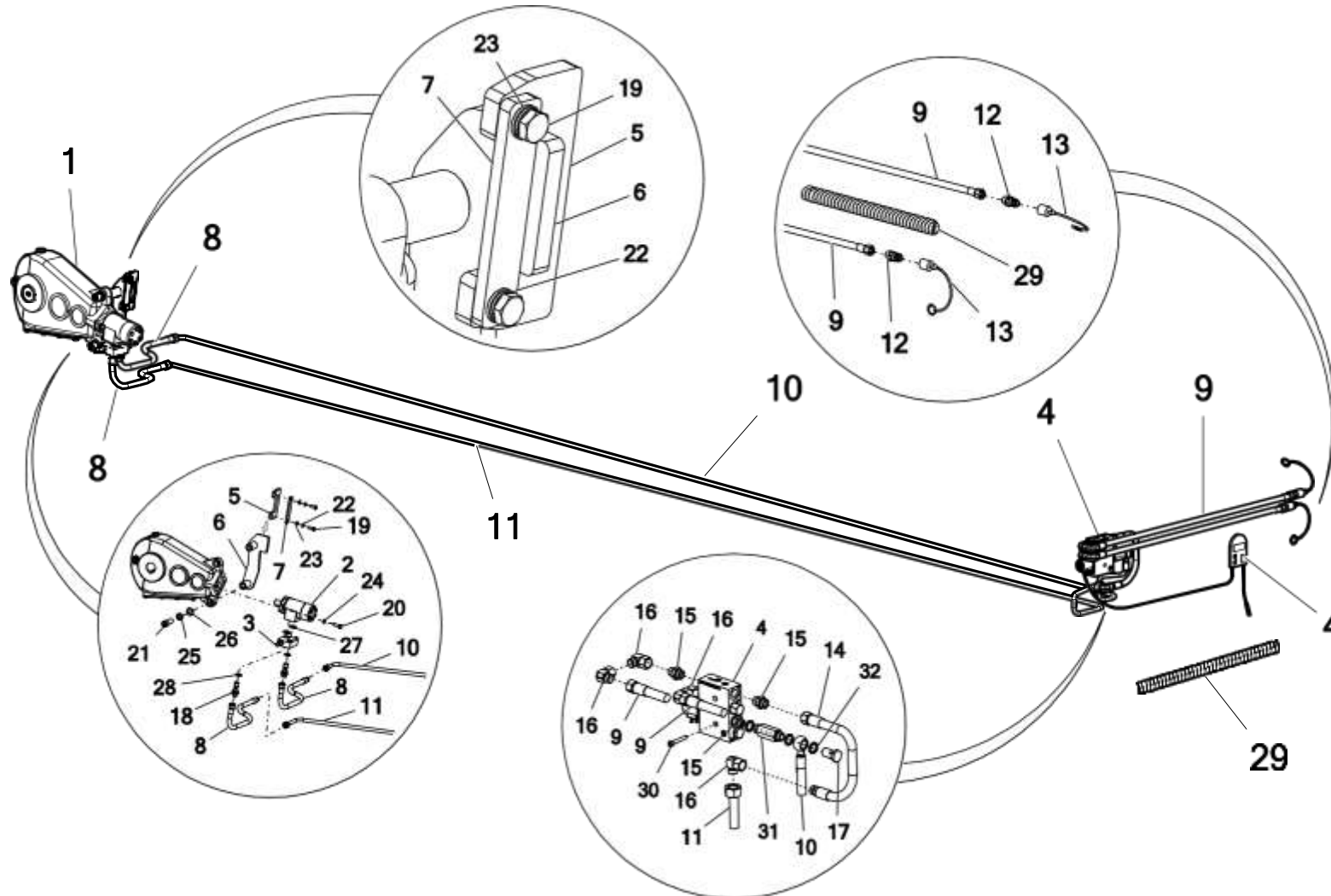
63. FOUR-SECTION HYDRAULIC SYSTEM – Floor conveyor section (Iventec valve)

No.	Part or assembly name	Fig. or index No.			
		N272/1	Number	N272/2	Number
1	Side gearbox PRK-550-01- AAB.R1 (N272/3)	POD-WPS-000153	1	POD-WPS-000153	1
2	OMR 160 (BMR) hydraulic motor	POD-HSL-000003-1	1	POD-HSL-000003-1	1
3	Block valve VAU OM 1-2 WSC - 100/100 bar	POD-HZW-000099	1	POD-HZW-000099	1
4	Controlled solenoid valve FLW 40 004 20 IVE	POD-HPZ-000381	1	POD-HPZ-000381	1
5*	Gearbox interlock TAURUS	N272 03.01.144	1	N272 03.01.144	1
6	Side gearbox mounting, complete	N272-3 03.39.00	1	N272-3 03.39.00	1
7	Gear mounting protection	N272-3 03.00.11	1	N272-3 03.00.11	1
8	Hydraulic hose AB/233/13 L-700	POD-HPR-000628	2	POD-HPR-000628	2
9	Hydraulic hose AA/233/13 L-3000		2		2
10	Conveyor steel pipe N272 11.00.02		1		1
11	Conveyor steel pipe N272 11.00.01		1		1

Key:

5* – inseparable part of the body – **N272-1 03.01.00.6, N272 03.01.00.6**

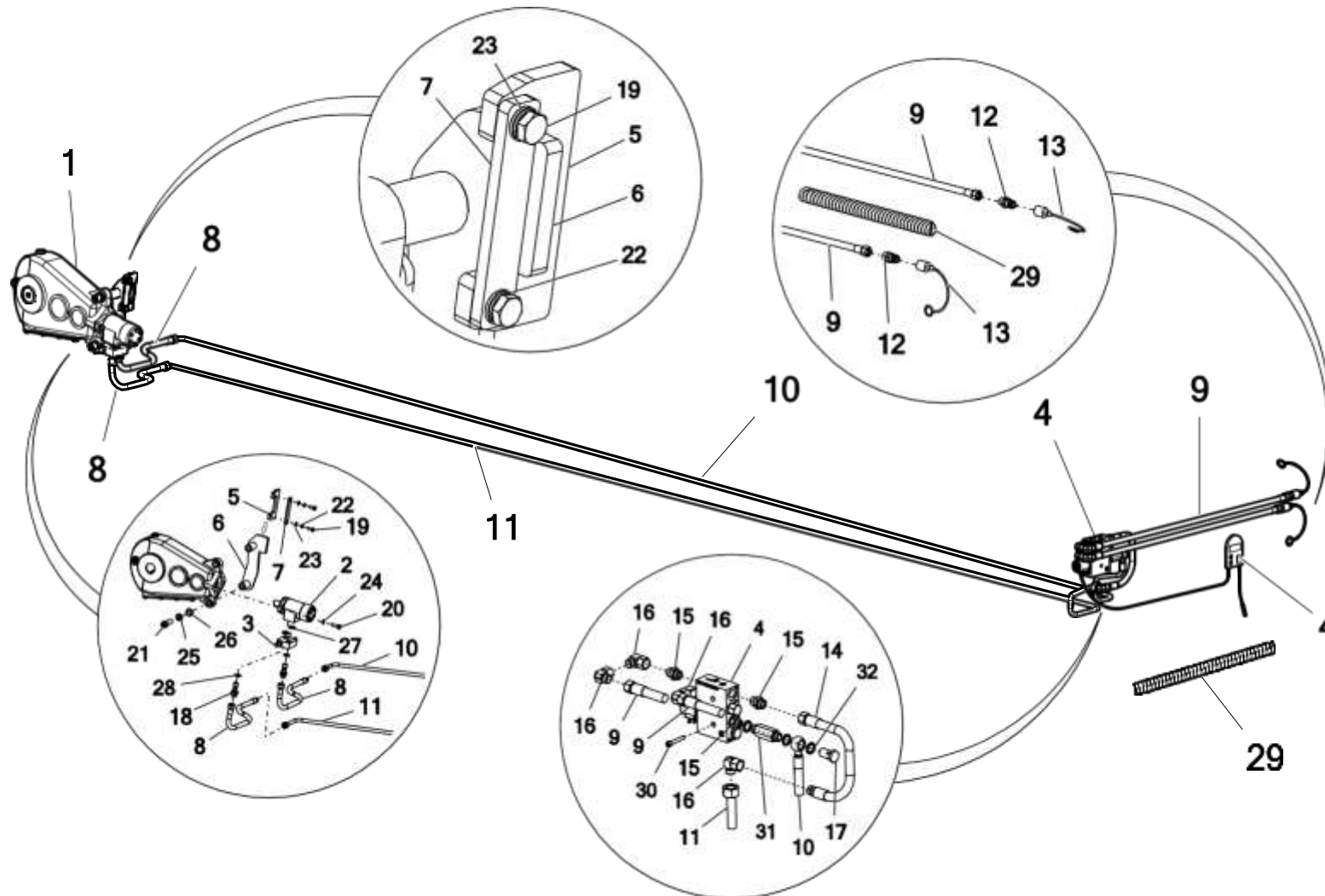
63. FOUR-SECTION HYDRAULIC SYSTEM – Floor conveyor section (Iventec valve)



63. FOUR-SECTION HYDRAULIC SYSTEM – Floor conveyor section (Iventec valve)

No.	Part or assembly name	Fig. or index No.			
		N272/1	Number	N272/2	Number
12	Euro valve-plug 13 M22 x 1.5	24WE13	2	24WE13	2
13	EURO quick-coupling attachment 13 (green, yellow, blue, red)	24ZWNE13	2	24ZWNE13	2
14	Hydraulic hose AB/233/13 L-450	POD-HPR-001133	1	POD-HPR-001133	1
15	Straight coupling 1/2 edx22-1.5 15L	24K1/2 22	3	24K1/2 22	3
16	Adjustable elbow fitting M22x1.5 15L	24KPKN22X1,5	5	24KPKN22X1,5	5
17	Eye bolt 1/2" 20 L36	24SO1/2"	1	24SO1/2"	1
18	Hydraulic connecting bolt for the motor M22 x 1.5	POD-HZW-000099	2	POD-HZW-000099	2
19	Bolt 10 x 25 galv. 8.8 82105 82105	23S10/25OC 8.8	2	23S10/25OC 8.8	2
20	Bolt 12 x 35 galv. 8.8 82105 82105	23S12/35OC 8.8	2	23S12/35OC 8.8	2
21	Allen bolt 20 x 60 galv. 12.9 82302	POD-ELZ-000859	2	POD-ELZ-000859	2
22	Spring washer 10.2 galv. 82008 82008	23P10SP	2	23P10SP	2
23	Round washer 10 galv. 82005 82005	23P10 82005	2	23P10 82005	2

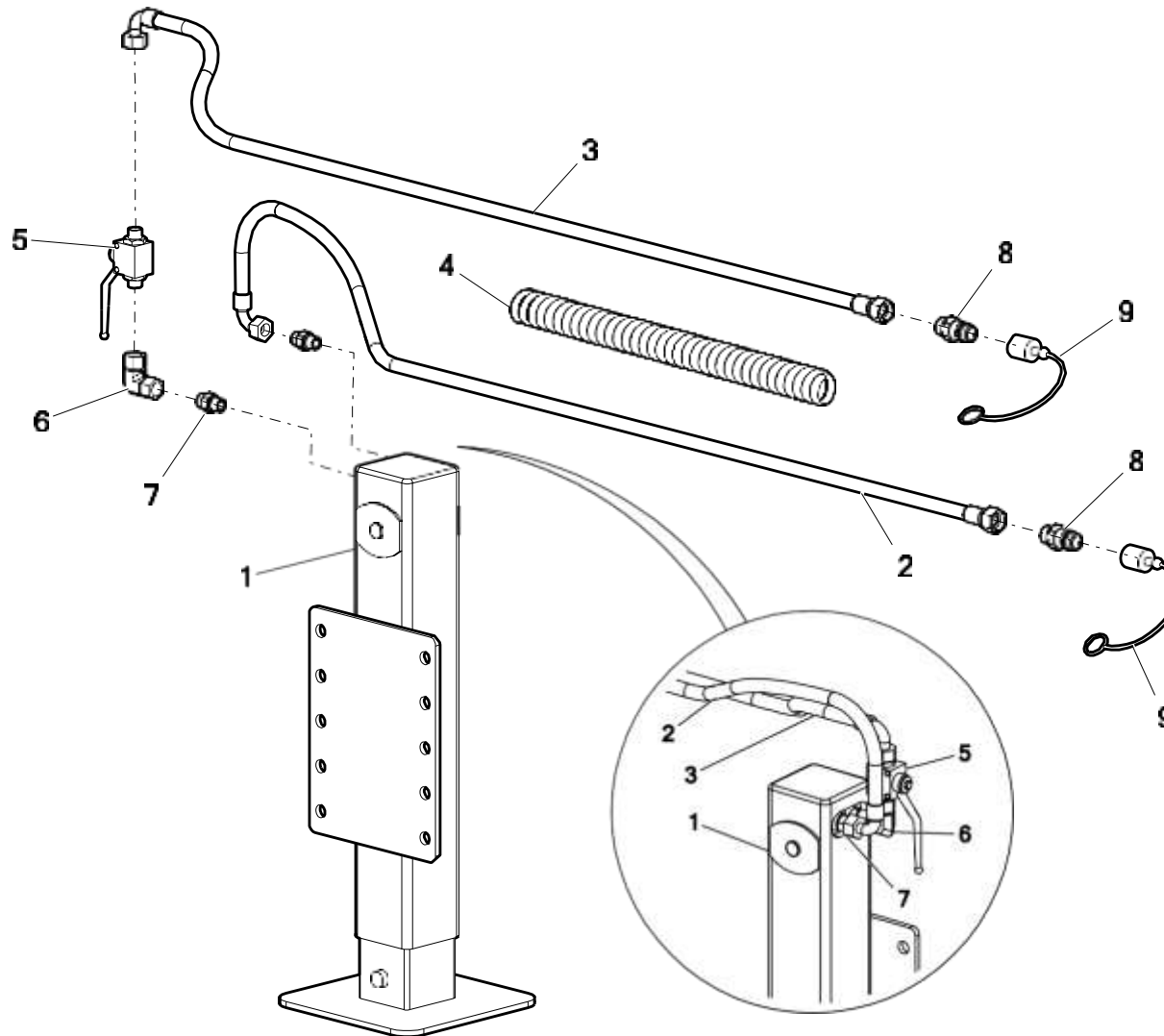
63. FOUR-SECTION HYDRAULIC SYSTEM – Floor conveyor section (Iventec valve)



63. FOUR-SECTION HYDRAULIC SYSTEM – Floor conveyor section (Iventec valve)

No.	Part or assembly name	Fig. or index No.			
		N272/1	Number	N272/2	Number
24	Spring washer 12 galv., 82008 82008	23P12SP	2	23P12SP	2
25	Spring washer, 20.5 galv. 82008 82008	23P20SP	2	23P20SP	2
26	Round washer 20 galv., 82005 82005	23P20OOC	2	23P20OOC	2
27	Metal-rubber washer PPM 3/4" (M27)	POD-HPZ-000052	4	POD-HPZ-000052	4
28	Metal & rubber washer PPM22 30 x 22	24UPPM22	6	24UPPM22	6
29	Spiral guard HG-32/int. diameter 28/ (25 – 32)	POD-HPZ-000042-1	2.5 m	POD-HPZ-000042-1	2.5 m
	Textile sleeve dia. 50 L-2500 (for hydr. line)	N272 03.21.00	1	N272 03.21.00	1
30	Allen bolt 8x50 galv. 8.8 82302	POD-ELZ-000531	2	POD-ELZ-000531	2
31	Mufa 1/2" L-37	POD-HKR-000214	1	POD-HKR-000214	1

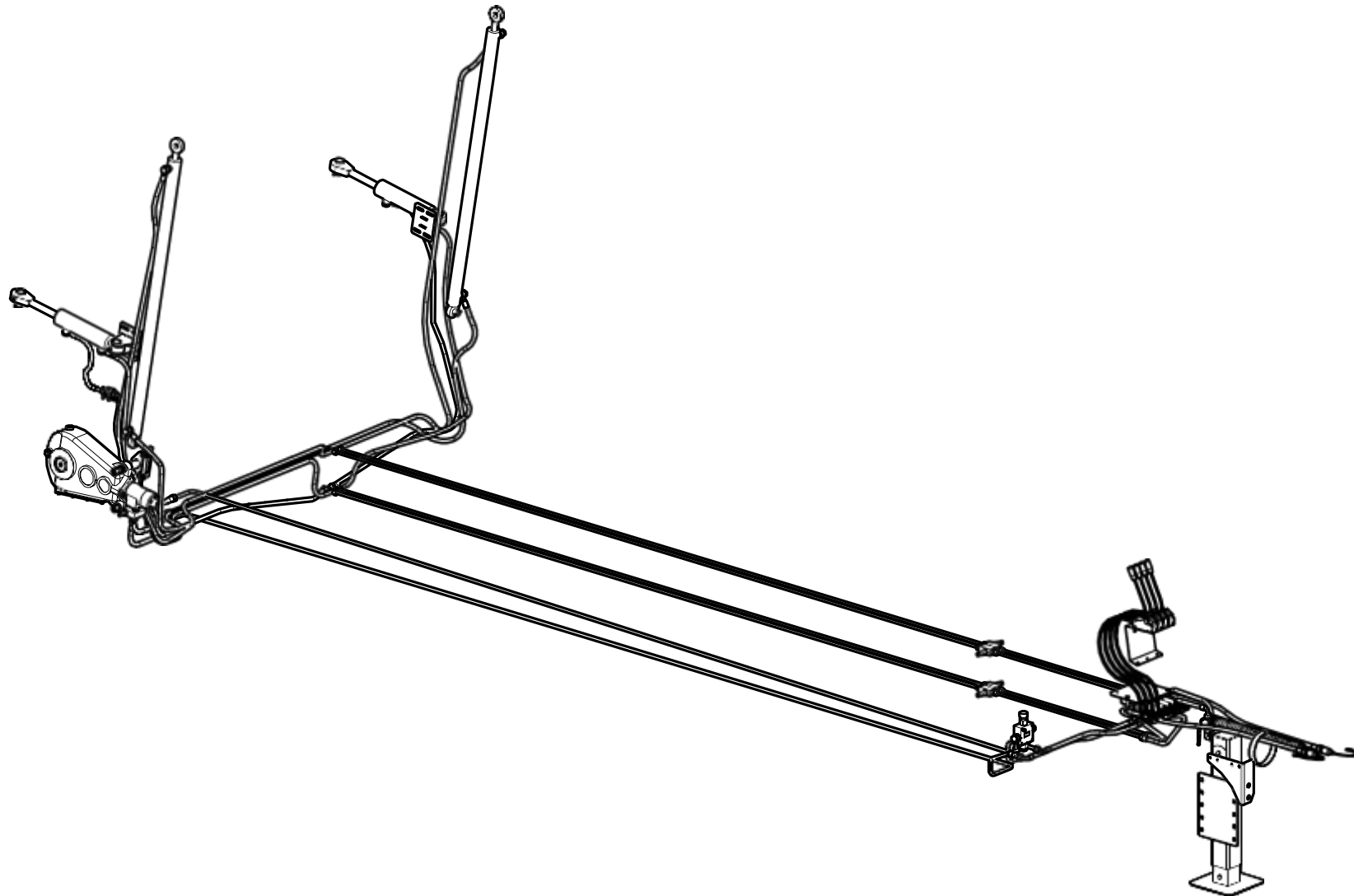
64. FOUR-SECTION HYDRAULIC SYSTEM - Hydraulic foot section



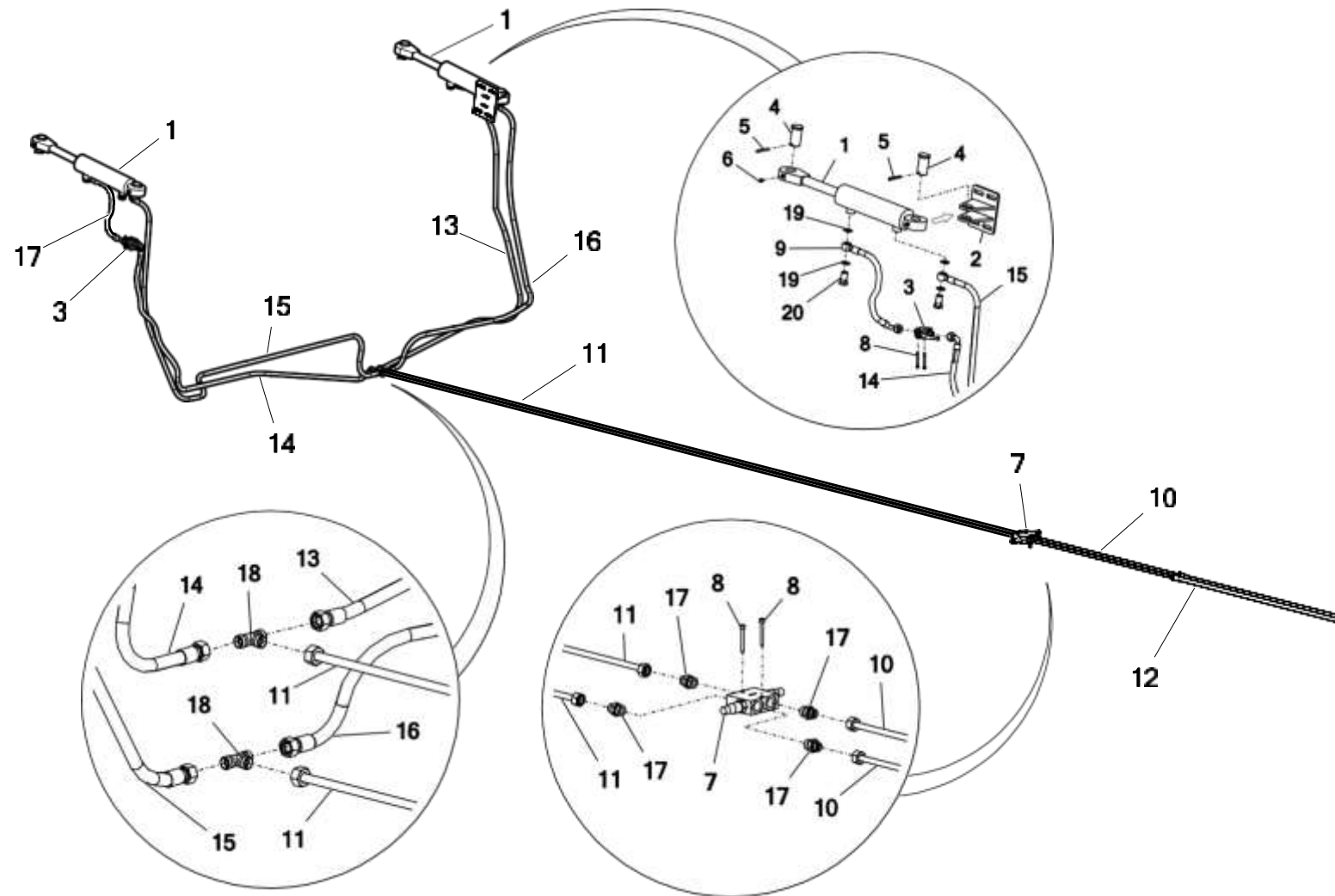
64. FOUR-SECTION HYDRAULIC SYSTEM - Hydraulic foot section

No.	Part or assembly name	Fig. or index No.			
		N272/1	Number	N272/2	Number
1	Support foot	N274 16.01.00	1	N274 16.01.00	1
2	Hydraulic hose A90A/214/10 L-3000	POD-HPR-0000454	1	POD-HPR-0000454	1
3	Hydraulic hose A90A/214/10 L-2900		1		
4	Spiral guard HG-32/int. diameter 28/ (25 – 32)	POD-HPZ-000042-1	2.5 m	POD-HPZ-000042-1	2.5 m
	Textile sleeve dia. 50 L-2500 (for hydr. line)	N272 03.21.00	1	N272 03.21.00	1
5	Ball valve RS2 12L (with holes)	POD-HZW-000032	1	POD-HZW-000032	1
6	Adjustable elbow fitting AA M18x1.5 12L	POD-HKR-000120	1	POD-HKR-000120	1
7	Straight coupling 3/8 x 18-1.5 12LR	24KP3/8 18	2	24KP3/8 18	2
8	Euro valve-plug 13 M22 x 1.5	24WE13	2	24WE13	2
9	EURO quick-coupling attachment 13 (green, yellow, blue, red)	24ZWNE13	2	24ZWNE13	2

65. FOUR-SECTION HYDRAULIC SYSTEM WITH A DISTRIBUTOR, COMPLETE



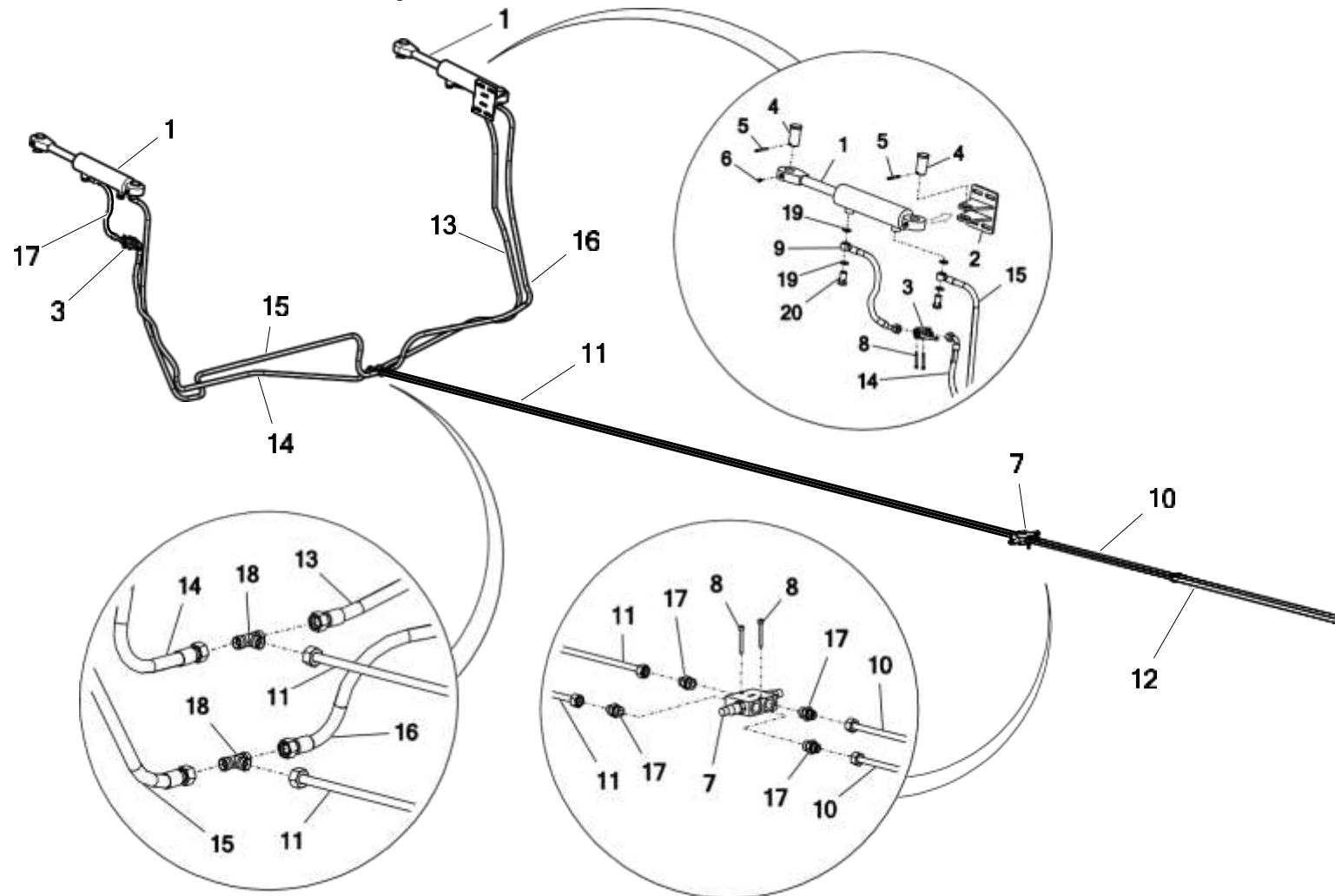
66. FOUR-SECTION HYDRAULIC SYSTEM WITH A DISTRIBUTOR - Guard section of the vertical adapter



66. FOUR-SECTION HYDRAULIC SYSTEM WITH A DISTRIBUTOR - Guard section of the vertical adapter

No.	Part or assembly name	Fig. or index No.			
		N272/1	Number	N272/2	Number
1	Actuator UCJ2FW-63/36/150z LL+UUE2s*L-432	POD-HSL-000147	2	POD-HSL-000147	2
2	Cylinder mounting N272 03.36.00.1	N272 03.36.00.1	2	N272 03.36.00.1	2
3	Ball valve RS2 12L (with holes)	POD-HZW-000032	1	POD-HZW-000032	1
4	Extension cylinder pin	N272-3 05.10.02	4	N272-3 05.10.02	4
5	POD-ELZ-000440	POD-ELZ-000440	4	POD-ELZ-000440	4
6	Lubricating nipple M6 x 1.0 straight	23SM	4	23SM	4
7	Cross over relief valve VBDC3802 210b -VAU 1/2cal	24ZP	1	24ZP	1
8	Allen bolt 6 x 50 galv. 8.8 82302	POD-ELZ-000752	2	POD-ELZ-000752	2
9	Hydraulic hose A90RNM/21_/10 L-350	POD-HPR-000828	1	POD-HPR-000628	1
10	Cylinder bottom pipe I ø12 N272 03.20.01 L-950		2		2
11	Cylinder bottom pipe II ø12 N272 03.20.02 L-3900		2		2
12	Hydraulic hose AB/233/13 L-700		2		2
13	Hydraulic hose ARNM/21_/10 L-1900		1		1
14	Hydraulic hose AA90/211/10 L-2150		1		1

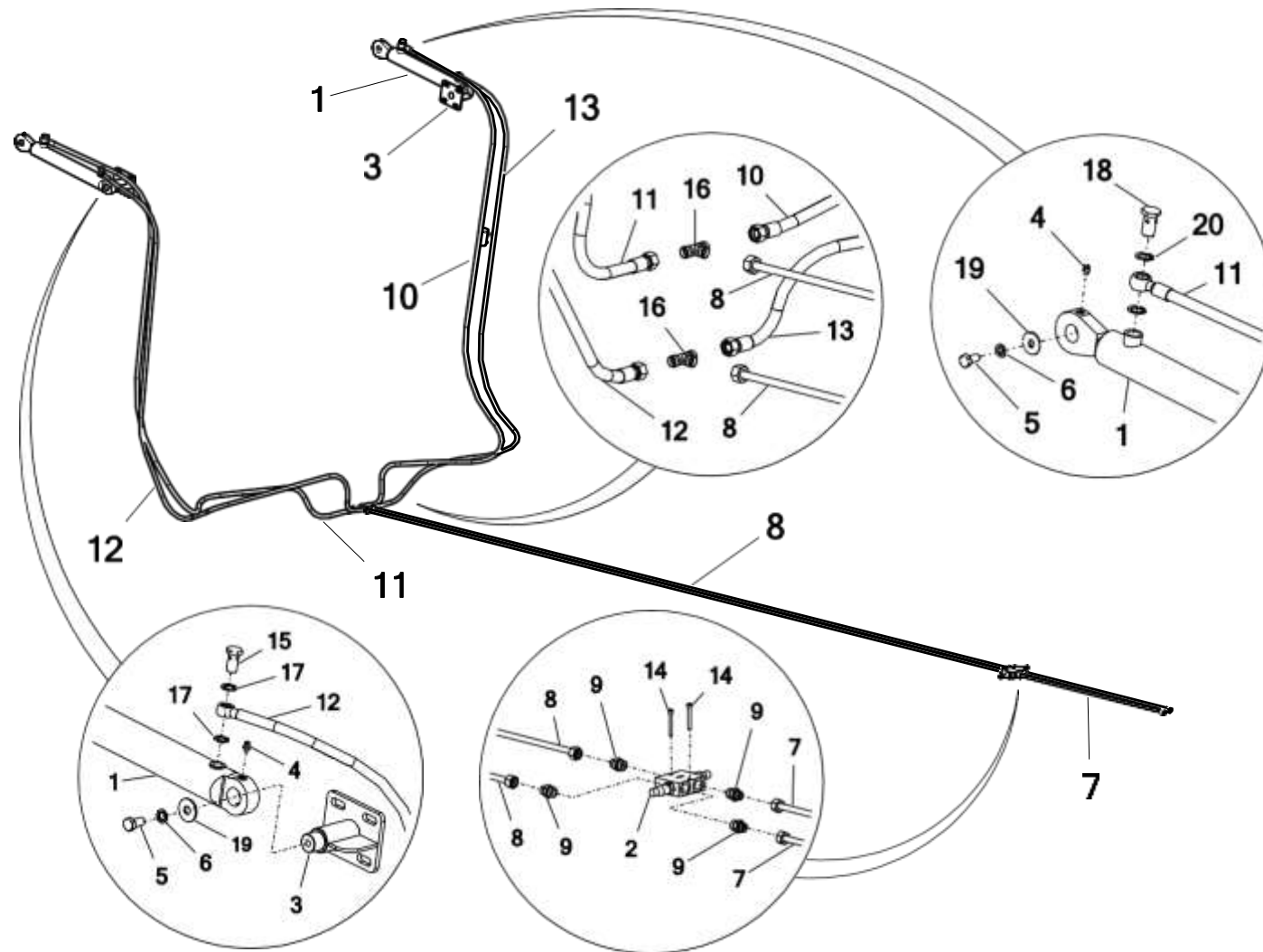
66. FOUR-SECTION HYDRAULIC SYSTEM WITH A DISTRIBUTOR - Guard section of the vertical adapter



66. FOUR-SECTION HYDRAULIC SYSTEM WITH A DISTRIBUTOR - Guard section of the vertical adapter

No.	Part or assembly name	Fig. or index No.			
		N272/1	Number	N272/2	Number
15	Hydraulic hose ARNM/21_/10 L-2350	POD-HPR-000828	1	POD-HPR-000628	1
16	Hydraulic hose ARNM/21_/10 L-1750		1		1
17	Straight coupling 1/2 edx18-1.5	24KP1/2 18	4	24KP1/2 18	4
18	T-connector 18 × 18 × 18 12L	24KT18/18/18	2	24KT18/18/18	2
19	Metal & rubber washer PPM22 30 x 22	24UPPM22	4	24UPPM22	4
20	Eye bolt 1/2" 20 L36	24SO1/2"	4	24SO1/2"	4

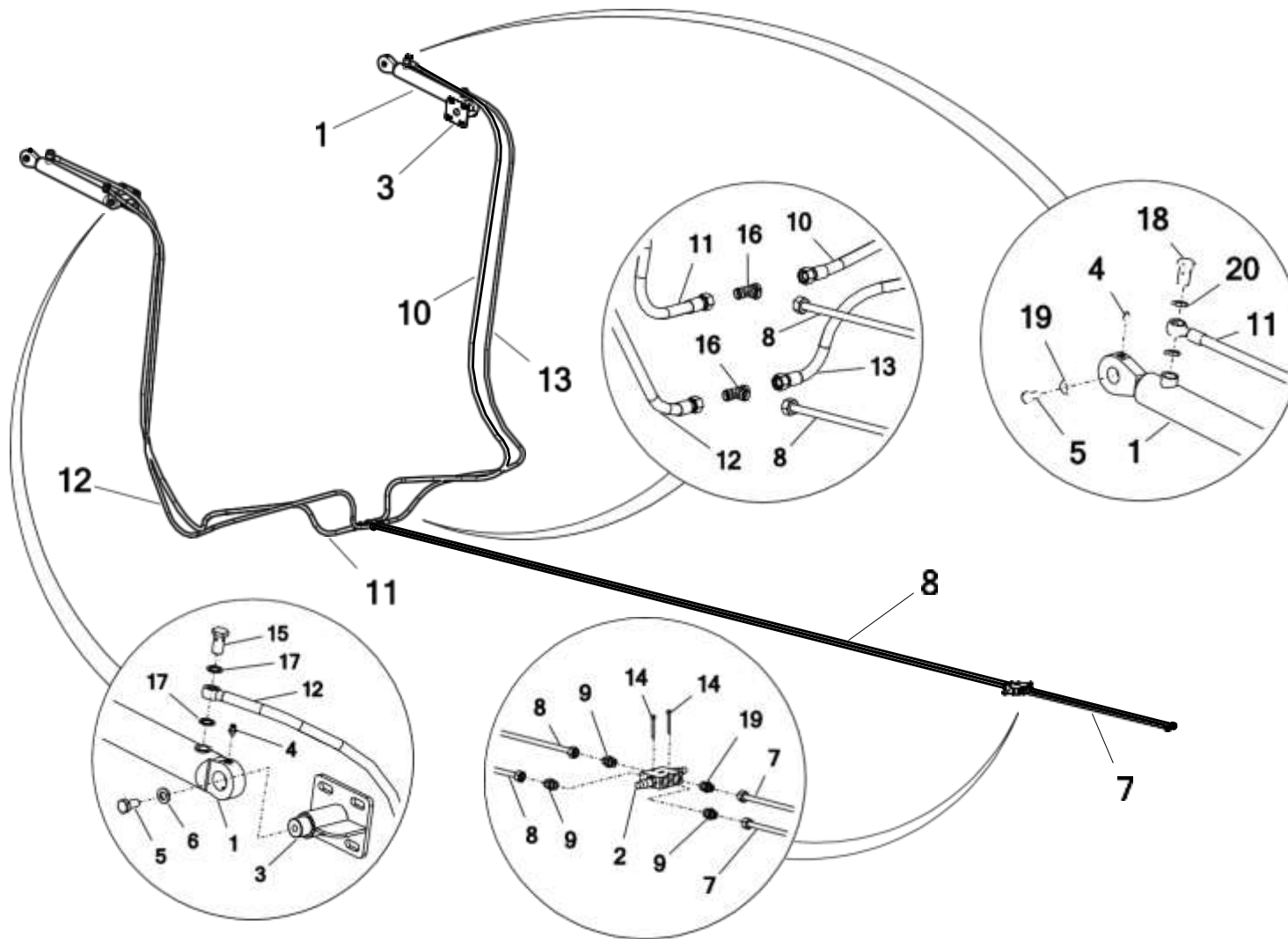
67. FOUR-SECTION HYDRAULIC SYSTEM WITH A DISTRIBUTOR - Guard section of the horizontal adapter



67. FOUR-SECTION HYDRAULIC SYSTEM WITH A DISTRIBUTOR - Guard section of the horizontal adapter

No.	Part or assembly name	Fig. or index No.			
		N272/1	Number	N272/2	Number
1	Cylinder 50/28/300z+U L-532	24SCJ2F-16-50/28/300	2	24SCJ2F-16-50/28/300	2
2	Cross overflow valve VBDC3802 210b -VAU 1/2-inch	24ZP	1	24ZP	1
3	Mounting of the horizontal tailgate cylinder	N272 03.38.00	2	N272 03.38.00	2
4	Lubricating nipple M6 x 1.0 straight	23SM	4	23SM	4
5	Bolt 12 x 25 galv. 8.8 82105 82105	23S12/25OC 8.8	4	23S12/25OC 8.8	4
6	Spring washer 12 galv. 82008 82008	23P12SP	2	23P12SP	2
7	Cylinder bottom pipe I ø12 N272 03.20.01 L-950	POD-HPR-000828	2	POD-HPR-000628	2
8	Cylinder bottom pipe II ø12 N272 03.20.02 L-3900		2		2
9	Straight coupling 1/2 edx18-1.5	24KP1/2 18	4	24KP1/2 18	4
10	Hydraulic hose ARNM/21_/10 L-1900	POD-HPR-000828	1	POD-HPR-000628	1
11	Hydraulic hose AA90/211/10 L-2150		1		1
12	Hydraulic hose ARNM/21_/10 L- 2350		1		1
13	Hydraulic hose ARNM/21_/10 L- 1750		1		1
14	Allen bolt 6 x 50 galv. 8.8 82302	POD-ELZ-000752	2	POD-ELZ-000752	2

67. FOUR-SECTION HYDRAULIC SYSTEM WITH A DISTRIBUTOR - Guard section of the horizontal adapter



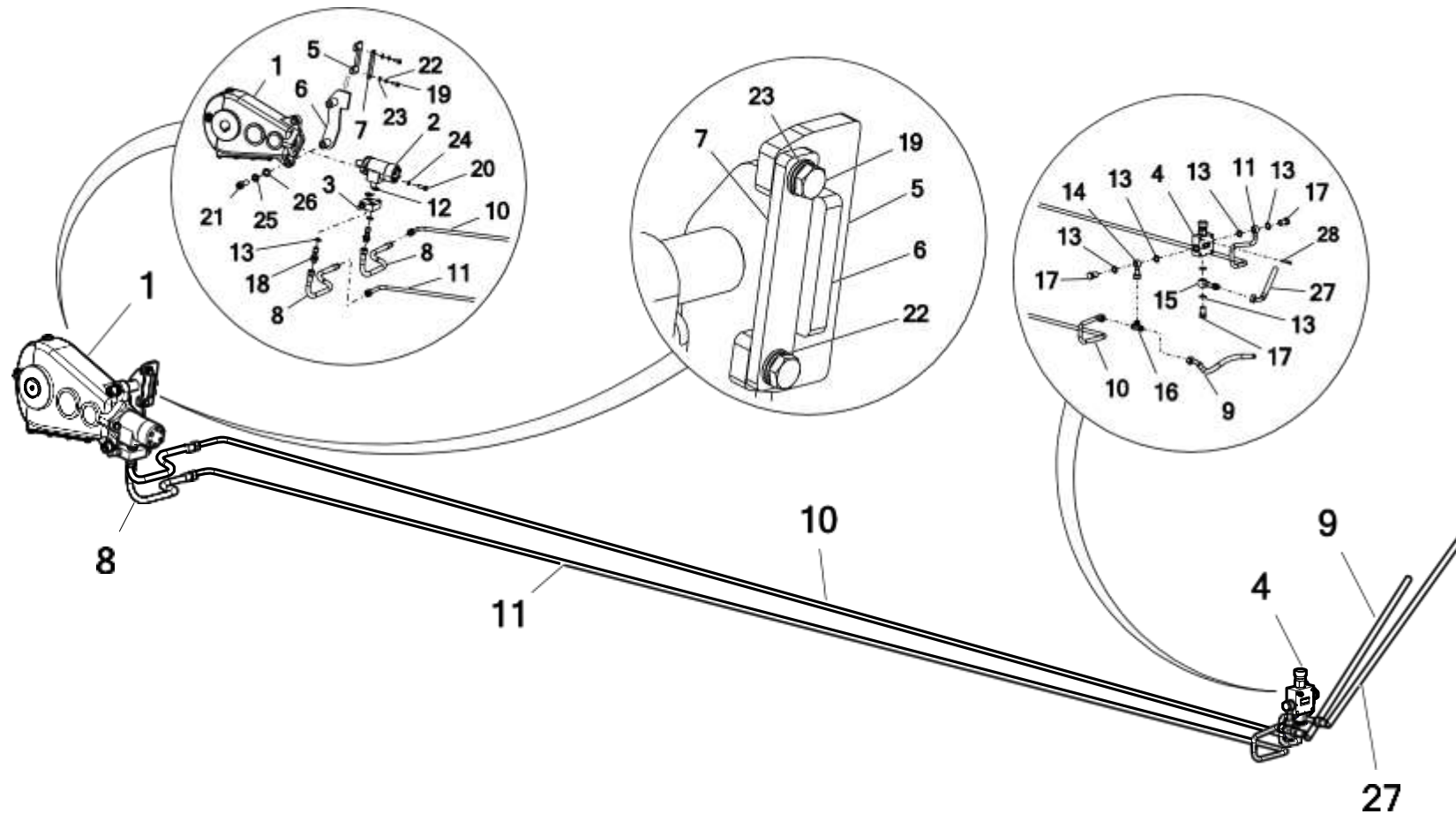
67. FOUR-SECTION HYDRAULIC SYSTEM WITH A DISTRIBUTOR - Guard section of the horizontal adapter

No.	Part or assembly name	Fig. or index No.			
		N272/1	Number	N272/2	Number
15	Eye bolt M16 x 1.5 15 L31	24SO16/1.5	2	24SO16/1.5	2
16	T-connector 18 × 18 × 18 12L	24KT18/18/18	2	24KT18/18/18	2
17	Metal-rubber washer PPM 16 24 x 16	24UPPM16	4	24UPPM16	4
18	Eye bolt 1/2" 20 L36	24SO1/2"	2	24SO1/2"	2
19	Round washer, 12 galv., coated 82030	23P12OOC	2	23P12OOC	2
20	Metal & rubber washer PPM22 30 x 22	24UPPM22	4	24UPPM22	4

68. FOUR-SECTION HYDRAULIC SYSTEM WITH A DISTRIBUTOR - Tailgate section

No.	Part or assembly name	Fig. or index No.			
		N272/1	Number	N272/2	Number
1	Cylinder USJ2F-50/28/1300*L-1477	POD-HSL-000023-1	2	POD-HSL-000023-1	2
2	Overflow cross valve DN12 VBDC3802 210b -VAU 1/2-inch	24ZP	1	24ZP	1
3	Tailgate bolt N272-3 04.03.02	N272-3 04.03.02	2	N272-3 04.03.02	2
4	Cotter pin 5x40	POD-ELZ-000994	2	POD-ELZ-000994	2
5	Eye bolt 1/2" 20 L36	24SO1/2"	4	24SO1/2"	4
6	Metal & rubber washer PPM22 30 x 22	24UPPM22	4	24UPPM22	4
7	Cylinder bottom pipe I ø12 N272 03.20.01 L-950	POD-HPR-000828	2	POD-HPR-000628	2
8	Cylinder bottom pipe II ø12 N272 03.20.02 L-3900		2		2
9	Hydraulic hose AB/233/13 L-700		2		2
10	Hydraulic hose ARNM/21_/10 L-1900		1		1
11	Hydraulic hose AA90/211/10 L-2150		1		1
12	Hydraulic hose ARNM/21_/10 L-2350		1		1
13	Hydraulic hose ARNM/21_/10 L-1750	1	1	1	
14	Straight coupling 1/2 edx18-1.5	24KP1/2 18	4	24KP1/2 18	4
15	Allen bolt 6 x 50 galv. 8.8 82302	POD-ELZ-000752	2	POD-ELZ-000752	2
16	T-connector 18 x 18 x 18 12L	24KT18/18/18	2	24KT18/18/18	2

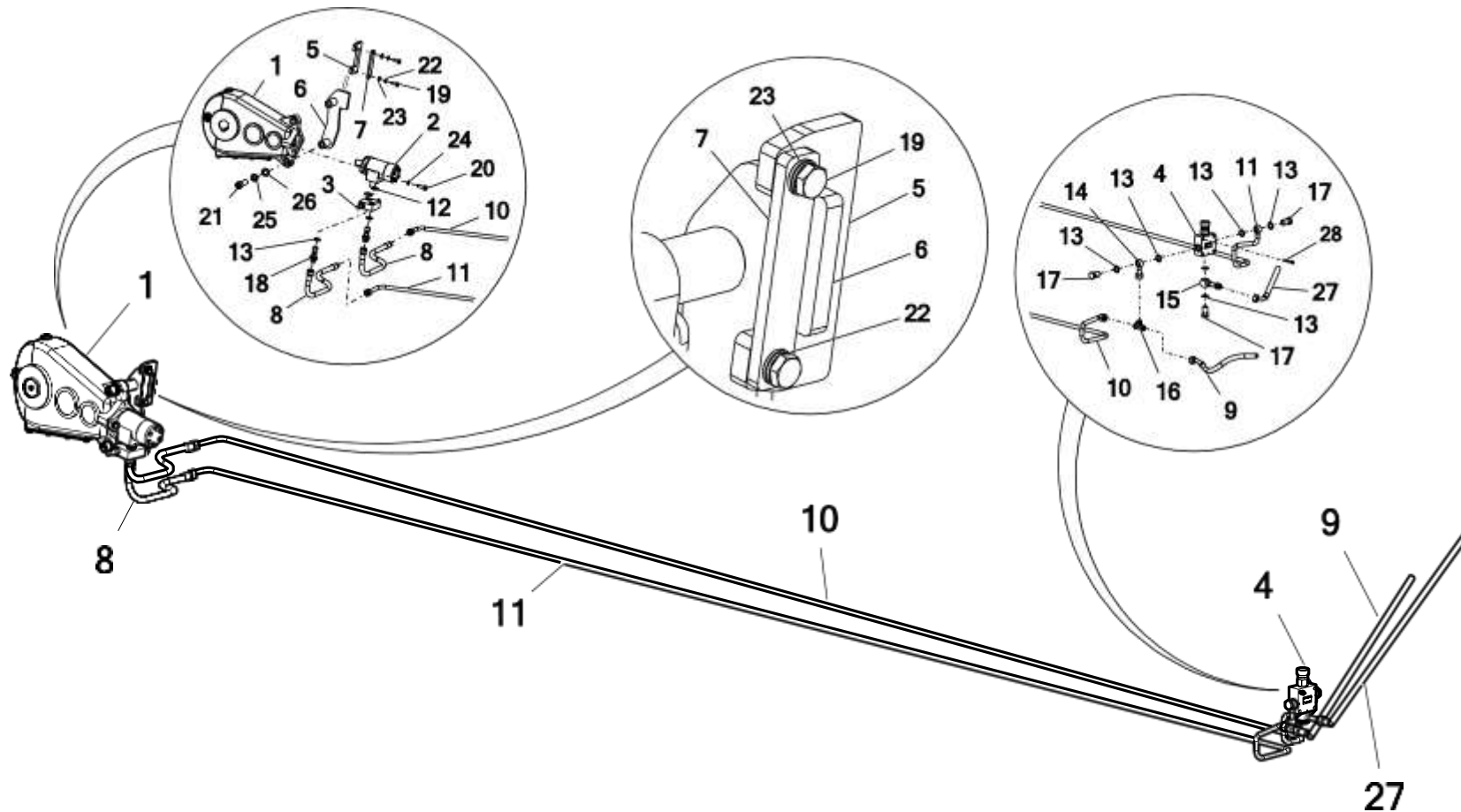
69. FOUR-SECTION HYDRAULIC SYSTEM WITH A DISTRIBUTOR - Floor conveyor section



69. FOUR-SECTION HYDRAULIC SYSTEM WITH A DISTRIBUTOR - Floor conveyor section

No.	Part or assembly name	Fig. or index No.			
		N272/1	Number	N272/2	Number
1	Side gearbox PRK-550-01- AAB.R1 (N272/3)	POD-WPS-000153	1	POD-WPS-000153	1
2	OMR 160 (BMR) hydraulic motor	POD-HSL-000003-1	1	POD-HSL-000003-1	1
3	Block valve VAU OM 1-2 WSC - 100/100 bar	POD-HZW-000099	1	POD-HZW-000099	1
4	POD-HZW-000113	POD-HZW-000113	1	POD-HZW-000113	1
5*	Gearbox interlock TAURUS	N272 03.01.144	1	N272 03.01.144	1
6	Side gearbox mounting, complete	N272-3 03.39.00	1	N272-3 03.39.00	1
7	Gear mounting protection	N272-3 03.00.11	1	N272-3 03.00.11	1
8	Hydraulic hose AB/233/13 L-700	POD-HPR-000828	2	POD-HPR-000628	2
9	Hydraulic hose A90A90/233/13 L-650 K270		1		1
10	Conveyor steel pipe N272 11.00.02		1		1
11	Conveyor steel pipe N272 11.00.01		1		1
12	Metal-rubber washer PPM 3/4" (M27)	POD-HPZ-000052	2	POD-HPZ-000052	2
13	Metal & rubber washer PPM22 30 x 22	24UPPM22	8	24UPPM22	8
14	Loop 1-2 + pipe \varnothing 15 L=50 + ring \varnothing 15 + nut M22	POD-HPR-000628	1	POD-HPR-000628	1
15	Loop 3-4 + connector M22 x 1.5		1		1

69. FOUR-SECTION HYDRAULIC SYSTEM WITH A DISTRIBUTOR - Floor conveyor section



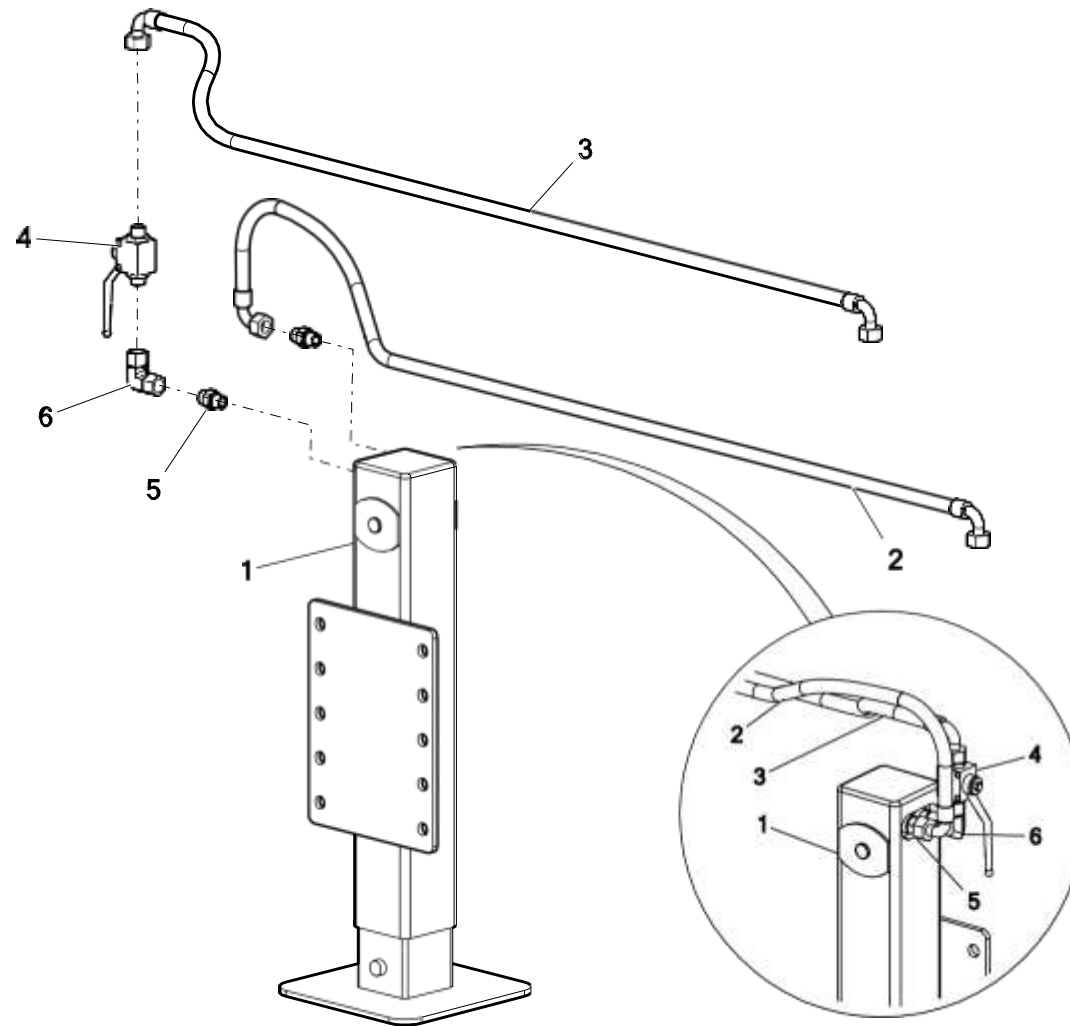
69. FOUR-SECTION HYDRAULIC SYSTEM WITH A DISTRIBUTOR - Floor conveyor section

No.	Part or assembly name	Fig. or index No.			
		N272/1	Number	N272/2	Number
16	T-connector 22 x 22 x 22 15 L	POD-HKR-000007-1	1	POD-HKR-000007-1	1
17	Eye bolt 1/2" 20 L36	24SO1/2"	3	24SO1/2"	3
18	Hydraulic connecting bolt for the motor M22 x 1.5	POD-HZW-000099	2	POD-HZW-000099	2
19	Bolt 10 x 25 galv. 8.8 82105 82105	23S10/25OC 8.8	2	23S10/25OC 8.8	2
20	Bolt 12 x 35 galv. 8.8 82105 82105	23S12/35OC 8.8	2	23S12/35OC 8.8	2
21	Allen bolt 20 x 60 galv. 12.9 82302	POD-ELZ-000859	2	POD-ELZ-000859	2
22	Spring washer 10.2 galv. 82008 82008	23P10SP	2	23P10SP	2
23	Round washer 10 galv. 82005 82005	23P10 82005	2	23P10 82005	2
24	Spring washer 12 galv., 82008 82008	23P12SP	2	23P12SP	2
25	Spring washer, 20.5 galv. 82008 82008	23P20SP	2	23P20SP	2
26	Round washer 20 galv., 82005 82005	23P20OOC	2	23P20OOC	2
27	Hydraulic hose A90A90/233/13 L-600 K270	POD-HPR-000828	1	POD-HPR-000828	1
28	Allen bolt 6 x 50 black, 8.8 82302 82302 8.8	23SI6/50 8.8	4	23SI6/50 8.8	4

Key:

5* – inseparable part of the body – N272-1 03.01.00.6, N272 03.01.00.6

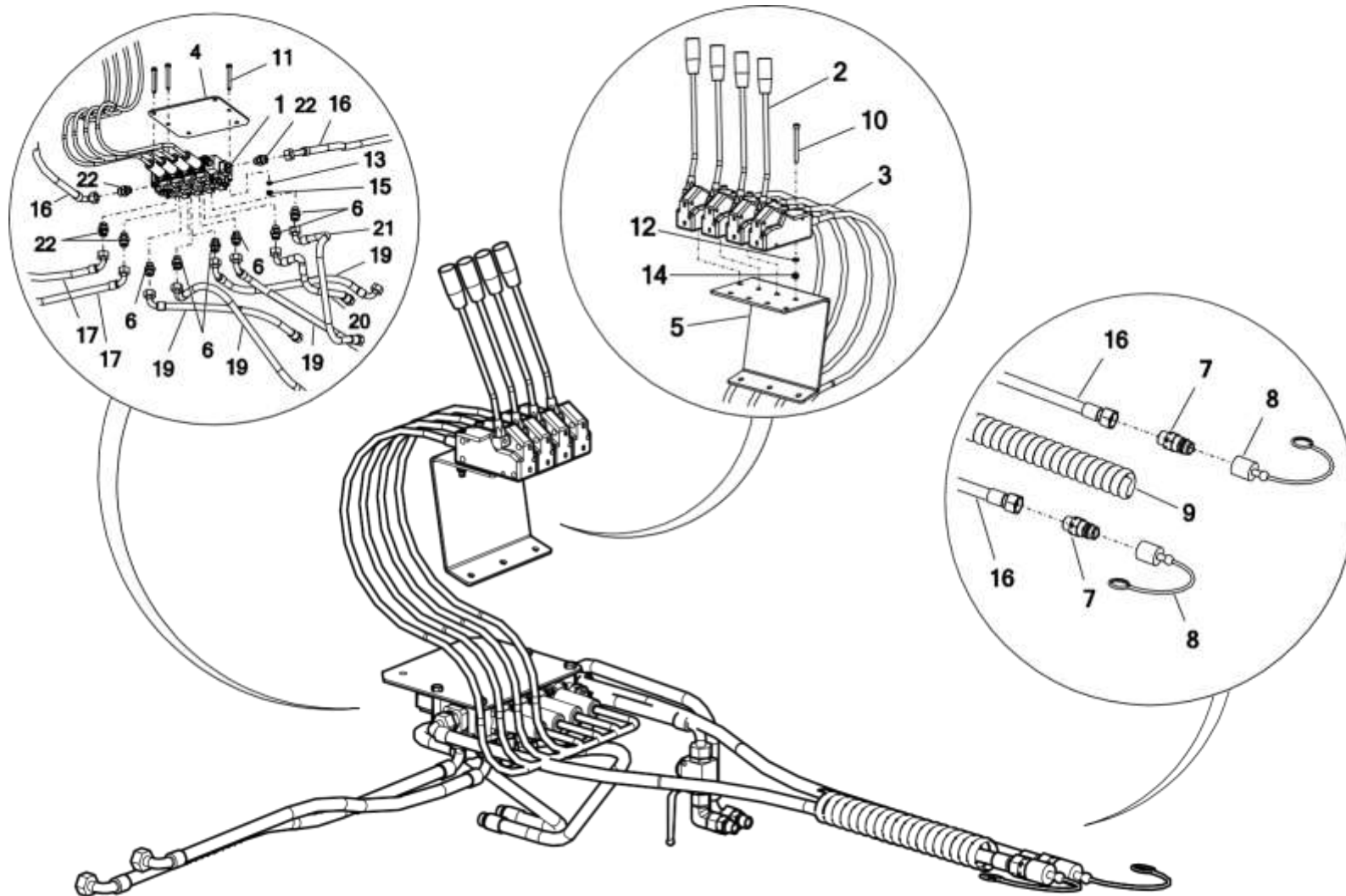
70. FOUR-SECTION HYDRAULIC SYSTEM WITH A DISTRIBUTOR - Support foot section



70. FOUR-SECTION HYDRAULIC SYSTEM WITH A DISTRIBUTOR - Support foot section

No.	Part or assembly name	Fig. or index No.			
		N272/1	Number	N272/2	Number
1	Support foot	N274 16.01.00	1	N274 16.01.00	1
2	Hydraulic hose A90A90/211/10 L-450 K180	POD-HPR-000828	1	POD-HPR-000828	1
3	Hydraulic hose A90A90/211/10 L-550		1		1
4	Ball valve RS2 12L (with holes)	POD-HZW-000032	1	POD-HZW-000032	1
5	Adjustable elbow fitting AA M18x1.5 12L	POD-HKR-000120	1	POD-HKR-000120	1
6	Straight coupling 3/8 x 18-1.5 12LR	24KP3/8 18	2	24KP3/8 18	2

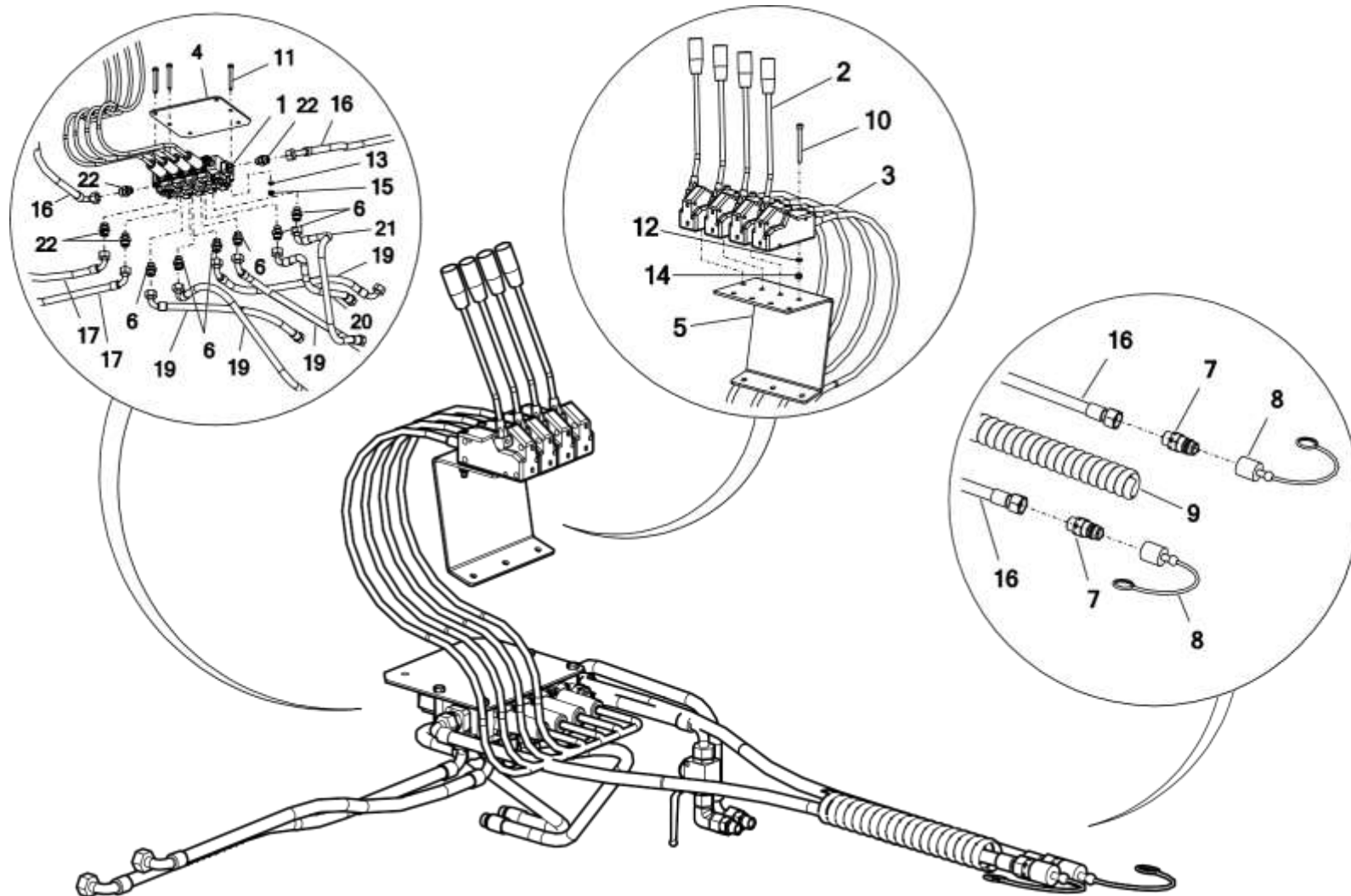
71. FOUR-SECTION HYDRAULIC SYSTEM WITH A DISTRIBUTOR - Control section



71. FOUR-SECTION HYDRAULIC SYSTEM WITH A DISTRIBUTOR - Control section

No.	Part or assembly name	Fig. or index No.			
		N272/1	Number	N272/2	Number
1	MD4 rope distributor Q45	24R4-SEK.	1	24R4-SEK.	1
2	Rope controller lever	24DZS	4	24DZS	4
3	Control wire L-3500 (fork)	POD-HPZ-000045-1	4	POD-HPZ-000045-1	4
4	Distributor support (4-section) N272 03.20.13	N272 03.20.13	1	N272 03.20.13	1
5	Distributor lever support N272 03.20.12	N272 03.20.12	1	N272 03.20.12	1
6	Straight coupling 1/2 edx18-1.5	24KP1/2 18	6	24KP1/2 18	6
7	EURO valve-plug 13 M22 x 1.5	24ZWE13	2	24ZWE13	2
8	EURO quick-coupling attachment 13 (green, yellow, blue, red)	24ZWNE13	2	24ZWNE13	2
9	Spiral guard HG-32/int. diameter 28/ (25-32)	POD-HPZ-000042-1	2.5 m	POD-HPZ-000042-1	2.5 m
	Textile sleeve dia. 50 L-2500 (for hydr. line)	N272 03.21.00	1	N272 03.21.00	1
10	Allen bolt 6 x 60 galv. 8.8 82302	POD-ELZ-000776	8	POD-ELZ-000776	8
11	Bolt 8 x 65 galv. 8.8 82101	POD-ELZ-000527	3	POD-ELZ-000527	3
12	Round washer 6 galv., 82005 82005	23P6OOC	8	23P6OOC	8
13	Round washer 8 galv., coated 82030	23P8OC 82030	3	23P8OC 82030	3
14	Self-locking nut M6 galv. 82175 8 82175 8	23NS6OC	8	23NS6OC	8
15	Self-locking nut M8 galv., 82175 8 82175 8	23NS8OC	3	23NS8OC	3

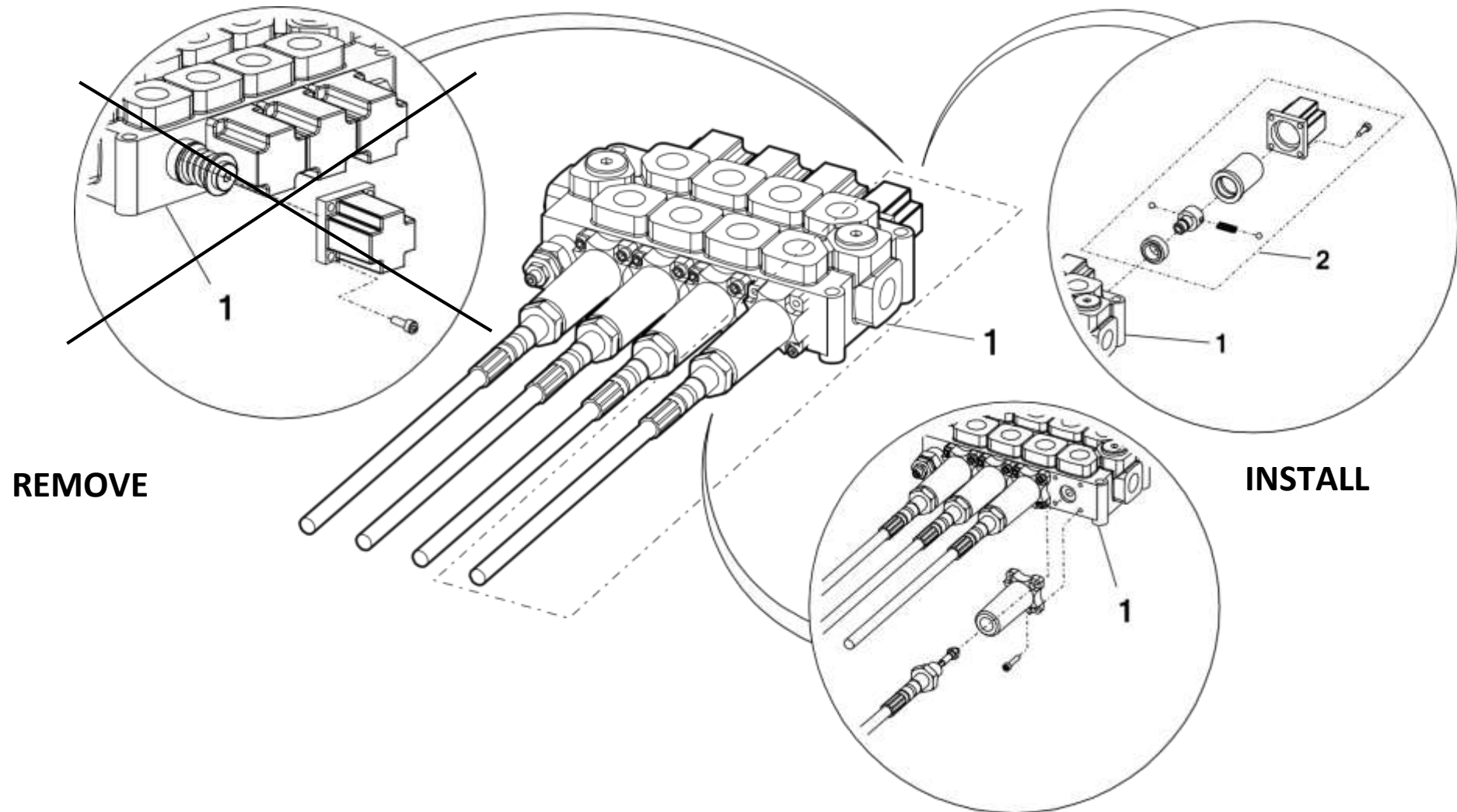
71. FOUR-SECTION HYDRAULIC SYSTEM WITH A DISTRIBUTOR - Control section



71. FOUR-SECTION HYDRAULIC SYSTEM WITH A DISTRIBUTOR - Control section

No.	Part or assembly name	Fig. or index No.			
		N272/1	Number	N272/2	Number
16	Hydraulic hose A90A/233/13 L-2500	POD-HPR-000828	2	POD-HPR-000828	2
17	Hydraulic hose A90A90/233/13 L-600 K270		1		1
18	Hydraulic hose A90A90/233/13 L-650 K270		1		1
19	Hydraulic hose A90B/211/10 L-800		4		4
20	Hydraulic hose A90A90/211/10 L-450 K180		1		1
21	Hydraulic hose A90A90/211/10 L-550		1		1
22	Straight coupling 1/2 edx22-1.5 15L	24K1/2 22	4	24K1/2 22	4

**72. FOUR-SECTION HYDRAULIC SYSTEM WITH A DISTRIBUTOR -
Distributor section**



72. FOUR-SECTION HYDRAULIC SYSTEM WITH A DISTRIBUTOR - Distributor section

No.	Part or assembly name	Fig. or index No.			
		N272/1	Number	N272/2	Number
1	MD4 rope distributor Q45	24R4-SEK.	1	24R4-SEK.	1
2	Double-sided latch for the distributor Q25-30 R3	24ZDR	1	24ZDR	1

73. NOTES

A series of 20 horizontal dotted lines provided for taking notes.

