



METAL-FACH



STUBBLE CULTIVATOR
U490, U490/1
SPARE PARTS CATALOGUE
EDITION I, MARCH 2018 EN

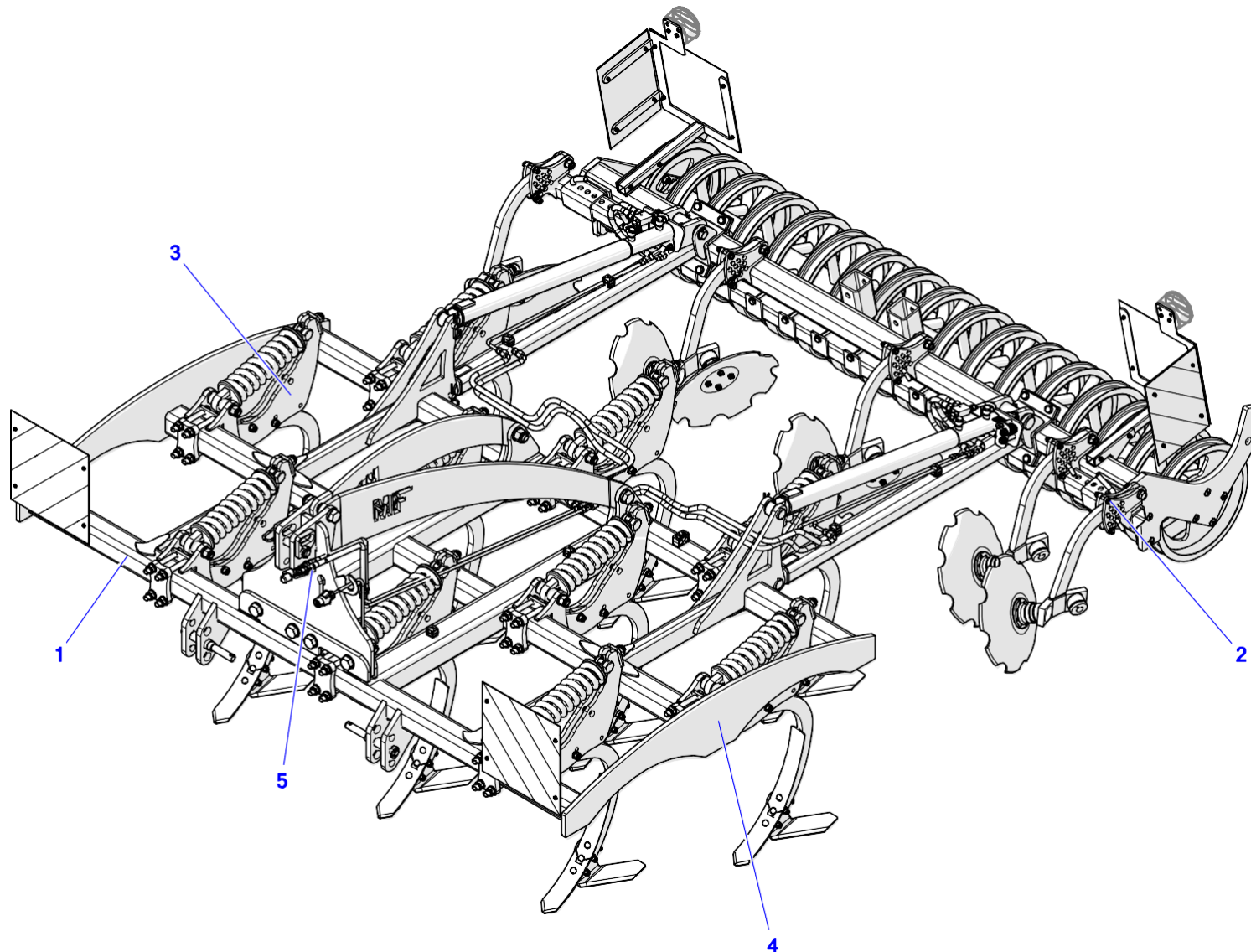


Information included in the catalogue is valid as of the date of its preparation. The manufacturer reserves its right to make design changes to machines, and due to this, some values or illustrations might not correspond to the actual state of the machine supplied to the user. The manufacturer reserves its right to make design changes without changing this catalogue.

TABLE OF CONTENTS

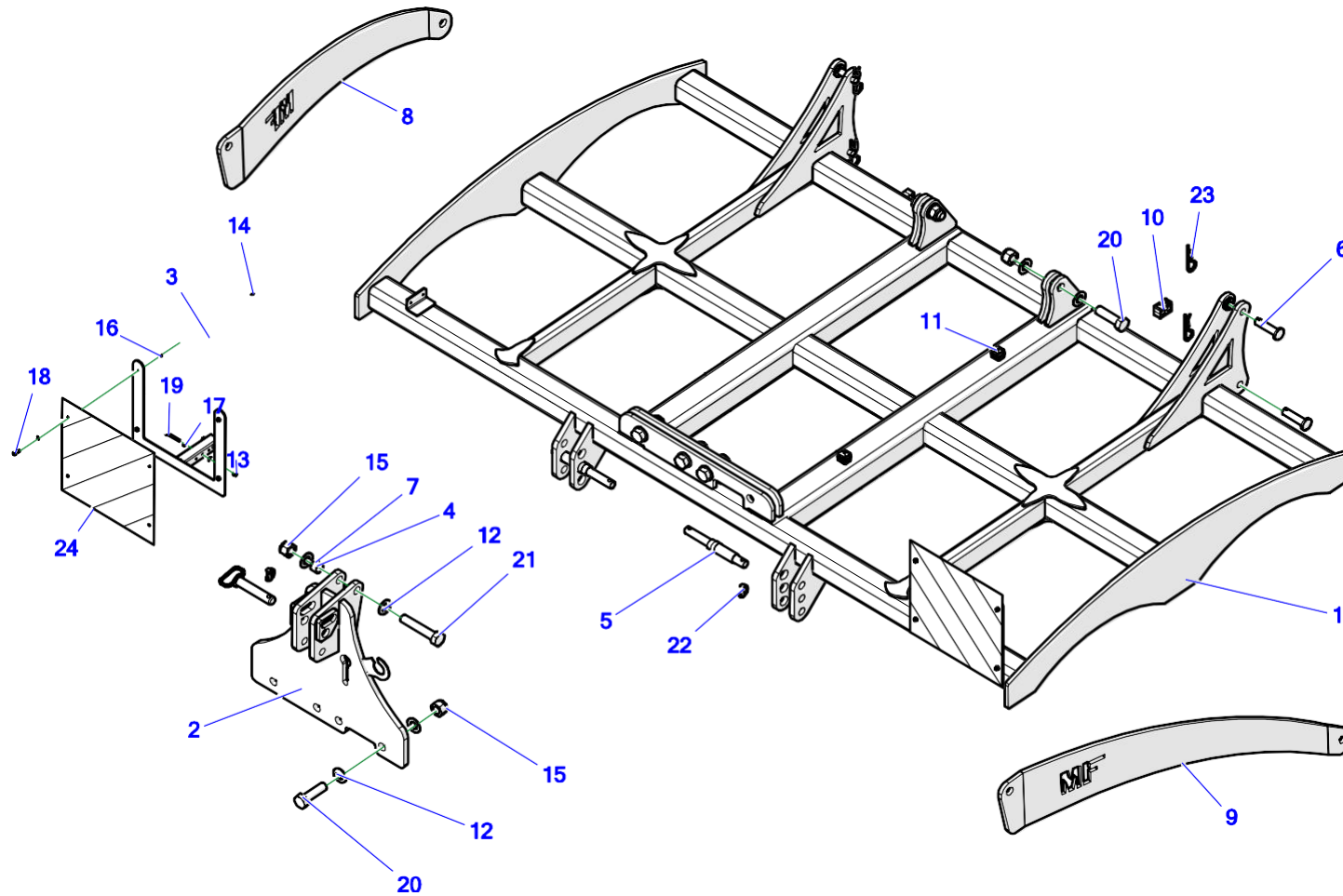
1. U490, U490/1 STUBBLE CULTIVATOR.....	4
2. FRAME - BASIC ASSEMBLY.....	6
3. REAR ROLLER – COMPLETE.....	9
4. RIGHT PLOUGH STANDARD COMPLETE/LEFT PLOUGH STANDARD COMPLETE.....	14
5. RIGHT/LEFT PLOUGH STANDARD, COMPLETE, SECURED WITH BOLTS.....	16
6. HYDRAULIC SYSTEM - CABLES.....	18

1. U490, U490/1 STUBBLE CULTIVATOR



No.	Name	Fig. or index No.			
		U490	Volume	U490/1	Volume
1	Frame - basic assembly	U490 01.00.00	1	U490/1 01.00.00	1
2	Rear roller, complete	U490 02.00.00	1	U490/1 02.00.00	1
3	Right-hand plough standard, complete	U490 03.00.P0	4	U490 03.00.P0	8
4	Left-hand plough standard, complete	U490 03.00.L0	6	U490 03.00.L0	4
5	Hydraulic system – hoses	U490 04.00.00	1	U490 04.00.00	1

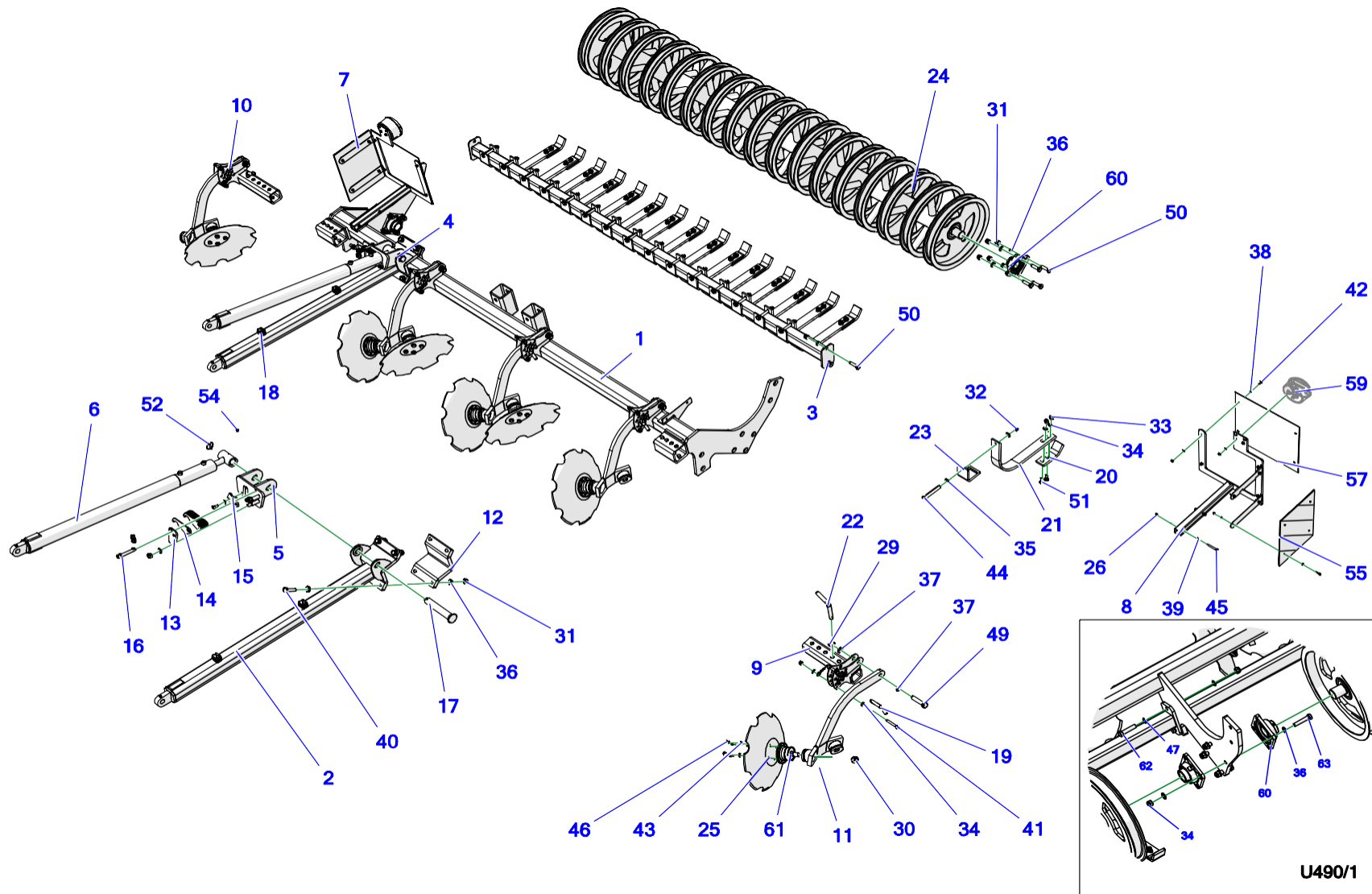
2. FRAME - BASIC ASSEMBLY



No.	Part or assembly name	Fig. or index No.			
		U490	Volume	U490/1	Volume
1	Frame 3 m/ Frame 3.5 m	U490 01.01.00	1	U490/1 01.01.00	1
2	Three-point hitch	U490 01.02.00	1	U490 01.02.00	1
3	Lights support, front	U490 01.03.00	2	U490 01.03.00	2
4	Three-point pin connector	U490 01.04.00	1	U490 01.04.00	1
5	Bottom rod pin	U490 01.00.05	2	U490 01.00.05	2
6	Roller mounting pin	U490 01.00.04	4	U490 01.00.04	4
7	Spacer bushing	U490 01.00.03	1	U490 01.00.03	1
8	Metal sheet with logo, right side	U490 01.00.02	1	U490 01.00.02	1
9	Metal sheet with logo, left side	U490 01.00.01	1	U490 01.00.01	1
10	HBK handle diam. 18 x 2 – double	POD-HPZ-000005-1	2	POD-HPZ-000005-1	2
11	Handle HBK diam. 12 x 2 – double	POD-HPZ-000010-1	2	POD-HPZ-000010-1	2
12	Round washer M30 galv. DIN 125	POD-ELZ-000507	14	POD-ELZ-000507	14
13	Self-locking nut M8 galv. 82175 8 82175 8	23NS8OC	4	23NS8OC	4
14	Self-locking nut M6 galv. 82175 8 82175 8	23NS6OC	8	23NS6OC	8
15	Self-locking nut M30 galv. 82175	POD-ELZ-000042-1	7	POD-ELZ-000042-1	7
16	Round washer 6 galv. 82005 82005	23P6OOC	16	23P6OOC	16
17	Round washer 8 galv. 82005 82005	23P8OOC	8	23P8OOC	8
18	Bolt 6 x 20 galv. 8.8 82105 82105 8.8	23S6/20	8	23S6/20	8
19	Bolt 8 x 60, galv. 8.8 82105	POD-ELZ-000369	4	POD-ELZ-000369	4

No.	Part or assembly name	Fig. or index No.			
		U490	Volume	U490/1	Volume
20	Bolt 30 x 100 galv. 8.8 82101	POD-ELZ-000390	6	POD-ELZ-000390	6
21	Bolt 30 x 150, galv. 10.9 82101	POD-ELZ-000696	1	POD-ELZ-000696	1
22	Cotter pin with ring 11	23PR11	3	23PR11	3
23	Elastic single cotter pin 6 (R-letter shaped, single)	23ZR6	4	23ZR6	4
24	Red/white warning board, 423 mm x 423 mm, left side	POD-ELK-000293	1	POD-ELK-000293	1
25	Red/white warning board, 423 mm x 423 mm, right side	POD-ELK-000292	1	POD-ELK-000292	1

3. REAR ROLLER – COMPLETE



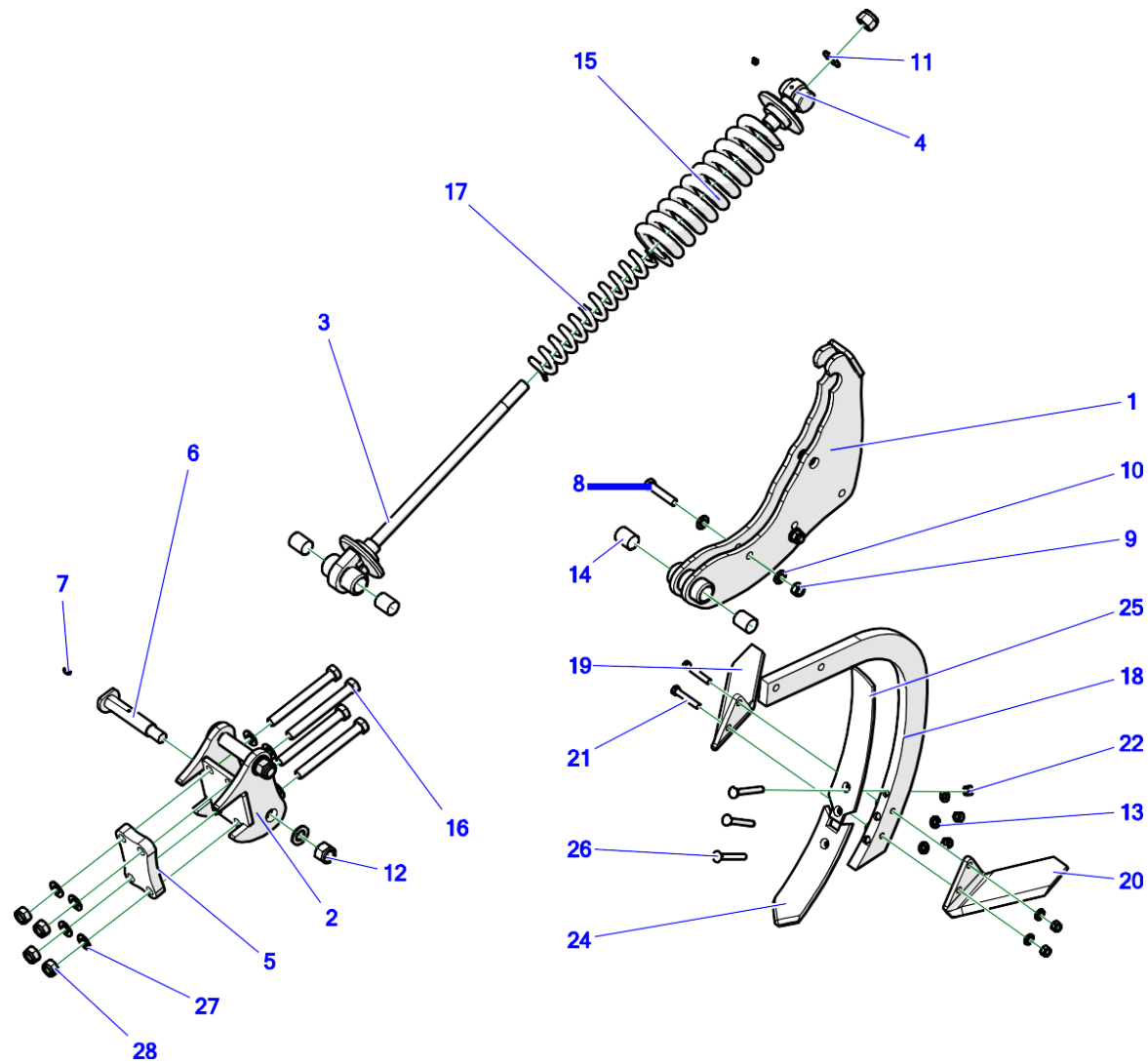
No.	Part or assembly name	Fig. or index No.			
		U490	Volume	U490/1	Volume
1	Roller frame / roller frame 3.5 m	U490 02.01.00	1	U490/1 02.01.00	1
2	Roller mounting	U490 02.02.00	2	U490 02.02.00	2
3	Scraper tube, complete	U490 02.03.00	1	U490/1 02.02.00	2
4	Cylinder lock, right	U490 02.04.00	1	U490 02.04.00	1
5	Cylinder lock, left	U490 02.05.00	1	U490 02.05.00	1
6	Welded cylinder	U490 02.09.00	2	U490 02.09.00	2
7	Lights support, right	U490 02.10.00	1	U490 02.10.00	1
8	Rear lights support, left	U490 02.11.00	1	U490 02.11.00	1
9	Left-side support	U490 02.07.00	1	U490 02.07.00	1
10	Right-side support	U490 02.06.00	1	U490 02.06.00	1
11	Disc support	U490 02.08.00	5	U490 02.08.00	5
12	Canopy	U490 02.02.02M	2	U490 02.02.02M	2
13	Adjustment metal plate clamp	U490 02.00.05	2	U490 02.00.05	2
14	Metal plate for cylinder adjustment	U490 02.00.04	18	U490 02.00.04	18
15	Roller cylinder limiter	U490 02.00.03	2	U490 02.00.03	2
16	Roller adjustment pin	U490 02.00.02	2	U490 02.00.02	2
17	Cylinder pin	U490 02.00.01	2	U490 02.00.01	2
18	Handle HBK diam. 12 x 2 – double	POD-HPZ-000010-1	4	POD-HPZ-000010-1	4
19	Adjustment pin II	U-710 02.00.08	5	U-710 02.00.08	5
20	Tabo Point	POD-OGL-000544	16	POD-OGL-000544	18

No.	Part or assembly name	Fig. or index No.			
		U490	Volume	U490/1	Volume
21	Smoothing harrow arm	POD-EOS-000371	16	POD-EOS-000371	18
22	Pin V	U-710 01.00.13	2	U-710 01.00.13	2
23	Spring mounting	U-740 05.00.01	16	U-740 05.00.01	18
24	Roller	U-740 05.01.00	1	U490/1 02.03.00	2
25	Extreme disc with notches, diam. 460/4	POD-OGL-000576	7	POD-OGL-000576	8
26	Self-locking nut M8 galv. 82175 8 82175 8	23NS8OC	4	23NS8OC	4
27	Self-locking nut M6 galv. 82175 8 82175 8	23NS6OC	20	23NS6OC	20
28	Round washer 10, black 82005 82005	23P10OOC	4	23P10OOC	4
29	Self-locking nut M20 galv. 82175 8 82175 8	23NS20OC 82175	5	23NS20OC 82175	5
30	Self-locking nut M22 x 1.5 galv. 10.9	POD-ELZ-000623	7	POD-ELZ-000623	8
31	Self-locking nut M16 galv. 82175 8 82175 8	23NS16OC	20	23NS16OC	26
32	Self-locking nut M14, galv. 82175 8 82175 8	23NS14OC	20	23NS14OC	22
33	Self-locking nut M12 galv. 82175 8 82175 8	23NS12OC	42	23NS12OC	46
34	Round washer 12 galv. 82005	23P12OC	52	23P12OC	56
35	Round washer 14, galv. 82005 82005	23P14OC	36	23P14OC	40
36	Round washer 16 galv. 82005 82005	23P16OOC	24	23P16OOC	32
37	Round washer 20 galv. 82005 82005	23P20OOC	10	23P20OOC	10

No.	Part or assembly name	Fig. or index No.			
		U490	Volume	U490/1	Volume
38	Round washer 6 galv. 82005 82005	23P6OOC	36	23P6OOC	36
39	Round washer 8 galv. 82005 82005	23P8OOC	8	23P8OOC	8
40	Bolt 16 x 60 galv. 8.8 82101 82101	23S16/60 8.8 82101 OC	8	23S16/60 8.8 82101 OC	8
41	Bolt 12 x 70 galv. 8.8 82101 82101	23S12/70OC 8.8	10	23S12/70OC 8.8	10
42	Bolt 6 x 20 galv. 8.8 82105 82105 8.8	23S6/20	16	23S6/20	16
43	Spring washer 12, galv. 82008 82008	23P12SP	28	23P12SP	32
44	Bolt 14 x 120 galv. 10.9 82101	POD-ELZ-000635	16	POD-ELZ-000635	18
45	Bolt 8 x 60, galv. 8.8 82101 82101	23S8/60OC 8.8	4	23S8/60OC 8.8	4
46	Bolt 12 x 1.25 x 20 galv. 10.9 82105	POD-ELZ-000629	28	POD-ELZ-000629	32
47	Fan-shaped washer, ext. 16 galv. DIN 6798A	POD-ELZ-000705	4	POD-ELZ-000705	8
48	Allen bolt 10 x 20, galv. 8.8 82302	POD-ELZ-000044-1	4	POD-ELZ-000044-1	4
49	Bolt 20 x 80 galv. 82101 82101	23S20/80 8.8 OC	5	23S20/80 8.8 OC	5
50	Counter sunk Allen screw 16 x 60 galv. 10.9 DIN7991	POD-ELZ-000693	12	POD-ELZ-000693	12
51	Plough bolt 12 x 40 black 8.8 82402	POD-ELZ-000647	32	POD-ELZ-000647	36
52	Cotter pin with ring 6	23PR6	4	23PR6	4
53	Elastic single cotter pin 4 (R-letter shaped, single)	23ZRFI4	7	23ZRFI4	7
54	Lubricating nipple M8 x 1.0 simple	23SM8	6	23SM8	6

No.	Part or assembly name	Fig. or index No.			
		U490	Volume	U490/1	Volume
55	Red/white warning board, 423 mm x 282 mm, left side	POD-ELK-000295	1	POD-ELK-000295	1
56	Red/white warning board, 423 mm x 282 mm, right side	POD-ELK-000294	1	POD-ELK-000294	1
57	Red/white warning board, 423 mm x 423 mm, left side	POD-ELK-000293	1	POD-ELK-000293	1
58	Red/white warning board, 423 mm x 423 mm, right side	POD-ELK-000292	1	POD-ELK-000292	1
59	Lamp 6001110485	POD-ELK-000297	2	POD-ELK-000297	2
60	Bearing assembly FY 50 TR	POD-LOZ-000244	2	POD-LOZ-000244	4
61	BAA0004 maintenance-free hub	POD-LOZ-000174	7	POD-LOZ-000174	8
62	Bolt 16 x 70, galv. 8.8 82101 82101			23S16/70	2
63	Bolt 16 x 75 galv. 8.8 82101			POD-ELZ-000050-1	4

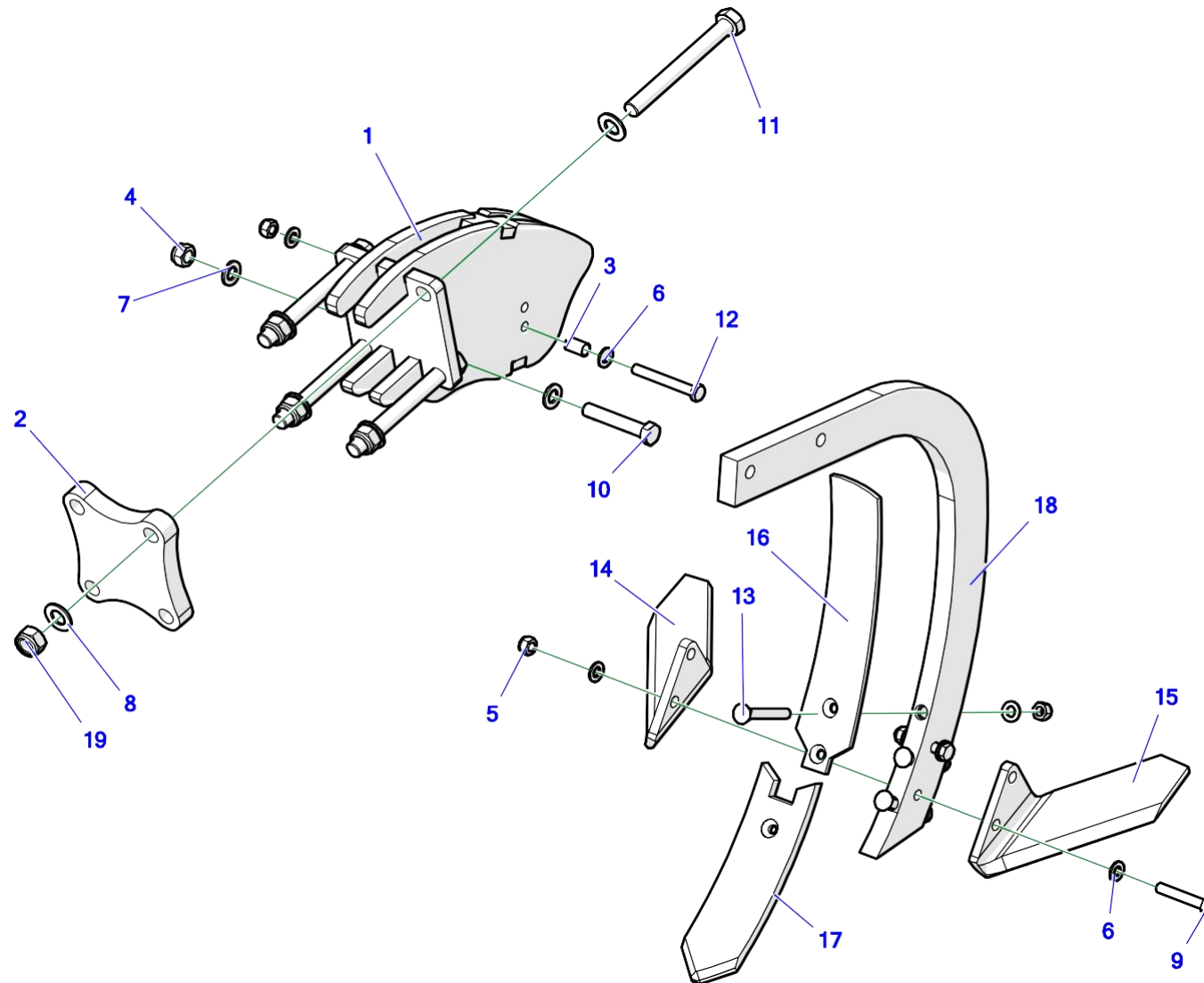
4. RIGHT PLOUGH STANDARD, COMPLETE / LEFT PLOUGH STANDARD, COMPLETE



No.	Name	Fig. or index No.	Volume
1	Plough standard support	U490 03.01.00	1
2	Plough standard mounting	U490 03.02.00	1
3	Spring tensioning bolt	U490 03.03.00	1
4	Spring tensioning device	U490 03.04.00	1
5	Mounting plate	U490 03.00.01	1
6	Plough standard pin	U490 03.00.02	2
7	Lubricating nipple M8 x 1.0 straight	23SM8	3
8	Bolt 16 x 75, galv. 5.8 82101 82101	23S16/75 5.8 82101 OC	2
9	Self-locking nut M16 galv. 82175 8 82175 8	23NS16OC	2
10	Round washer 16 galv. 82005 82005	23P16OOC	4
11	Round washer, 24 galv. 82005 82005	23P24OC	3
12	Self-locking nut M24 galv. 8 82175	POD-ELZ-000399	3
13	Round washer 12 galv. 82005	23P12OC	7
14	Sleeve PAP 3040 P20	POD-LOZ-000218	4
15	Compression spring 24/114/350/9 (AXT)	POD-SPR-000068	1
16	Bolt 20 x 180 galv. 8.8 82101	POD-ELZ-000660	4
17	Compression spring 13/63/350/12.5 (AXT)	POD-SPR-000069	1
18	Stubble cultivator plough beam	POD-OGL-000580	1
19	Side ploughshare 34060857P	POD-OGL-000586	1

No.	Name	Fig. or index No.	Volume
20	Side ploughshare 34060856L	POD-OGL-000585	1
21	Bolt 12 x 70 galv. 8.8 82101 82101	23S12/70OC 8.8	2
22	Self-locking nut M12 galv. 82175 8 82175 8	23NS12OC	5
24	Stubble cultivator coulter tip	POD-OGL-000581	1
25	Stubble cultivator right plough beam guard	POD-OGL-000583	1
25*	stubble cultivator left plough beam guard	POD-OGL-000582	1
26	Plough bolt 12 x 90 black 10.9 82402	POD-ELZ-000688	3
27	Round washer 20 galv. 82005 82005	23P20OOC	8
28	Self-locking nut M20 galv. 82175 8 82175 8	23NS20OC 82175	4

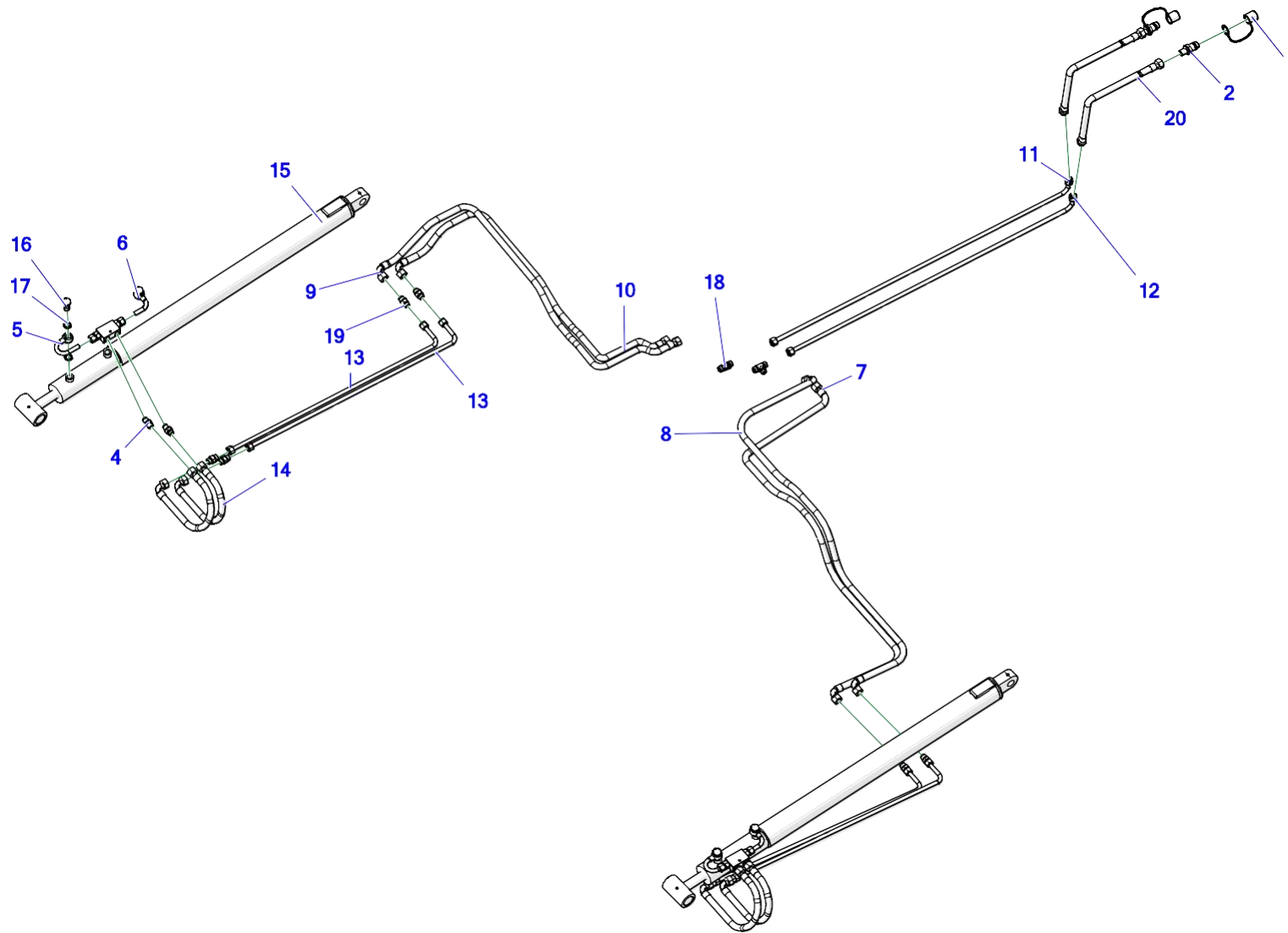
5. RIGHT/LEFT PLOUGH STANDARD, COMPLETE WITH BOLT PROTECTION



No.	Name	Fig. or index No.	Volume
1	Plough standard mounting	U490 03.05.00	1
2	Plough standard mounting plate - bolt protection	U490 03.00.03	1
3	Bolt protection sleeve	U490 03.00.04	1
4	Self-locking nut M16 galv. 82175 8 82175 8	23NS16OC	1
5	Self-locking nut M12 galv. 82175 8 82175 8	23NS12OC	6
6	Round washer 12 galv. 82005	23P12OC	9
7	Round washer 16 galv. 82005 82005	23P16OOC	2
8	Round washer 20 galv. 82005 82005	23P20OOC	8
9	Bolt 12 x 70 galv. 8.8 82101 82101	23S12/70OC 8.8	2
10	Bolt 16 x 90 black 12.9 82101	POD-ELZ-000724	1
11	Bolt 20 x 180 galv. 8.8 82101	POD-ELZ-000660	4
12	Bolt 12 x 90 galv. 10.9 82101	POD-ELZ-000725	1
13	Plough bolt 12 x 90 black 10.9 82402	POD-ELZ-000688	3
14	Side ploughshare 34060857P	POD-OGL-000586	1
15	Side ploughshare 34060856L	POD-OGL-000585	1
16	Stubble cultivator right plough beam guard	POD-OGL-000583	1
16*	Stubble cultivator left plough beam guard	POD-OGL-000582	1
17	Stubble cultivator coulter tip	POD-OGL-000581	1

No.	Name	Fig. or index No.	Volume
18	Stubble cultivator plough beam	POD-OGL-000580	1
19	Self-locking nut M20 galv. 82175 8 82175 8	23NS20OC 82175	4

6. HYDRAULIC SYSTEM – HOSES



No.	Name	Fig. or index No.	Volume
1	Cap for EURO valve plug 13 (green, yellow, blue, red)	24ZWNE13	2
2	EURO valve-plug 13 M18 x 1.5	24ZWE13-M18X1.5	2
3	Double non-return control valve VBPDE 3/8" L 2 CEXC	POD-HZW-000038	2
4	Straight connector 3/8 x 18-1.5 12LR	24KP3/8 18	4
5	Tube 12 x 15 L-150 + head P04 M18 diam. 12	Tube 12 x 15 L-150 + head P04 M18 diam. 12	2
6	Tube 12 x 15 L140 + head P04 M18 diam. 12	Tube 12 x 15 L140 + head P04 M18 diam. 12	2
7	Hydraulic hose AA90/211/10 L-1500	AA90/211/10 L-1500	1
8	Hydraulic hose AA90/211/10 L-1400	AA90/211/10 L-1400	1
9	Hydraulic hose AA90/211/10 L-1400	AA90/211/10 L-1400	1
10	Hydraulic hose AA90/211/10 L-1300	AA90/211/10 L-1300	1
11	Tube 12 x 1.5 L-1200 + 2xpz + 2xn	Tube 12 x 1.5 L-1200 + 2xpz + 2xn	1
12	Tube 12 x 1.5 L-1150 + 2xpz + 2xn	Tube 12 x 1.5 L-1150 + 2xpz + 2xn	1
13	Tube 12 x 1.5 L-900 + 2xpz + 2xn	Tube 12 x 1.5 L-900 + 2xpz + 2xn	4
14	A90A/211/10 L-450	A90A/211/10 L-450	4
15	Welded cylinder	U490 02.09.00	2
16	Eye bolt M18 x 1.5 16 L31	24SO18/1.5	4
17	Copper washer diam. 18 x 24 x 1.5	24U18	8

No.	Name	Fig. or index No.	Volume
18	T-connector 18 x 18 x 18 12L	24KT18/18/18	2
19	Straight connector 18 x 18-1.5	24KP18/18	8
20	Hydraulic hose AB/211/10 L-2000	AB/211/10 L-2000	2

*Hydraulic hoses are included in the POD-HPR-000472 stubble cultivator 3-3.5 m set



Metal-Fach Sp. z o.o. is constantly improving its products and adjusting its package to the needs of its customers, so it reserves the right to make changes to its product range without notice. Therefore, before making your purchase decision, please contact an authorised dealer or sales representative of Metal-Fach Sp. z o.o. Metal-Fach Sp. z o.o. will not accept any complaints regarding the data and pictures contained in the catalogue, as the presented range of products does not constitute an offer within the meaning of the provisions of the Civil Code.

The pictures do not necessarily show standard accessories.

Original spare parts are available from authorised dealers, both in Poland and abroad, and also at the Metal-Fach retail outlet.

TECHNICAL SERVICE

16-100 Sokółka, ul. Kresowa 62
phone: +48 85 711 07 80; fax: +48 85 711 07 93
serwis@metalfach.com.pl

SALES

16-100 Sokółka, ul. Kresowa 62
phone: +48 85 711 07 78; fax: +48 85 711 07 89
handel@metalfach.com.pl

SPARE PARTS WHOLESALE STORE

16-100 Sokółka, ul. Kresowa 62
Wholesale:
phone: 85 711 07 81; fax: 85,711 07 93
hurtownia@metalfach.com.pl

Spare parts - retail sales
24/7 PHONE: +48 533 111 477
Phone: +48 85 711 07 90
sklep.kontakt@metalfach.com.pl

CURRENT INFORMATION ABOUT OUR PRODUCTS CAN BE FOUND ON WWW.METALFACH.COM.PL

