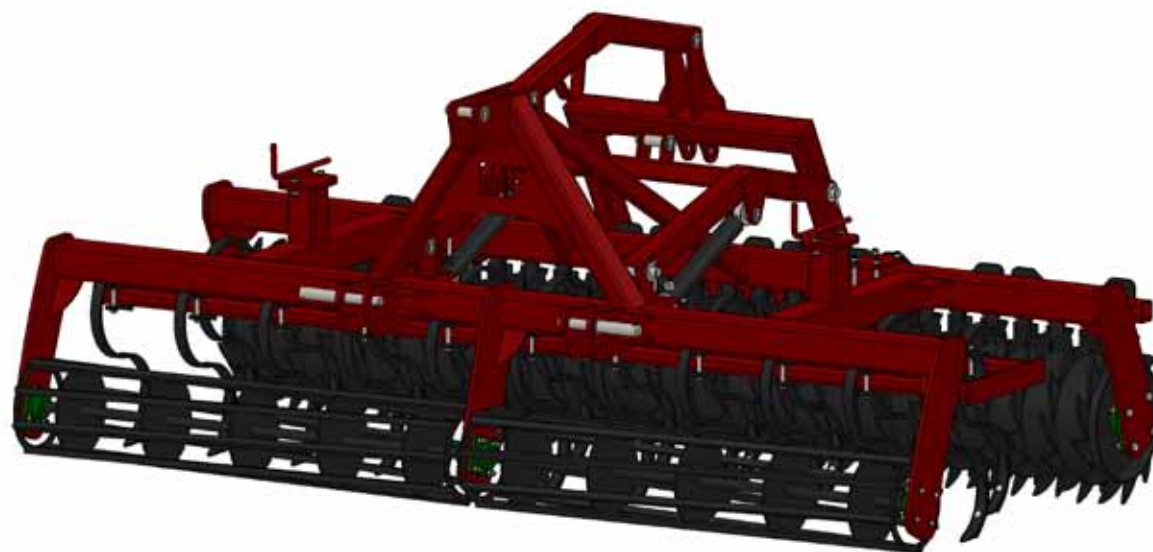
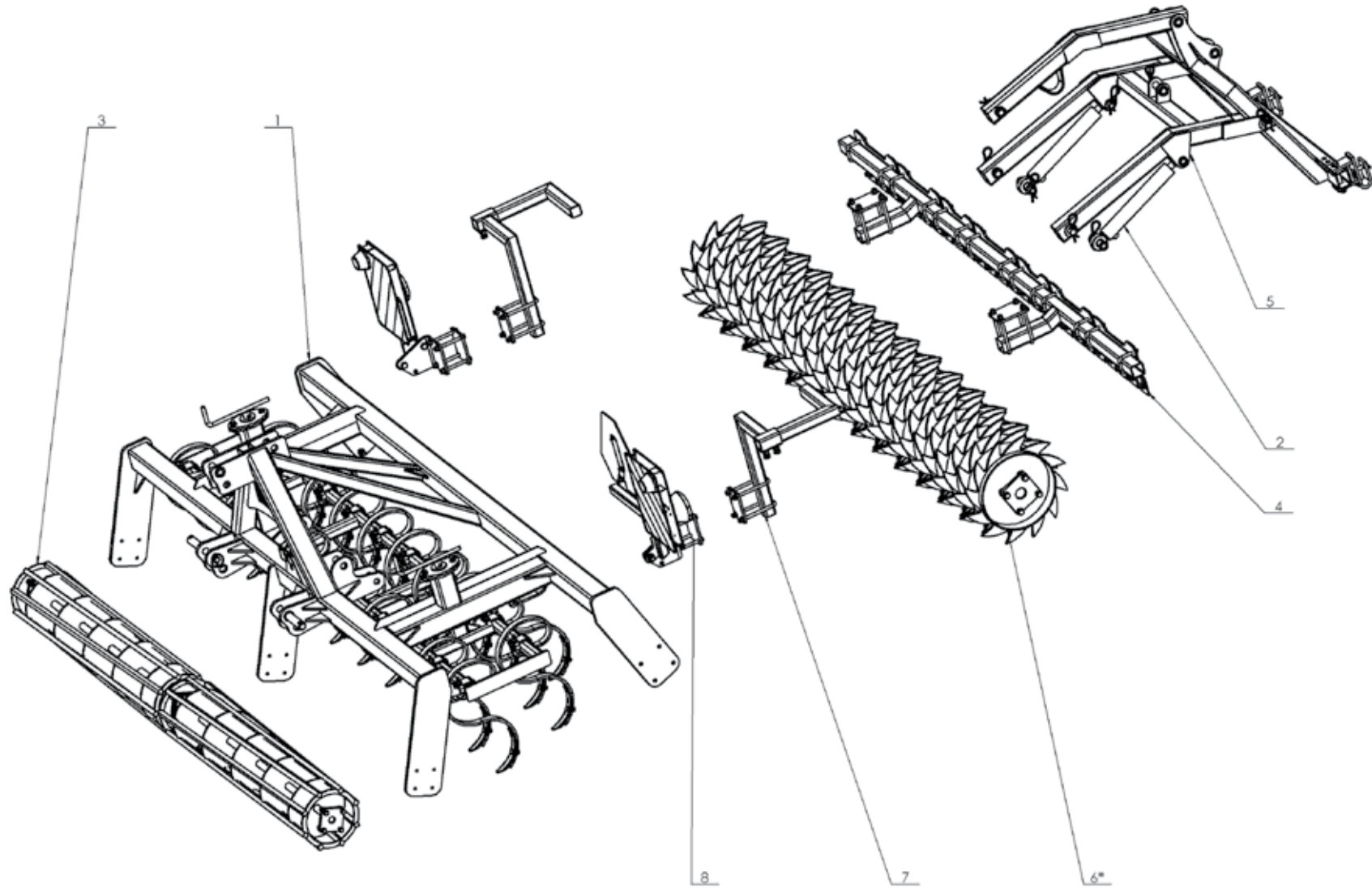


SPARE PARTS CATALOGUE

U818 Cultivator

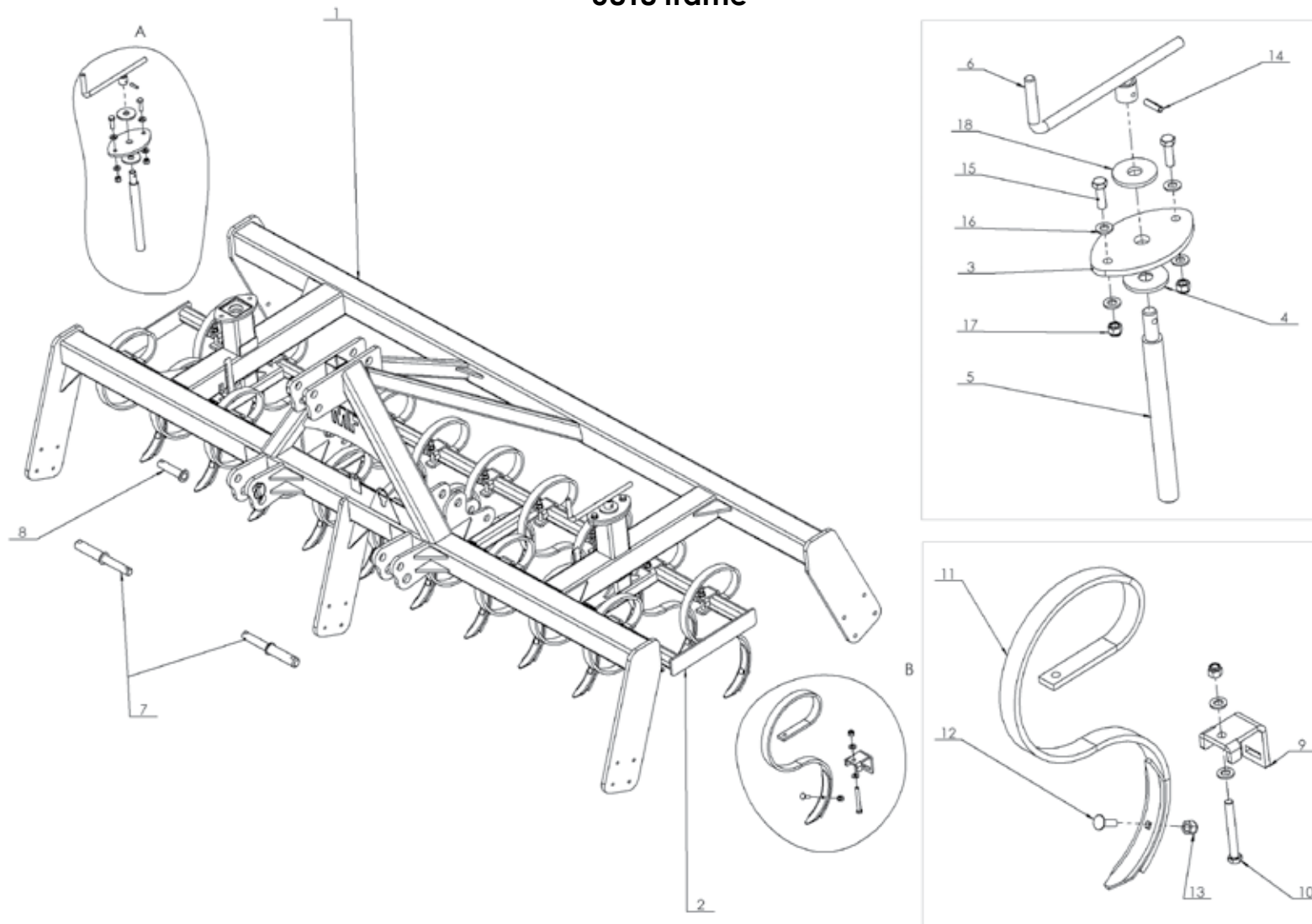


U818 CULTIVATOR WITH HYDROPACK 3.0m

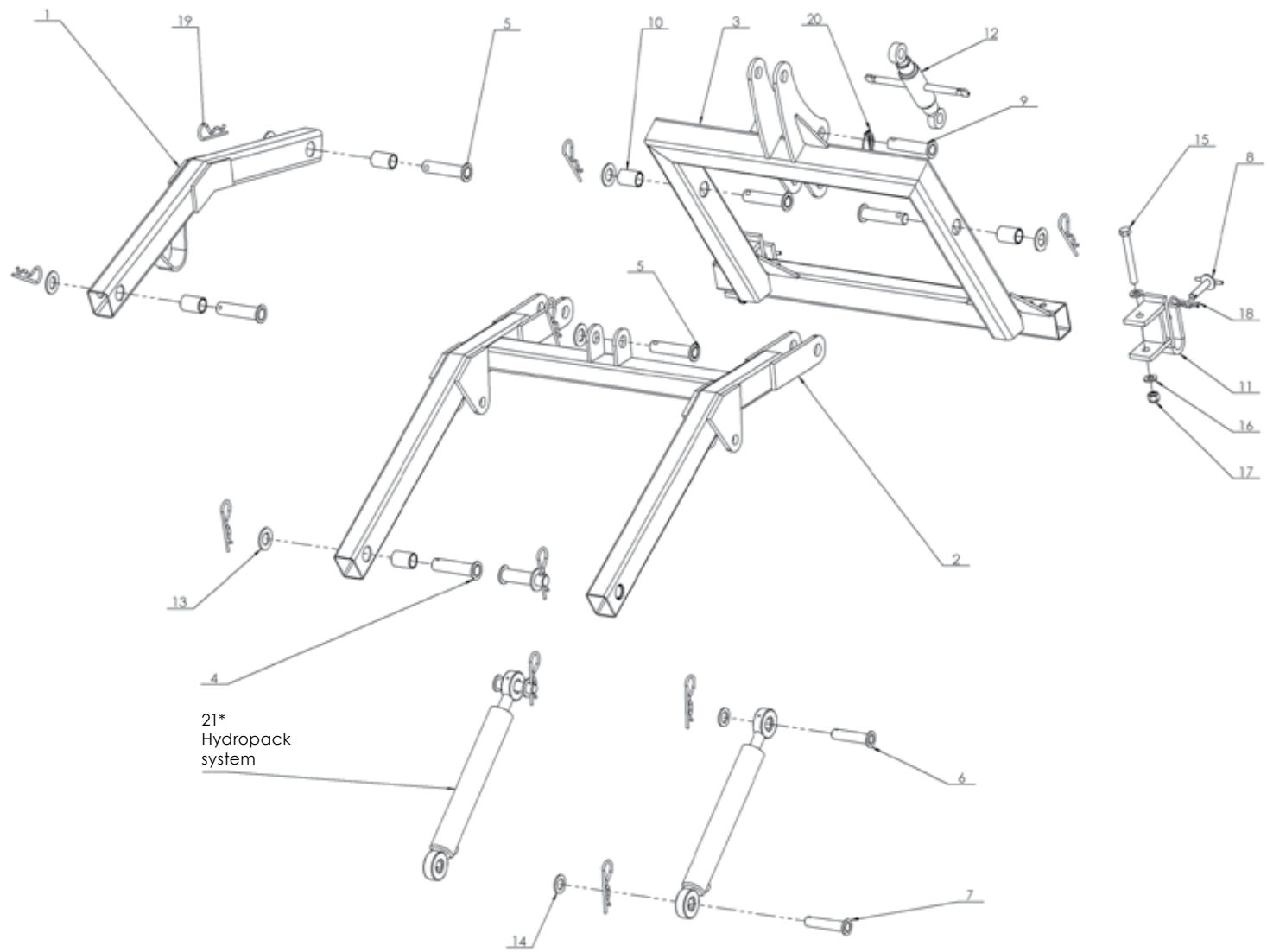


U818 cultivator with hydropack 3.0m			Table 1
Item	Name of assembly or part	U-818	
		Dwg no. or index no.	Quantity
1	Cultivator main frame	U818 01.00.00	1
2	Seeder uplift hydraulic system	U818 19.00.00	1
3	String packer	U818 03.00.00	2
4	Rake suspension beam	U818 04.00.00	1
5	Hydraulic uplift assembly	U818 05.00.00	1
6*	Packer shaft	U-710 14.02.00	1
6*	Tbular shaft, Ø500	U741 04.02.00	1
7	Wheel supports	U818 18.00.00	1
8	Lighting	U740 21.00.00	1

U818 frame



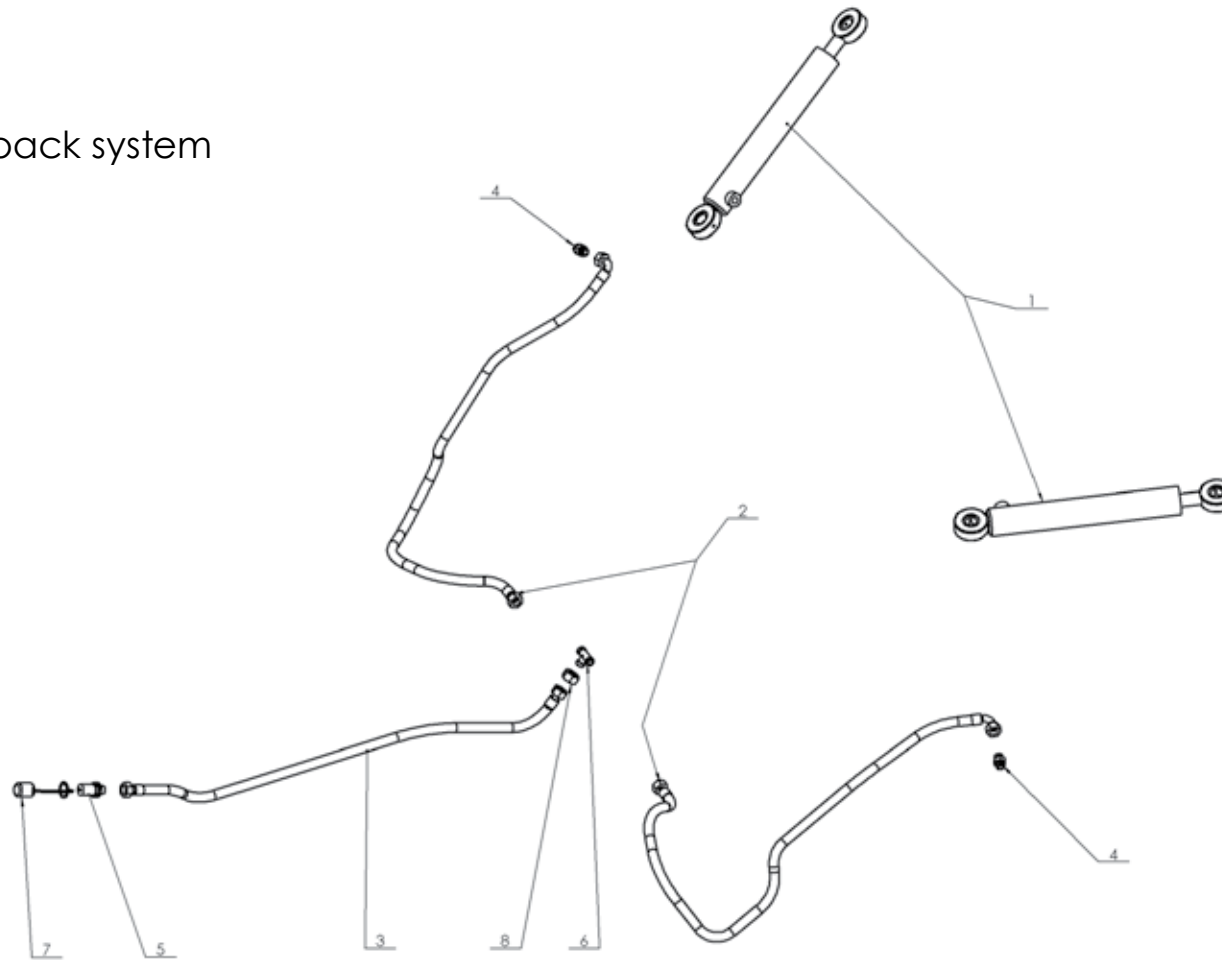
U818 frame – 3.0m			Table 2
Item	Name of assembly or part	U-818	
		Dwg no. or index no.	Quantity
1	Cultivator main frame	U818 01.00.00	1
2	Spring frame	U818 02.00.00	1
3	Spring plate retaining sheet plate	U818 00.00.11	2
4	Bolt washer, Tr30x6	U818 09.00.02	2
5	Bolt, Tr30x6	U818 09.00.00	2
6	Handle	U818 08.00.02	2
7	3-point hitch pin assembly	U818 07.00.00	2
8	3-point hitch upper pin	U818 06.00.00	1
9	Spring teeth mounting	U818 00.00.17	21
10	Bolt, 12x100 galv. 82101	23S12/100OC 8.8	21
11	Cultivator spring with coulter, B231	25117	21
12	Neck bolt, 10x35 galv. 8.8 82406	POD-ELZ-000084	21
13	Self-retaining nut, M10 galv. 82175 8	23NS10OC	21
14	Spring pin, 6x32 DIN 1481	23K6-32	2
15	Bolt, 12x40 8.8 82101 82101	23s12/40OC	4
16	Round washer, 12 galv. 82005	23P120OC	50
17	Self-retaining nut, M12 galv. 82175	23NS12OC	4
18	Washer	U818 00.00.10	2



Seeder hydraulic uplift assembly			Table 3
Item	Name of assembly or part	U-818	
		Dwg no. or index no.	Quantity
1	Upper arm	U818 05.01.00	1
2	Lower arm	U818 05.02.00	1
3	Rear arm	U818 05.03.00	1
4	Pin I	U818 05.05.00	3
5	Pin II	U818 05.06.00	4
6	Actuator pin	U818 05.07.00	2
7	Actuator pin II	U818 05.08.00	2
8	Rear 3-point hitch pin	U818 05.09.00	2
9	3-point hitch upper pin	U818 06.00.00	1
10	Upper beam bush	U818 05.01.03	6
11	Rear 3-point hitch	U818 05.04.00	2
12	Seeder connector	POD-OGL-000602	1
13	Round washer, 30 galv. 82005	23P30OOC	7
14	Round washer, 27 galv. 82005	23P27OOC	4
15	Bolt, 16x140 galv. 82101	23S16-140oc 8.8	2
16	Round washer, 16 galv. 82005	23P16OOC	4
17	Self-retaining nut, M16 galv. 82175 8	23NS16OC	2
18	Sing. spring cotter pin, 5	23ZR5	2

19	Sing. spring cotter pin, 6	23ZR6	10
20	Cotter pin w/ring 11	23PR11	1
21*	Hydropack system	U818 05.10.00	1

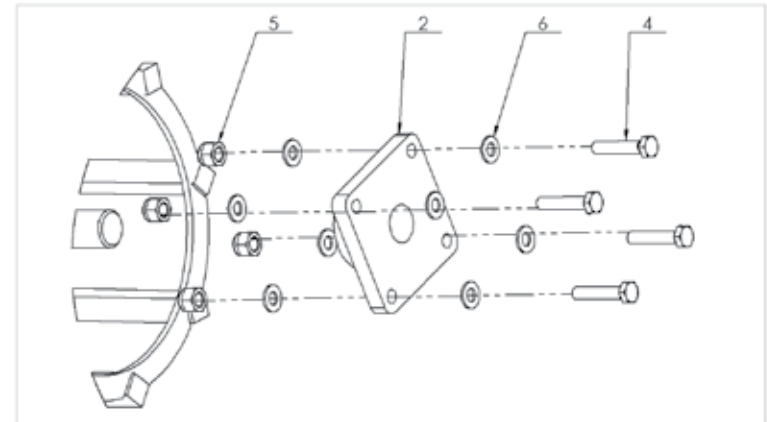
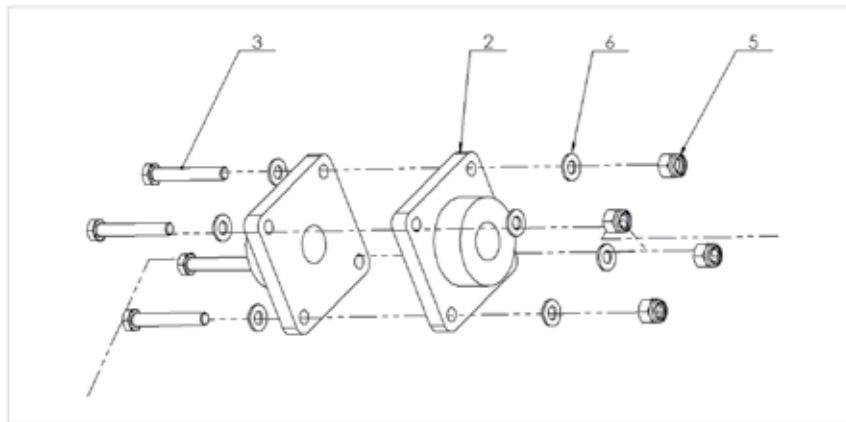
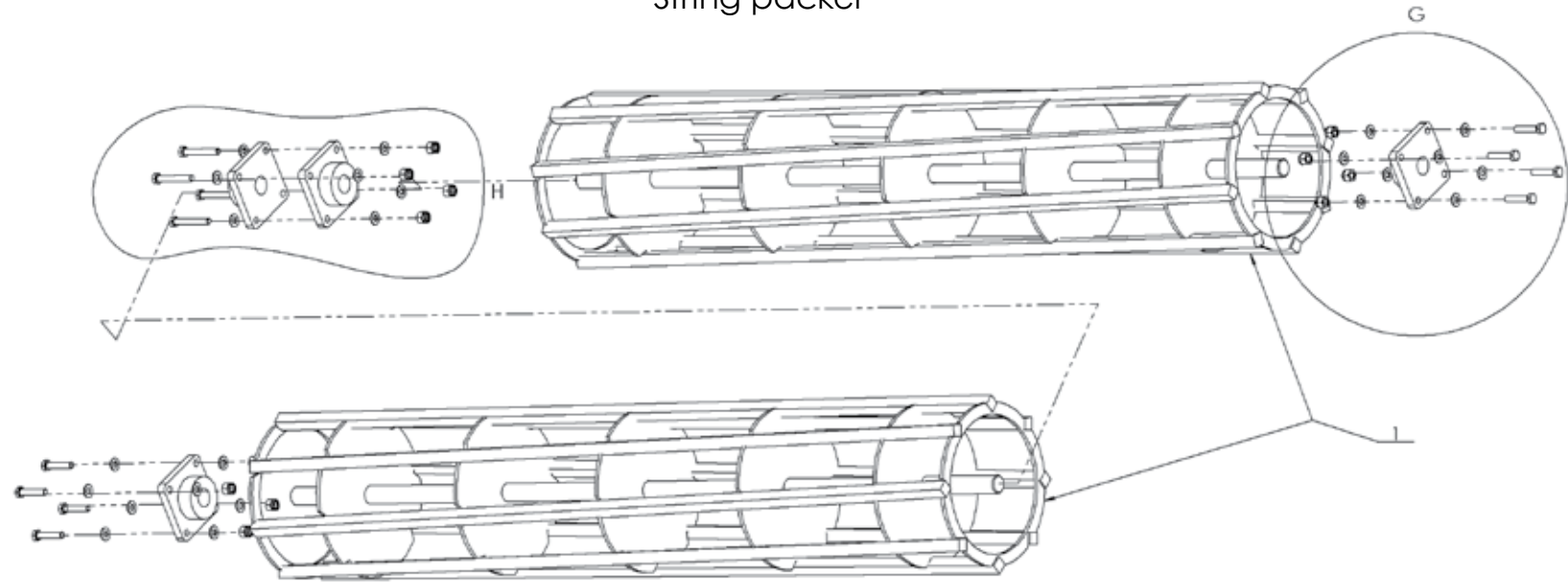
Hydropack system



Hydropack system			Table 4
Item	Name of assembly or part	U-818	
		Dwg no. or index no.	Quantity
1	Actuator, UCJ 304-50-28/235 (RAL7021)	POD-HSL-000124	2
2	Hydraulic line I	AA90/111/10 L-700	2
3	Hydraulic line II	AA/111/10 L-2000	1
4	Choke coupling, 16x18-1.5 (fi 1mm)	POD-HKR-000134	2
5	EURO 13 valve-plug, M18x1.5	24ZWE13-M18X1.5	1
6	Partition tee-connector, 18x1.5 Dwg. 1 ZN147	24KZTG18/18/18	1
7	EURO 13 plug valve adapter	24ZWNE13	1
8	Locknut, 18x1.5	24P18/1.5	1

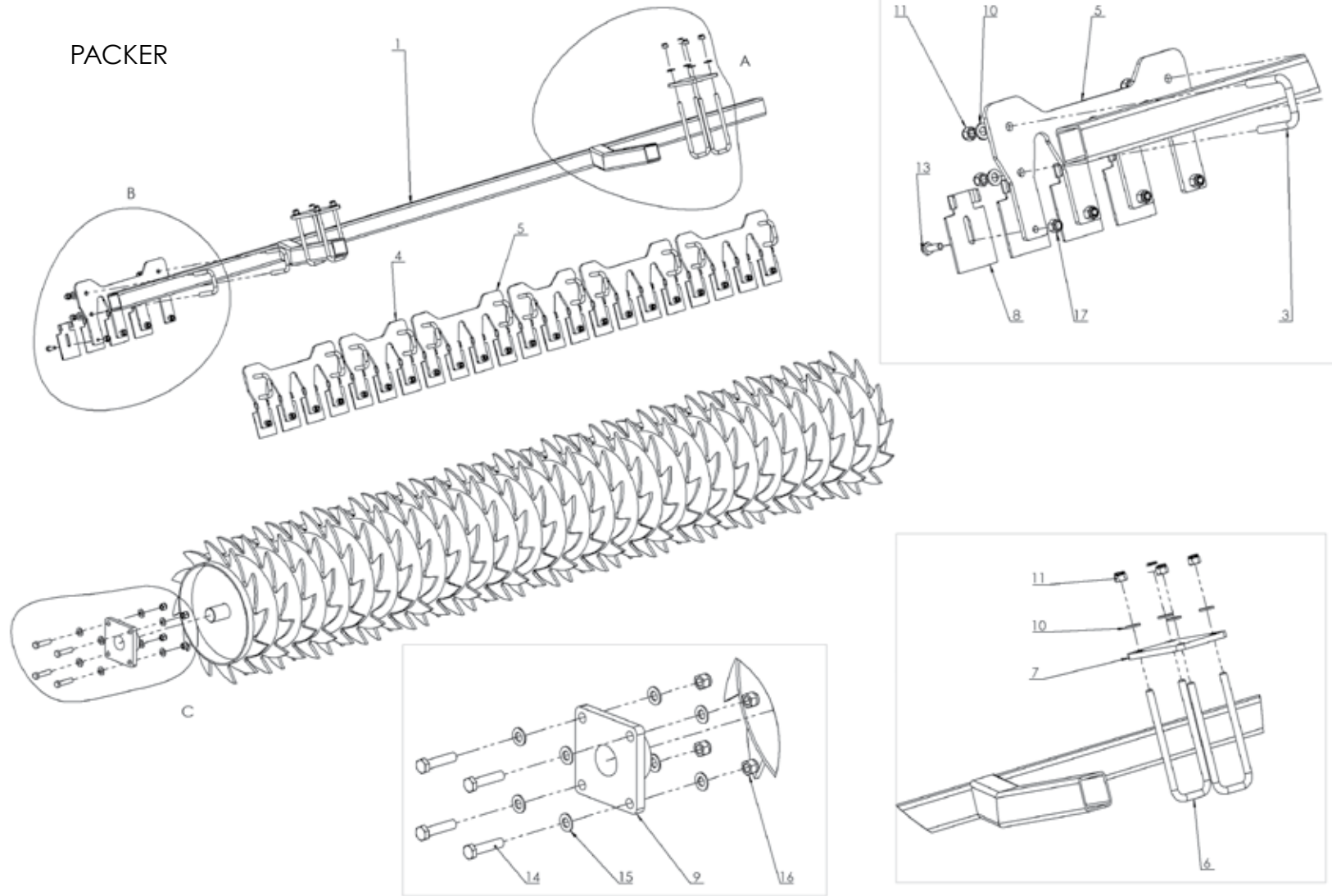
Hydraulic lines (No. 2 and 3) are Set no. 24-4 of the U-818 Cultivator 3m hydropack

String packer



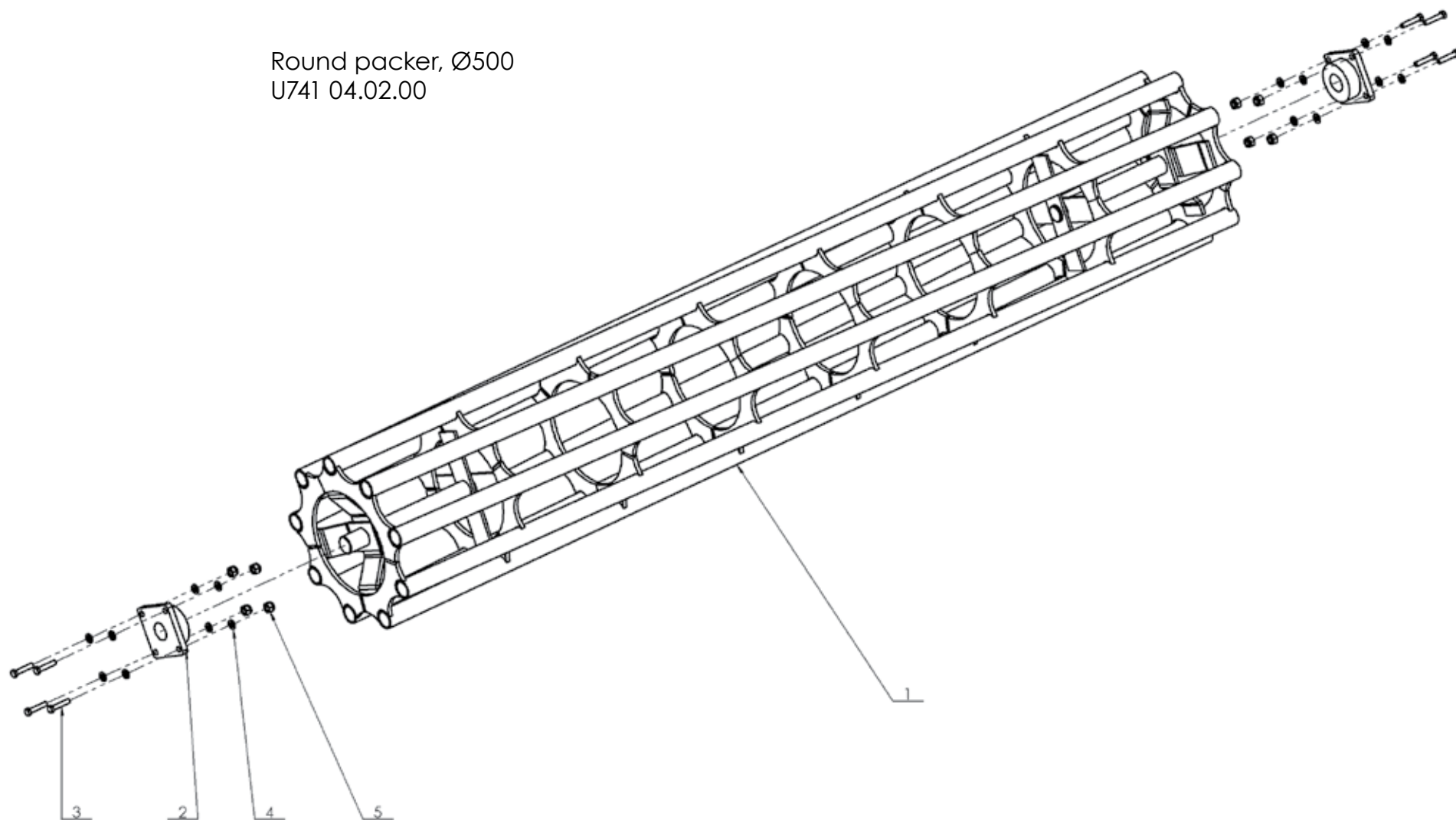
U818 String packer – 3.0m			Table 5
Item	Name of assembly or part	U-818	
		Dwg no. or index no.	Quantity
1	String packer	U818 03.00.00	2
2	Bearing, assy UCF206	POD-LOZ-000119	4
3	Bolt, 10x65 galv. 8.8 82101	POD-ELZ-000529	4
4	Bolt, 10x50 galv. 8.8 82101	U818 05.05.00	8
5	Self-retaining nut, M10 galv. 82175 8	23NS10OC	12
6	Round washer, 10 galv. 82005	23P10 82005	24

PACKER



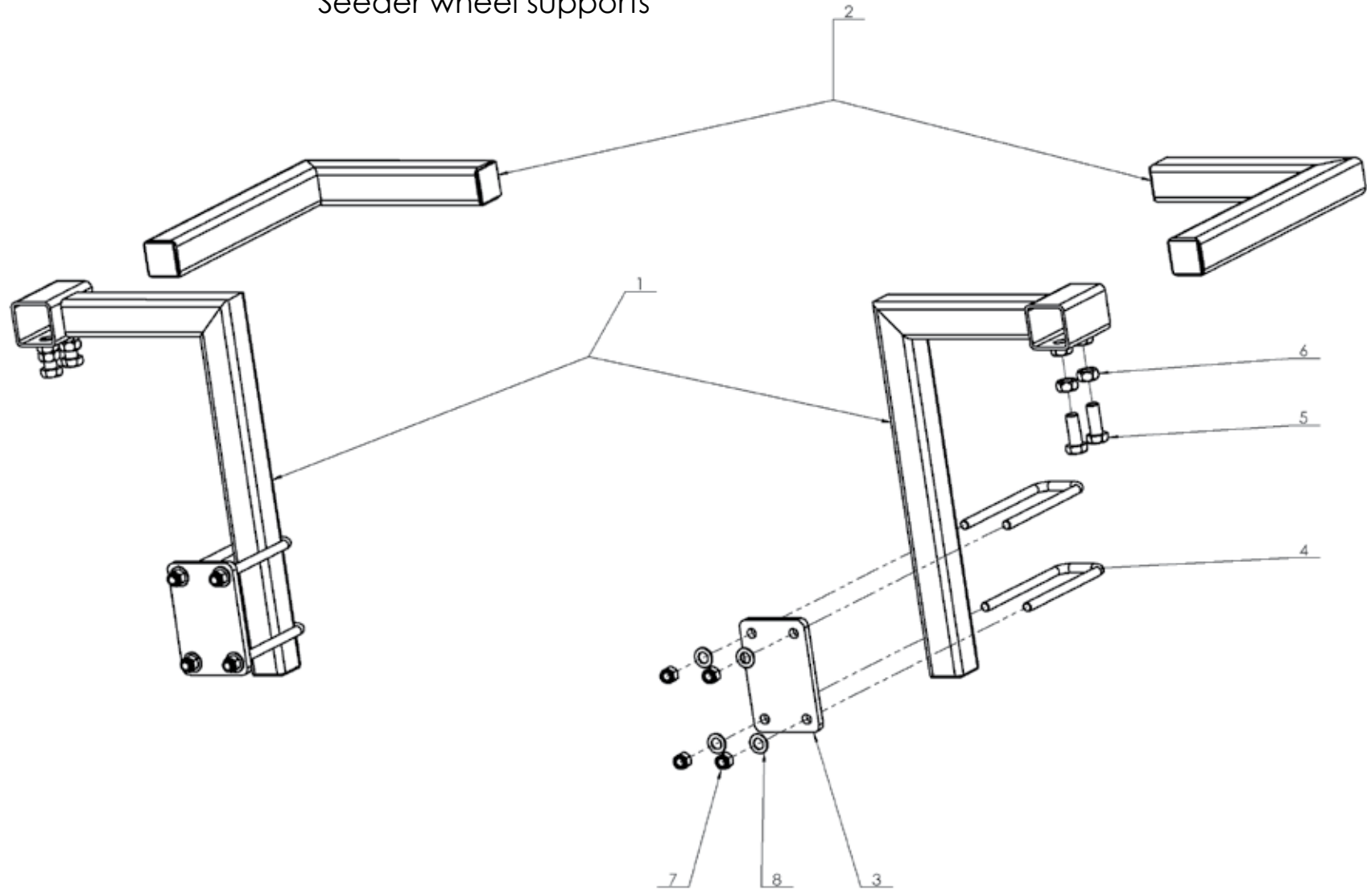
U818 Packer – 3.0m			Table 6
Item	Name of assembly or part	U-818	
		Dwg no. or index no.	Quantity
1	Rake suspension beam	U818 04.00.00	1
2	Packer shaft	U-710 14.02.00	1
3	Rake grip	U818 00.00.16	14
4	Rake sheet	U818 00.00.15	2
5	Rake sheet II	U818 00.00.14	5
6	Rake frame grip	U818 00.00.13	4
7	Grip mounting sheet	U818 00.00.12	2
8	Rake plate	U-710-1 14.00.07	26
9	Bearing, assy UCF210	POD-LOZ-000095	2
10	Round washer, 12 galv. 82005	23P12OC	36
11	Self-retaining nut, M12 galv. 82175 8	23NS10OC	36
12	Round washer, 10 galv. 82005	23P10OC82005	26
13	Bolt, 10x30 galv. 82105 82105	23S10/30OC 8.8	26
14	Bolt, 14x55 galv. 82101 8.8 82101	POD-ELZ-000030-1	8
15	Round washer, 14 galv. 82005	23P14OC	16
16	Self-retaining nut, M14 galv. 82175 8	23NS14OC	8
17	Self-retaining nut, M10 galv. 82175 8	23NS10OC	16

Round packer, Ø500
U741 04.02.00



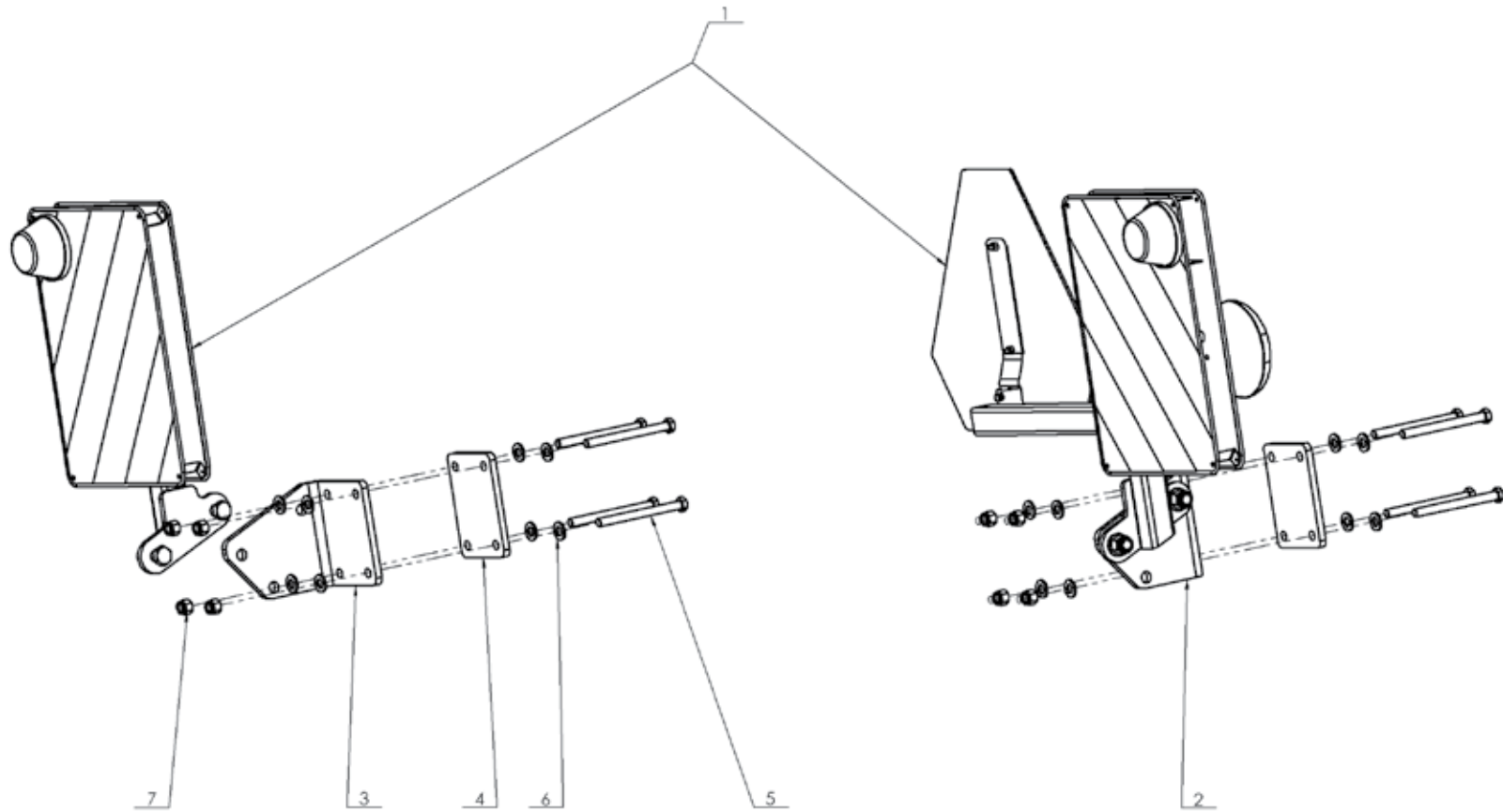
Round packer, Ø500			Table 7
Item	Name of assembly or part	U-741 mechanical adjustment	
		Dwg no. or index no.	Quantity
1	Round packer	U741 04.02.00	1
2	Bearing assembly, UCF 210	POD-LOZ-000095	2
3	Bolt, M12x60	POD-ELZ-000053-1	8
4	Washer, M12	23P12OC	16
5	Self-retaining nut, M16 galv. 82175 8	23NS16OC	8

Seeder wheel supports

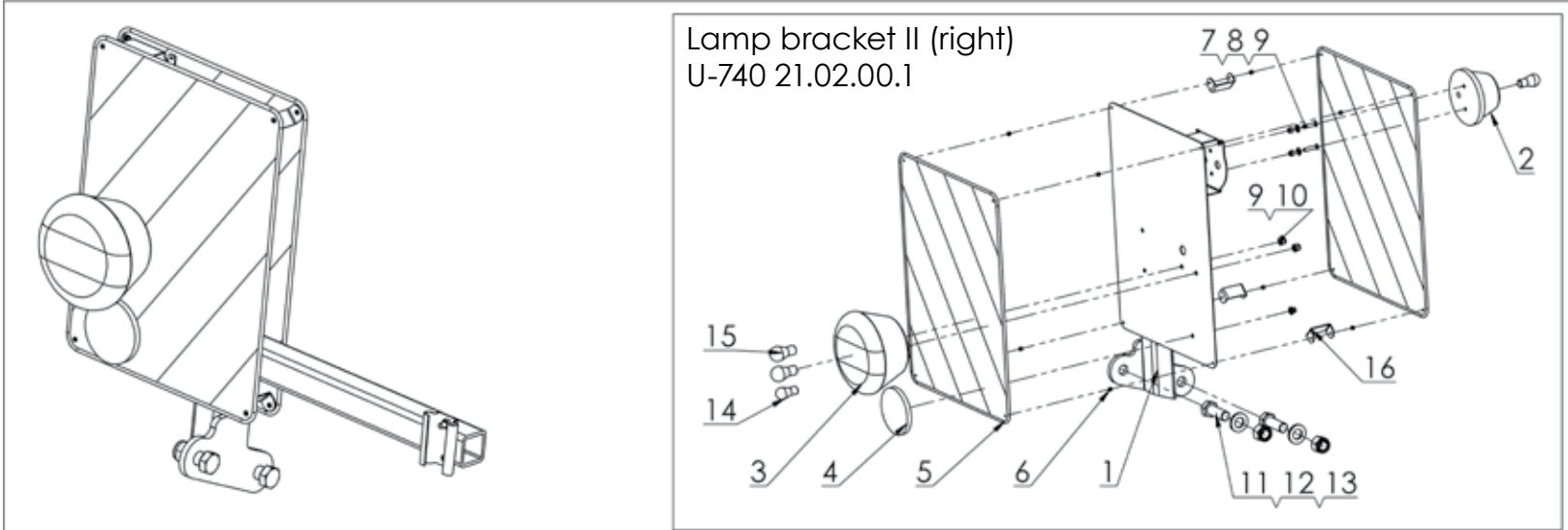


Seeder wheel supports			Table 8
Item	Name of assembly or part	U-818	
		Dwg no. or index no.	Quantity
1	Wspornik	U818 18.01.00	2
2	Bracket II	U818 18.02.00	2
3	Fastening sheet plate	U818 18.00.03	2
4	Bail bolt	U818 18.00.04	2
5	Bolt, 16x45 galv. 82105	23S16/45OC	4
6	Nut, M16 galv. 82144 5	23N16OC	8
7	Self-retaining nut, M12 galv. 82175 8	23NS12OC	8
8	Round washer, 12 galv. 82005	23P12OC	8

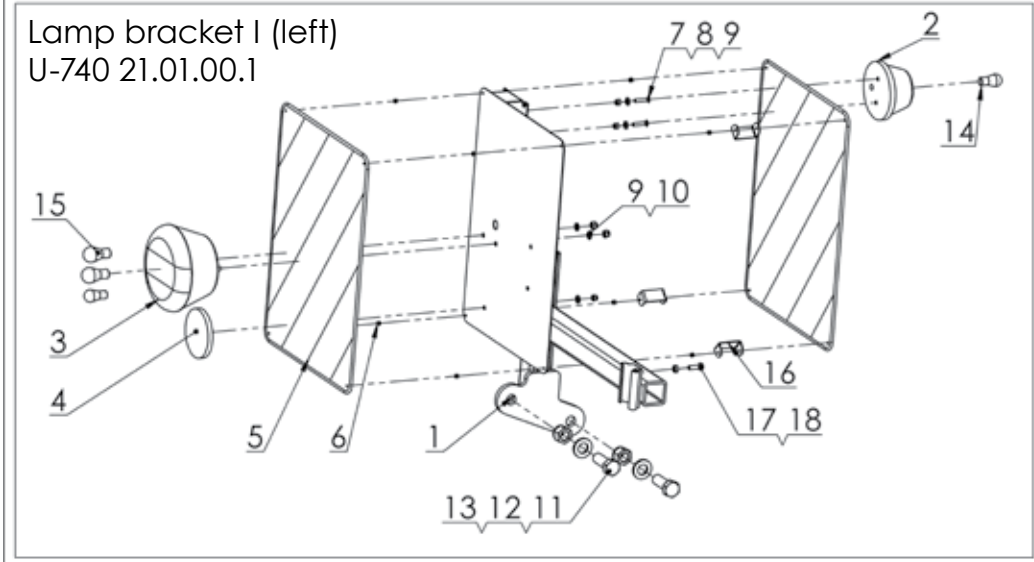
Warning lights



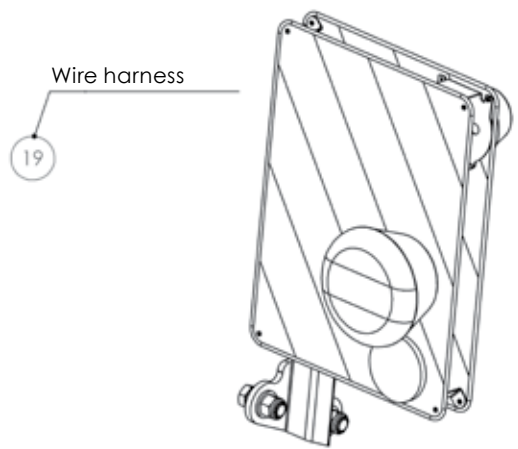
Warning lights			Table 9
Item	Name of assembly or part	U-818	Quantity
		Dwg no. or index no.	
1	Cultivator warning lights	U-740 21.00.00	1
2	Lamp bracket I	U818 00.00.25	1
3	Lamp bracket II	U818 00.00.26	1
4	Grip mounting sheet	U818 00.00.12	2
5	Bolt, 12x140 galv. 82101	POD-ELZ-000407	8
6	Self-retaining nut, M12 galv. 82175 8	23NS12OC	8
7	Round washer, 12 galv. 82005	23P12OC	16



Lamp bracket II (right)
U-740 21.02.00.1



Lamp bracket I (left)
U-740 21.01.00.1



Cultivator warning lights
U-740 21.00.00

U-740 "KRUK" WARNING LIGHTS – mechanical/hydraulic adjustment				Table 10	
Item	Name of assembly or part	U-740 mechanical/hydraulic adjustment	Quantity		
		Dwg no. or index no.	Left bracket	Right bracket	
1	Lamp bracket I (left)	U-740 21.01.10.1	1	1	
1	Lamp bracket II (right)	U-740 21.02.10.1	1	1	
2	Front position lamp E92D	26LP	1	1	
3	Lamp cluster AVIA LTZ 239	POD-ELK-000064	1	1	
4	Red round reflective light	POD-ELK-000149	1	1	
5	Warning plate, red-white	POD-ELK-000155	2	2	
6	Pop rivet, 3x10	23NIT3X10	8	8	
7	Bolt, cone head 5x25 galv. DIN 7991	POD-ELZ-000509	2	2	
8	Self-retaining nut, M5 galv. 82175 8	POD-ELZ-000471	2	2	
9	Self-retaining nut, M6 galv. 82175 8	23NS6OC	2	2	
10	Round washer, 6 galv. 82005	23P6OOC	4	4	
11	Bolt, M10x40 galv. 82101 8.8	POD-ELZ-000045-1	2	2	
12	Self-retaining nut, M10 galv. 82175 8	23NS10OC	2	2	
13	Round washer, 10 galv. 82005	23P10 82005	2	2	
14	Light bulb, 12V5W	26Z12V5W	2	2	
15	Light bulb, 12V21W (P21W)	26Z12V21W	2	2	

16	Reinforcement assy	U-710 21.00.01	3	3
17	Bolt, M6x25	23S6/25OC 105	1	-
18	Nut, M6 galv.	23N6OC	1	-
19	Wire harness	POD-ELK-000176	1	