





CE DECLARATION OF CONFORMITY



FOR THE MACHINE

METAL-FACH Sp. z o.o.
ul. Kresowa 62
16-100 SOKÓŁKA

acting as the manufacturer

declares under sole responsibility that the following machine:

U818 CULTIVATOR
type/model: U818.....
serial number:
year of manufacture:.....

this declaration concerns, meets the following requirements:

- **Directive 2006/42/EC OF THE EUROPEAN PARLIAMENT AND OF THE COUNCIL** dated May 17th, 2006 on machines and the **Resolution of the Minister of Economy** of October 21st, 2008 concerning general requirements for machinery (Journal of Laws, issue 199 item 1228);

The following harmonised standards were used for compliance evaluation:

PN-EN ISO 4254-1: 2009 + AC:2010
PN-EN ISO 13857:2010
PN-EN ISO 12100:2011

- and the following standards: PN-ISO 3600:1998, PN-ISO 11684:1998; and the Resolution of the Ministry of Infrastructure of 31 December 2002 on technical requirements for vehicles and the scope of their necessary equipment (Journal of Laws 2003, no. 32 item 262 as amended).

Safety Test Report No. MF/1/2013

Unit responsible for engineering documentation: Metal-Fach Engineering Department

This Declaration of Conformity becomes void and null if the machine design is changed or modified in any manner without prior consent from the manufacturer.

Sokolka

President of the Managing Board

Jacek Marek Kucharewicz



Thank you for choosing our 3.0m toothed cultivator with hydro pack, a machine designed for effective and reliable operation.

The following manual will let you fully use the advantages of our cultivator and to optimise the soil cultivation process.

The manual contains a detailed table of contents followed by descriptions which will allow to easily identify the device and to make the best use of it.

The information regarding safety and comfort of operation, description of coupling with a tractor, technical service activities and storage conditions are listed on the following pages of the manual.

A spare parts catalogue containing the list of the cultivator major components allowing for easy ordering is attached to the Manual in a digital form on a CD. A printed version of the catalogue can be purchased at authorised service outlets or directly from the manufacturer.

Both the manual and the spare parts catalogue contain basic information on the product. The elements fitted to the equipment may be slightly different from the ones presented in the manual.

The manufacturer reserves the right to introduce changes without notice.



IMPORTANT

The latest operating manuals and parts catalogues are available on our website: <http://www.metalfach.com.pl/pl/instrukcje.html>

TABLE OF CONTENTS

1.	CULTIVATOR IDENTIFICATION, GENERAL SAFETY RULES	5	8.2.	Travelling on public roads	18
1.1.	Identification of the U818 Toothed Cultivator 3.0M	5	8.3.	Light signalling (optional)	18
1.2.	Machine design	6	9.	CULTIVATOR STORAGE	19
1.3.	Cultivator characteristics	6	10.	TROUBLESHOOTING	20
1.4.	Cultivator dimensions	7	11.	DISMANTLING, DISPOSAL AND ENVIRONMENTAL PROTECTION	20
1.5.	Warning symbols	9	12.	RESIDUAL RISKS	21
1.6.	Location of symbols on the machine	10	12.1.	Description of residual risks	21
1.7.	General rules for safety	11	12.2.	Evaluation of the residual risk	21
2.	DRIVE OPERATION	12	13.	WARRANTY CONDITIONS	22
2.1.	Coupling the cultivator with the drive	12		WARRANTY CARD	23
2.2.	Decoupling the cultivator from the drive	12			
2.3.	Stability of the tractor/cultivator assembly	12			
3.	COMMISSIONING	13			
4.	ONGOING ADJUSTMENTS	14			
5.	OPERATING THE CULTIVATOR	15			
5.1.	Operation of a cultivator with the hydropack coupled to a seeder	15			
5.2.	Hydropack system	16			
5.3.	Fishing the work with the cultivator	16			
6.	PERIODIC INSPECTION	17			
6.1.	Lubrication	17			
7.	AUTHORISED SERVICE	17			
7.1.	Warranty service	17			
7.2.	Ongoing maintenance	17			
7.3.	Ordering spare parts	17			
8.	TRANSPORTING THE CULTIVATOR	18			
8.1.	Load transport	18			

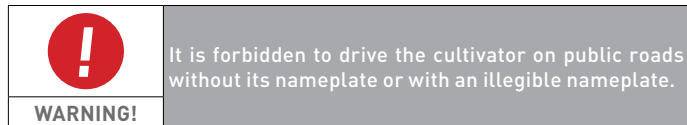
1. CULTIVATOR IDENTIFICATION, GENERAL SAFETY RULES

1.1. IDENTIFICATION OF THE U818 TOOTHED CULTIVATOR 3.0M

The cultivator is identified by its nameplate securely fastened to the main frame of the machine. The information presented on the U818 cultivator 3.0m nameplate is shown in the diagram below.



Fig. 1. Nameplate



THE MANUAL IS A PART OF THE CULTIVATOR ESSENTIAL EQUIPMENT.

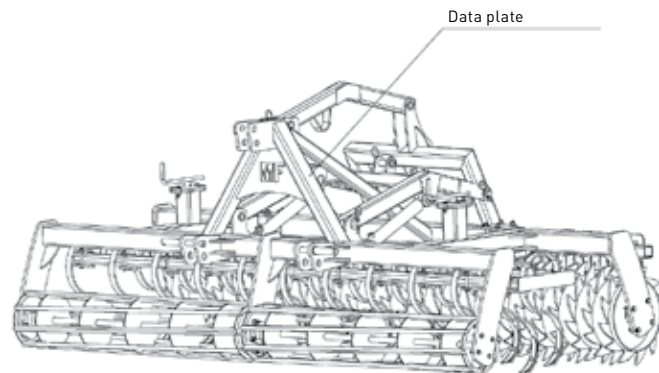
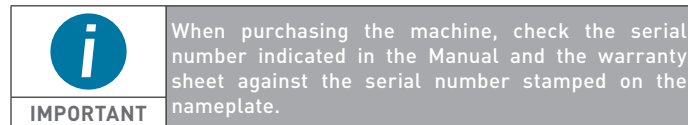


Fig. 2. Nameplate location on the machine


If the machine is sold to another user, it must be supplied with the operating manual. It is advised that the supplier has a confirmation stating that the manual was transferred together with the machine, signed by the buyer and filed.

Carefully read the operating manual.



1.2. MACHINE DESIGN

The cultivator structure comprises the main frame built of sections, the service assembly frame, the spring teeth with smooth service depth adjustment, and the rear round packer and the front string shaft. The cultivator features adjustable support feet and a hydraulic uplift system for the seeder.

	No person is allowed to remain on the machine or within its operating area when the cultivator is working.
CAUTION!	

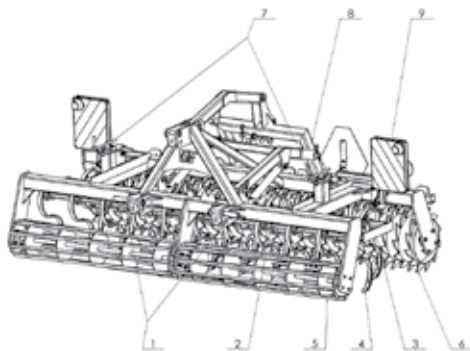


Fig. 3. Cultivator design

1 – Lower link pins, 2 – Cultivator frame, 3 – Service assembly frame, 4 – Spring tooth, 5 – Front string shaft, Ø300, 6 – Round packer, Ø500, 7 – Adjustment bolts, 8 – Hydropack, 9 – Lighting system.

1.3. CULTIVATOR CHARACTERISTICS

Item	Content	
I General data		
1.	Type	Cultivator
2.	Manufacturer	METAL-FACH Sp. z o.o. 16-100 Sokółka, ul. Kresowa 62
3.	Type (model)	U818
5.	Nameplate location	main frame
6.	S/N stamping location	on the nameplate and underneath
7.	Service width [m]	3.0
8.	No. of teeth [pcs.]	21
9.	Packer type:	
	- front	string packer, Ø300
	- rear	round packer, Ø500
10.	Teeth spacing [mm]	280
11.	Service speed [km/h]	7-12
12.	Efficiency [ha/h]	2-3
13.	Power demand [kW/HP]	60-83/80-100
14.	Operators [no. of persons]	1 operating person

15.	Overall dimensions	
	transport position (hydropack lifted)	
	width [mm]	3000
	height [mm]	2160
	length [mm]	1565
	service position	
	width [mm]	3000
	height [mm]	1360
	length [mm]	1800
16.	Weight w/packer and hydropack [kg]	980
17.	Hitch category	2 or 3
18.	Hitch [mm]	28/32

1.4. CULTIVATOR DIMENSIONS

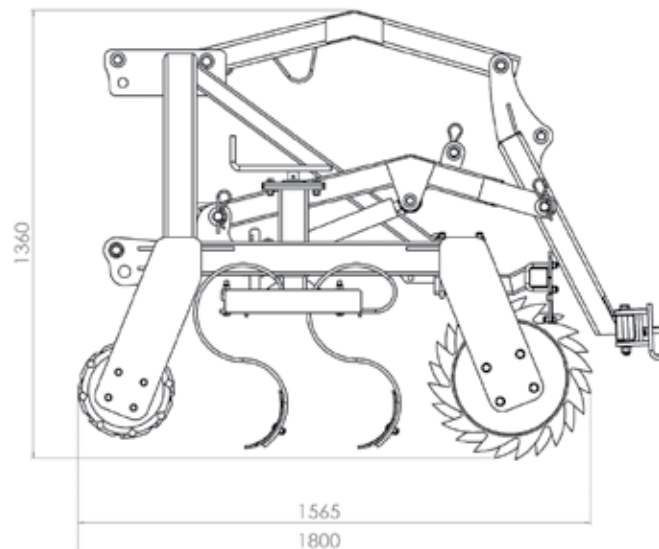


Fig. 4. Cultivator side view

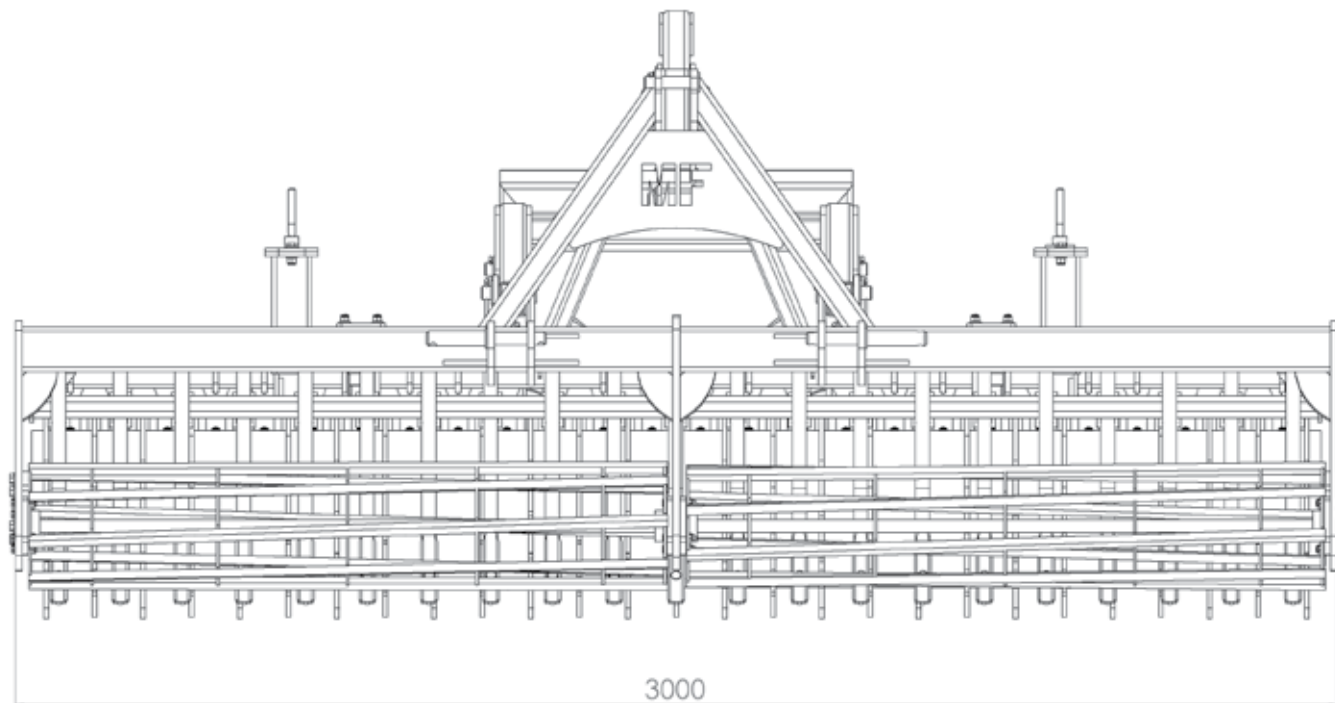


Fig. 5. Cultivator rear view

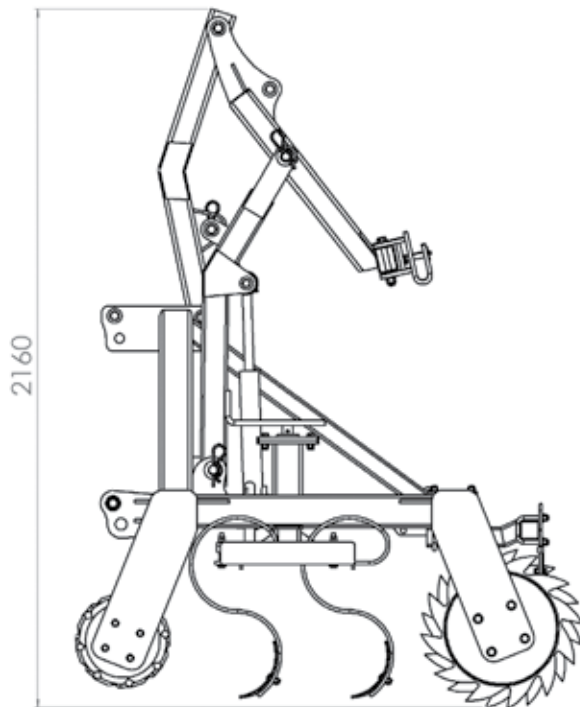





Fig. 6. Cultivator side view, with the hydropack lifted

1.5. WARNING SYMBOLS

Item	Safety symbol (sign)	Meaning of the symbol (sign) or text
1.		Read the operating instructions.
2.		Turn off the engine and remove the ignition key before servicing or repairs.
3.		Keep a safe distance from the machine. Danger of being crushed by the machine.
4.		Do not reach into the crushing area if the machine may move.
5.		Keep a safe distance from the machine. Danger of crushing of toes or feet. Force applied from above.
6.		Attachment points for loading on a means of transport.
7.		Lubrication point.

8.		Service depth graduation.
9.		Lift the cultivator when turning around.

1.6. LOCATION OF SYMBOLS ON THE MACHINE

	<p>The cultivator user is required to keep the warning symbols and text on the trailer legible during its entire operating life.</p>
<p>CAUTION!</p>	<p>If damaged or destroyed, replace with new ones.</p>

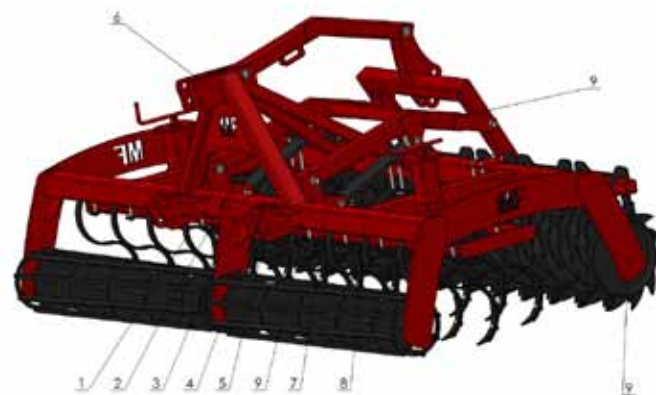


Fig. 7. Locations of signs on the cultivator

1.7. GENERAL RULES FOR SAFETY

The safety regulations given below apply to the machine. Regardless of those regulations the user must also follow the general safety and accident prevention regulations and the traffic code.

The machine [cultivator + tractor] should be operated maintaining all rules of safe operation, in particular:

1. Before every start-up check the machine and the tractor – whether they are in condition which guarantees safety during movement and operation;
2. To maintain steerability the machine may only be coupled to a tractor with a full set of weights on the front axle. When the machine is coupled the load on the tractor's front axle must be at least 20% of the tractor's own weight, see section 2.3;
3. Follow the maximum permissible axle loads, total weight and transport dimensions;
4. When coupling the machine to the tractor, raising and lowering the machine using the tractor's hydraulic system, unfolding the machine to its transport or working position, and on headlands, the operator must make sure that there are no bystanders near by, especially children;
5. When the engine is running, no person is allowed between the tractor and the machine;
6. Noise – the equivalent sound pressure emission corrected by A characteristics (LpA) does not exceed 70 dB;
7. When connecting the hydraulic lines to the tractor's hydraulic system the operator must make sure that the system is not under pressure; the operator must check the positions of the tractor hydraulic system control levers;
8. It is only allowed to operate the hydraulic elements when no person is nearby;
9. The hoses and pipes in the hydraulic lines must be checked on a regular basis and replaced with new ones if they are damaged;
10. All hydraulic lines must be replaced every 6 years;
11. Lifting, lowering, folding, unfolding, and moving the machine should be done slowly and without jerking movements;
12. It is forbidden to reverse the tractor and make turns when the machine is lowered to its working position;
13. When turning, bear in mind that there are protruding elements in the machine, the use of tractor's independent brakes must be avoided;
14. The user must check the tyre pressure on the tractor and on the machine;
15. During transport no person should be allowed to stand on the machine nor any load may be placed on it;
16. Any repairs, lubrication or cleaning of the service assembly required during work may only be performed with the engine turned off and the machine lowered;
17. Uncouple the machine only when its service assembly rest on stable firm ground and the engine is off;
18. The machine may only be stored in its unfolded position and resting on all service assemblies;
19. When not in use, the machine should be stored in places where it cannot be accessed by unauthorised persons and animals;
20. During operation, use appropriate protective clothing and shoes with anti-slip soles;
21. Follow the traffic code regulations and the manufacturer's recommendations when travelling on public roads, see section 8.2;
22. Before entering public roads, perform a visual inspection of the transported machine;
23. It is forbidden to operate the cultivator while under influence of alcohol;
24. It is forbidden to operate the cultivator while under influence of drugs or medicinal products with narcotic effects.

2. DRIVE OPERATION

2.1. COUPLING THE CULTIVATOR WITH THE DRIVE

The cultivator is coupled with the tractor in the following way:

- Reverse the tractor to a distance which allows to couple the machine with the tractor's lower hitch.
- Couple the upper 3-point hitch link to the cultivator and remove any play; then level the cultivator.
- Connect the electric power supply and do a functional test (the lighting system is an optional accessory).
- Connect the hydraulic line and check for proper seal.
- Lift the cultivator and verify that the tractor front axle load is over 20% of the tractor weight. The tractor should remain fully steerable. See section 2.3.
- The machine should be adjusted during the first pass.

2.2. DECOUPLING THE CULTIVATOR FROM THE DRIVE

To decouple the cultivator from the tractor, it is required to perform the following actions:

- Make sure that there are no bystanders, especially children, in the coupling area.
- Place the cultivator for storage on a hard, flat and level ground.
- Disconnect the electric power supply (if applicable).
- Disconnect the hydraulic line.
- Disconnect the 3-point upper link and the tractor lower links.

2.3. STABILITY OF THE TRACTOR/CULTIVATOR ASSEMBLY

The tractor should have appropriate ballast at its front end to provide proper steering and braking performance. The tractor axle load with the cultivator on the hitch must be at least 20% of the tractor's own weight (see Fig. 8).

Remember that the road and the coupled machine influence the driving characteristics. The driving style should be adjusted to terrain conditions and type of soil.

While negotiating corners with the coupled or suspended machine, it is important to bear in mind the reach and weight of the machine.

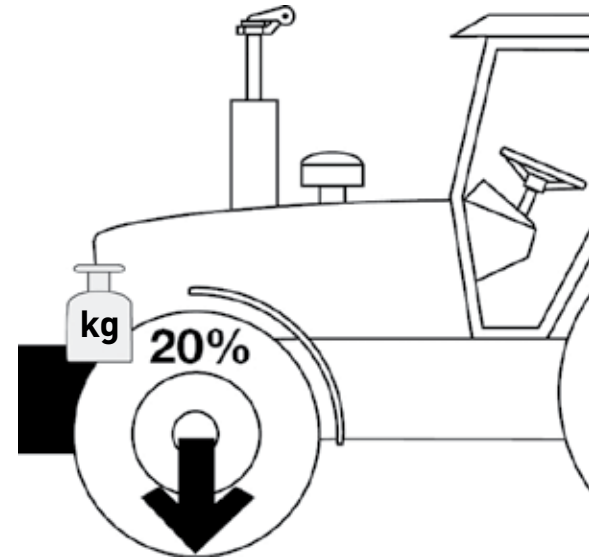


Fig. 8. Minimum load on the tractor front axle.

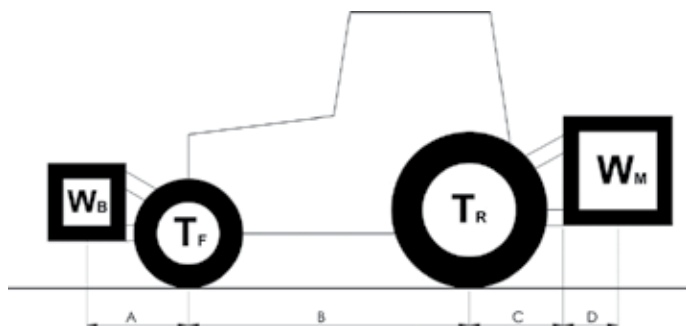


Fig. 9. Static stability

The following data is required for the calculations:

$$W_B = (W_M * (C + D) - T_F * B + 0.2 * T_C * B) / (A + B)$$

A [m] – distance between the centre of gravity of the front ballast / front mounted equipment and the centre of the front axle;

B [m] – distance between the tractor wheels;

C [m] – distance between the centre of the rear axle and the lower link ball;

D [m] – distance between the lower link ball and the centre of gravity of the rear mounted machine.

T_C [kg] – tractor own weight;

T_F [kg] – front axle load of an unloaded tractor;

T_R [kg] – rear axle load of an unloaded tractor;

W_M [kg] – total weight of the machine installed in the rear;

W_B [kg] – total weight of the front ballast / front mounted machine.

3. COMMISSIONING



CAUTION!

Before commissioning the cultivator, read and understand this manual, and pay special attention to the sections concerning the safety of the operator and bystanders.



IMPORTANT

If there are any doubts about safety, please contact your sales representative or the manufacturer.

4. ONGOING ADJUSTMENTS

Adjust the teeth service depth with the two adjustment bolts shown in Fig. 10.

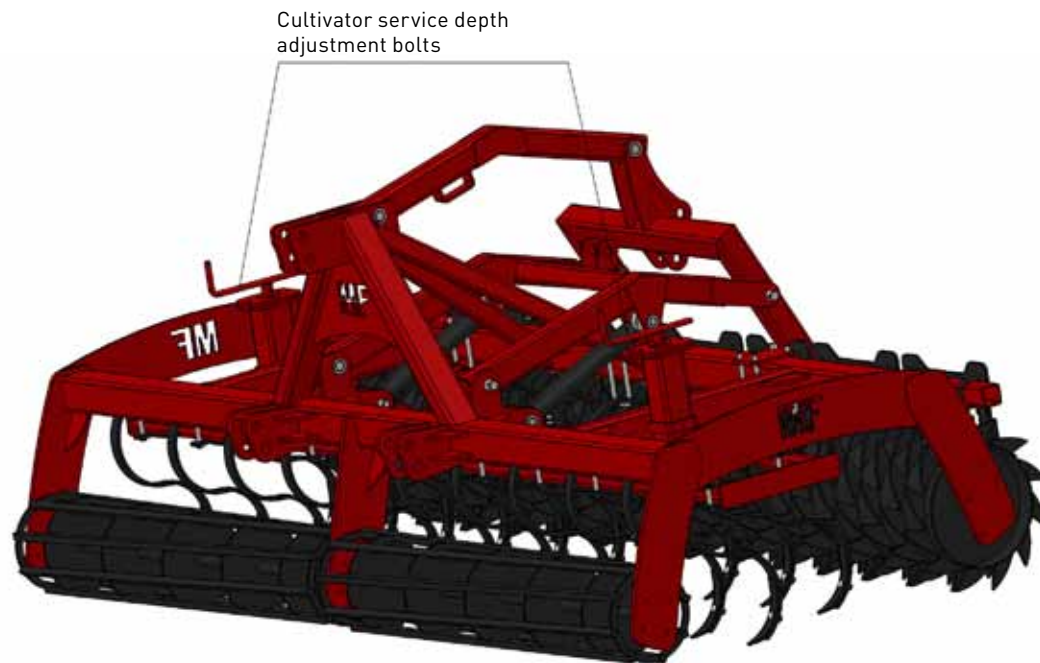


Fig. 10. Cultivator spring teeth service depth adjustment

5. OPERATING THE CULTIVATOR

Before commencing fieldwork with the machine, do the following:

- check the condition of the bolted joints – if any play is found, retighten the bolts and nuts
- check the folding and unfolding of the hydropack (if equipped)
- check the hydraulic lines; replace if necessary
- remove the warning signs
- set the cultivator service depth
- lower the tractor lift to the set service depth.

If the cultivator is clogged with vegetation remains, it must be cleared by operating the tractor hydraulic system to raise the machine for a short time.

The machine should be adjusted during the first pass.

If the machine is properly levelled, the frame is parallel to the field's surface.



CAUTION!

- Avoid jerky movements while operating the cultivator.
- Make turns gently, with the machine raised in the transport position.
- Do not reverse or turn the tractor around with the machine in the working position as it may cause damage to the machine.

5.1. OPERATION OF A CULTIVATOR WITH THE HYDROPACK COUPLED TO A SEEDER

The cultivator fitted with the hydropack can be coupled with a seeder by the three-point hitch. The hydropack position is shifted from transport to service by a pair of hydraulic actuators. In order to set the proper service position, adjust the TPH upper link.

Adjust during the first pass. Secure the cultivator in the transport position as shown in Fig. 11.

Hydropack locking pin for securing the transport position

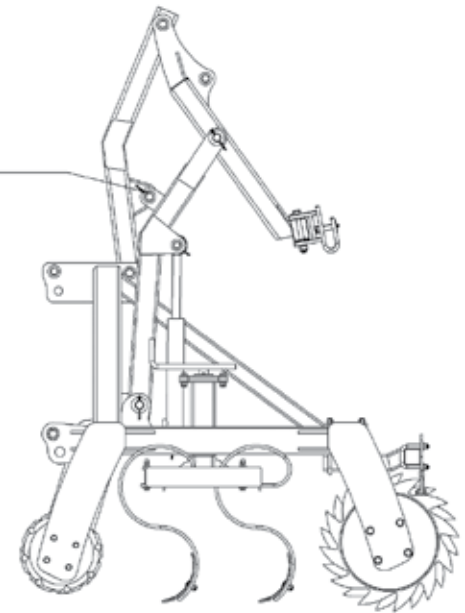


Fig. 11. Securing the cultivator in the transport position

5.2. HYDROPACK SYSTEM

Before starting, always check the hydraulic lines and leaktightness of the entire system. Connect the supply line to the tractor hydraulic system.

Verify the oil purity grade before connecting; inferior purity of oil may result in failure of the hydraulic system. Keep the oil clean.

The oil purity in the tractor hydraulic power circuit must meet the 20/18/15 requirement according to ISO 4406-1996.

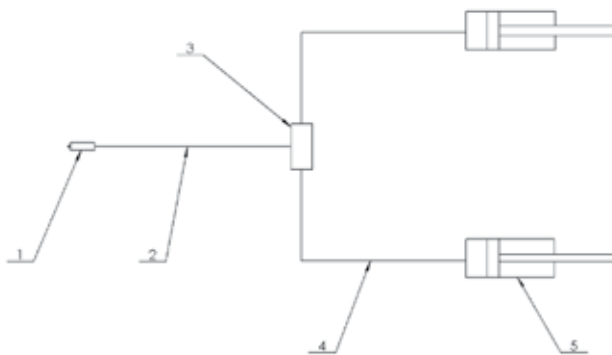


Fig. 12. Hydropack hydraulic system diagram

- 1 - Euro 13 valve-plug;
- 2 - Hydraulic line, AA90/111/10 L-700;
- 3 - Partition tee-connector, 18x1.5;
- 4 - Hydraulic line, AA/111/10 L-2000;
- 5 - Actuators, UCJ304-50-28/235.

5.3. FISHING THE WORK WITH THE CULTIVATOR

Place the machine on a hard, flat, level ground. Disconnect the electrical power supply (if the optional lighting system is installed) and the hydraulic supply line. Disconnect the 3-point upper link and the tractor lower links. Before a long period of storage the cultivator should be cleaned and all malfunctions should be repaired; also verify the paint coat. If paint touch-up is required, it is advised to use the paint repair kit supplied by the manufacturer. Protect the machine against weather conditions.

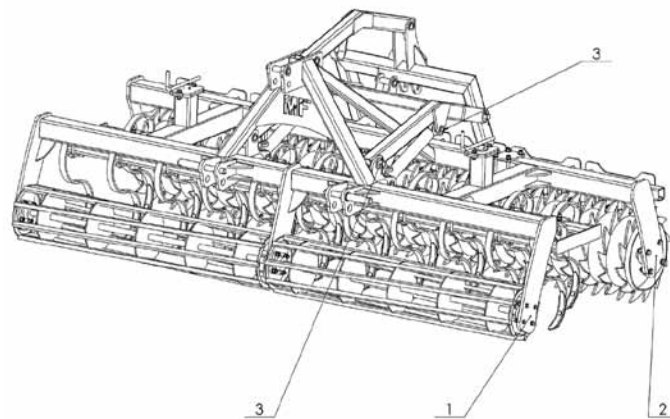


Fig. 13. Lubrication points

- 1 - Strick packer bearing assembly;
- 2 - Round packer bearing assembly;
- 3 - Hydraulic cylinders (if the hydropack option is installed).

6. PERIODIC INSPECTION

While preparing the machine for work, it is required to check its technical condition, and first of all, the condition of the service assemblies.

In addition it is required to:

- check the condition of the bolted joints – if any play is found, retighten the bolts and nuts
- check whether the packer rotates freely by turning them by hand
- lubricate the elements of the machine in accordance with the guidelines specified in section 6.1.

6.1. LUBRICATION

The durability and efficiency of the machine depends to a large degree on systematic lubrication.

Use mineral oils for lubricating the machine. Before adding grease clear the lubrication points. The lubrication should be performed according to Fig. 13. Use the LT-4S-3 grease.

Relubricate the seeder cultivator before spring and autumn.



Always relubricate the service assemblies on the U818 cultivator before spring and winter.

IMPORTANT

7. AUTHORISED SERVICE

7.1. WARRANTY SERVICE

The manufacturer issues a warranty on conditions described in the warranty card. During the period covered by the warranty, repairs shall be made at authorised service stations or at the manufacturer's service point.

7.2. ONGOING MAINTENANCE

After the warranty period, authorised service stations perform periodical inspections, adjustments and repairs.


7.3. ORDERING SPARE PARTS


Spare parts should be ordered from authorised resellers or directly from the manufacturer stating the name and surname of the user or company name and address, name, symbol, serial number and year of manufacture of the machine, catalogue name of the part, catalogue number of drawing or standard, number of ordered items and agreed terms of payment.

8. TRANSPORTING THE CULTIVATOR

8.1. LOAD TRANSPORT

The machine is supplied to the user partially disassembled. How much the machine is disassembled depends on the used mean of transport.


	The cultivator is suitable for road and rail transport using carriers with appropriate load bearing capacity.
IMPORTANT	


	While loading and unloading the machine, the parts of the frame indicated as lifting points with appropriate pictograms should be used for lifting the machine see section 1.5.
CAUTION!	

8.2. TRAVELLING ON PUBLIC ROADS

The cultivator can be driven on public roads as a machine installed on the tractor 3-point hitch (TPH).

According to the road travel safety rules /Regulation of the Minister of Infrastructure of 21.12.2002, Journal of Laws Year 2002 issue 32 item 262/. A unit consisting of a tractor with a coupled farming machine must meet the same requirements as an individual tractor.

	The machine (part of the unit consisting of the tractor and machine) is a part protruding outside the outline of the vehicle and obstructing the tractor rear lights, and as such it poses a threat to other vehicles travelling on the road.
WARNING!	

	It is forbidden to travel on the roads with the unit (tractor + machine) without appropriate marking.
IMPORTANT	

While travelling on public roads with a unit consisting of the tractor and the machine all rules of the Traffic Code specific to vehicles of this type apply, in particular:

- the cultivator hydropack must be folded to the transport position and secured with the pin against unfolding during transport
- during transport on the road, the cultivators coupled to a tractor require:
 - marking with warning plates with red and white stripes
 - lights
 - marking the elements protruding from the sides of the tractor (front marker lights – white)
 - repeated rear lights of the tractor (light clusters + reflective lights)
 - marking with a triangle plate indicating a slow moving vehicle
- do not exceed the maximum allowable transport speed, which is:
 - 20 km/h maximum on paved roads;
 - 6 to 10 km/h on dirt roads or cobblestone;
 - 5 km/h maximum on uneven roads.

The speed must be adapted to road conditions and the condition of the road surface.

Special caution must be taken while passing or overtaking other vehicles and on corners. The maximum allowable width of the machine on public roads is 3.0 m.

8.3. LIGHT SIGNALLING (OPTIONAL)

Before entering public roads a warning plate with red and white stripes, signal lights and a bracket for the plate indicating slow moving vehicles must be installed (the means for installation are specified in Fig. 14). The power supply line shall be connected with the tractor's electric system, and a triangle plate must be installed in the bracket. A warning plate with lights is a optional part of the machine and is supplied on request (as a separate purchase).

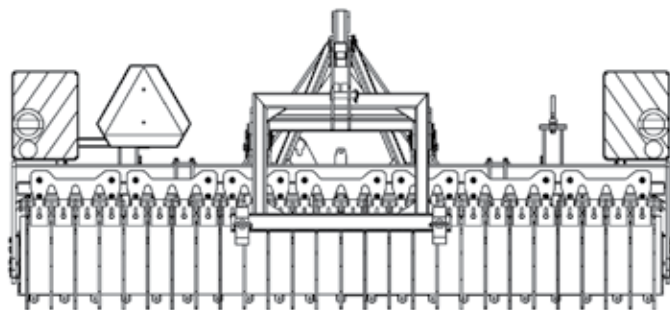


Fig. 14. Installation of the lighting system on the machine

9. CULTIVATOR STORAGE

Store the cultivator extended on a hard, flat, and level surface.

When the working season is over, clean the cultivator and check the condition of the protective paint coating. If paint touch-up is required, it is advised to use the paint repair kit supplied by the manufacturer.

Check the hydraulic system components; replace if damaged.

Check the condition and legibility of the nameplate. If the plate is damaged, notify the service station.

Check the condition and legibility of the symbols. If they are damaged, replace them with new ones.

Plug the hydraulic line ends.



CAUTION!

Store the cultivator in an atmosphere free of aggressive agents (e.g. ammonia, chemicals).

10. TROUBLESHOOTING

Item	Problem	Cause	Remedy
1.	The packer does not rotate or resists	The packer is clogged with soil and plant remains	Clean the packer
		Damaged packer bearing assembly	Replace and relubricate the packer bearings
2.	Hydropack is not lifted	Incorrect connections of the hydraulic lines	Verify the connections of the hydraulic lines
		Damaged hydraulic line	Replace with a new hydraulic line
		Hydraulic system is obstructed	Check for obstructions, remove if any and change the oil
		No oil in the tractor system	Check the tractor oil level and refill if low

11. DISMANTLING, DISPOSAL AND ENVIRONMENTAL PROTECTION

The cultivator is made of materials which do not pose a threat to the environment. After its service life expires and further operation is no longer justified the machine must be dismantled.

Due to the heavy weight of the parts it is required to use lifting devices such as a gantry crane or a forklift during the dismantling process.

Segregate the dismantled components. Pass the dismantled components to relevant collection points. Waste oil from the hydraulic system should be collected in sealed containers and released to a point which collects such waste.



CAUTION!

During disassembly of the cultivator, use proper protective clothing and shoes.

12. RESIDUAL RISKS

12.1. DESCRIPTION OF RESIDUAL RISKS

The residual risk stems mostly from improper behaviour of the operator caused by lack of knowledge or attention. The highest residual risk occurs in the following situations:

- the machine is operated by minors or persons who are unfamiliar with the operating instructions
- the machine is operated by persons under the influence of alcohol or other intoxicants
- using the cultivator for purposes other than its intended use defined in the operating instructions
- a person is present between the tractor and the machine with the tractor's engine running
- bystanders, especially children are present near the working machine
- the machine is cleaned while working
- manipulation of the moving elements while the machine is working
- checking the machine technical condition

While presenting the residual risk the machine is treated as designed according to the state of knowledge in the year of its manufacture and maintaining the basic OHS rules.

12.2. EVALUATION OF THE RESIDUAL RISK

If the following guidelines are adhered to the occurrence of residual risk may be minimised:

- Always follow the safety regulations described in the operating instructions.
- Read and fully understand the operating instructions.
- Keep your hands away from hazardous spaces.
- It is forbidden to operate the machine in the presence of bystanders and children in particular.

- Maintenance and repair of the machine may only be performed by trained personnel.
- The machine may only be operated by persons who have been trained in its operation and have familiarised themselves with the operating instructions.
- The machine is protected against access of children.
- The machine is operated by persons in good physical condition who are not under the influence of any intoxicants.



13. WARRANTY CONDITIONS

1. Before work, the user shall read and understand the Operating Manual in full to avoid failure by negligence. Failure to properly operate the machine will compromise the performance and void all warranty rights.
2. The manufacturer provides the cultivator which has been designed and built in compliance with the current standards. The manufacturer guarantees that the supplied cultivator is free of manufacturing defects.
3. Metal-Fach Sp. z o.o. provides warranty service for 12 months starting from the date of first sale, provided that the cultivator is used as intended and the Manual is strictly followed.
4. The warranty card properly filled in at the Dealership is the confirmation of the manufacturer's warranty; the acceptance of the warranty conditions must be confirmed by the customer's signature.
5. The warranty covers the following defects:
 - incorrect assembly
 - incomplete delivery
 - workmanship faults of parts or assemblies
 - hidden faults of material
 - damage in transport (if carried by the manufacturer)
6. The warranty does not cover any damage of the hydraulic system caused by contaminated hydraulic oil. The oil purity grade in the tractor hydraulic power system must meet the 20/18/15 requirement according to ISO 4406-1996.
7. The warranty does not cover wearing parts worn in normal operating conditions, i.e. the coulters and springs, the hydraulic lines, packer rakes, bearings, fluids and lubricants, and light bulbs.
8. The warranty does not cover any mechanical damage or other damage resulting from improper use, improper maintenance or improper adjustment of the cultivator.
9. The warranty does not cover any damage resulting from improper storage of the cultivator.
10. Any unauthorised modifications of the design of the machine made by the user will result in automatic termination of the warranty.
11. The manufacturer shall not be held responsible for any loss, damage or destruction of the product resulting from causes other than defects of the supplied machine.
12. During the warranty period the manufacturer will repair any defects which occurred as a result of the manufacturer's negligence with the exception of defects listed in items from 6 to 10.
13. Warranty repairs shall be made within 14 working days of the notification/supply of the cultivator to the designated service station or at another time agreed upon.
14. The warranty is extended by the time required to complete the repair.
15. During the warranty period all repairs which are not covered by the warranty are performed by authorised service stations at full cost chargeable to the user.
16. During the warranty period all repairs which are not covered by the warranty are performed by authorised service stations at a full cost chargeable to the user. Before such repairs, the service station will inform the user of the suggested cost, time and scope of the repair.
17. The decision whether to commence a chargeable repair of the cultivator with the warranty valid at the time of repair is made by the customer.



CAUTION!

Current information about the products is available at www.metalfach.com.pl

METAL-FACH

16-100 SOKÓŁKA, POLAND

UL. KRESOWA 62

WARRANTY CARD

CULTIVATOR

U818

The warranty service is provided on behalf of the manufacturer by:

filled out by the seller

Date of manufacture	Date of sale
Serial number	Dealer's signature
Customer's name and surname		
Address		
	Buyer's signature		

A large area of the page is filled with horizontal dotted lines, organized into two columns. Each column contains 15 rows of these dotted lines, providing a space for handwritten notes.

SALES METAL-FACH®

16-100 Sokółka, ul. Kresowa 62
tel.: +48 85 711 98 44, fax: +48 85 711 07 89
handel@metalfach.com.pl

SUPPORT SERVICE METAL-FACH®

16-100 Sokółka, ul. Kresowa 62
tel.: +48 85 711 07 80, fax: +48 85 711 07 93,
serwis@metalfach.com.pl

SPARE PARTS & SHOP METAL-FACH®

16-100 Sokółka, ul. Kresowa 62
tel.: +48 85 711 07 81, fax: +48 85 711 07 93,
sklep.mf@metalfach.com.pl

METAL-FACH®

METAL-FACH Sp. z o.o. Ul. KRESOWA 62; 16-100 SOKÓŁKA